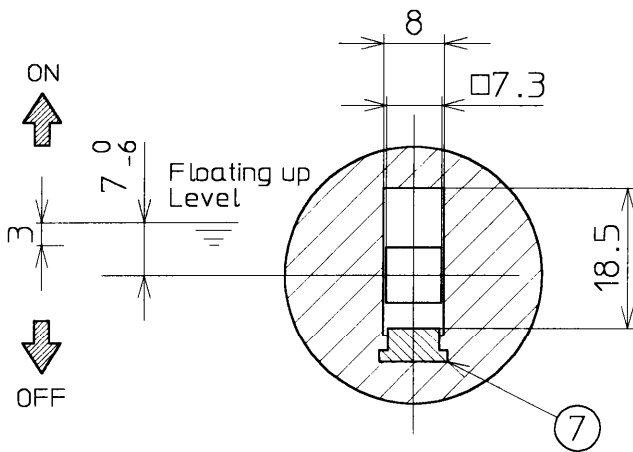
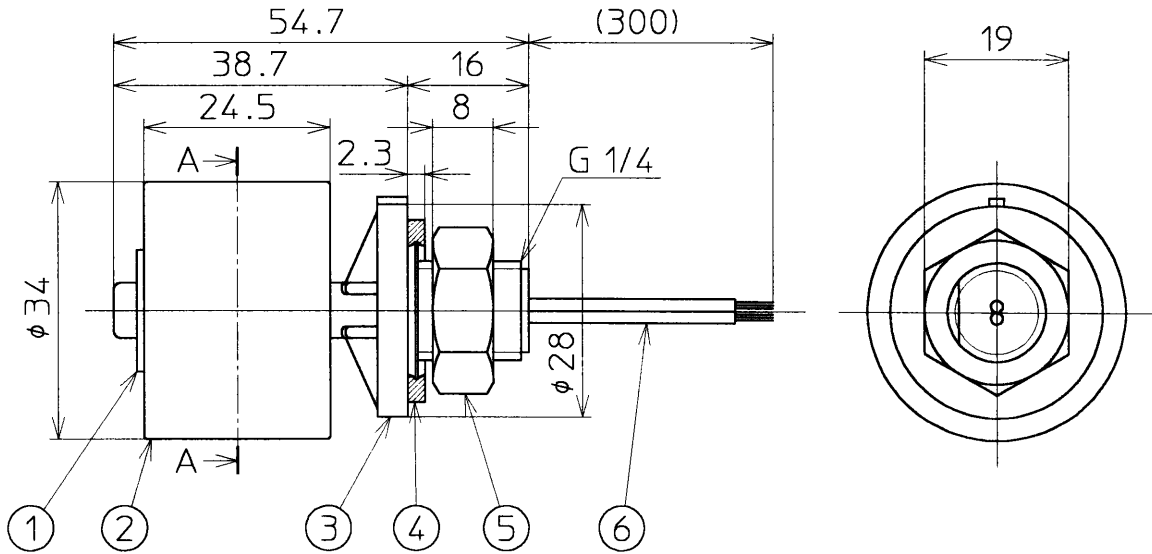
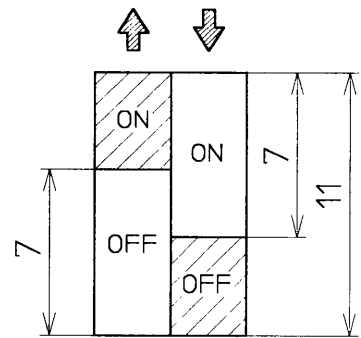


REVISIONS				
REV	DATE	DESCRIPTION	BY	APP. BY
△				
△				
△				

DRAWING NO. CA 123055



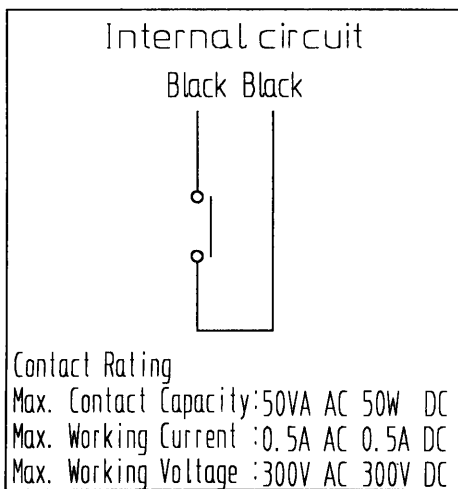
Sectional view : AA



Operation characteristics

Note

· Actuation Level (SG=1.0)



Lead wire : UL 1430 AWG22

7	Magnet	1	Ferrite
6	Lead wire	2	XLPVC
5	Fitting nut	1	PP
4	Gasket	1	EPDM
3	Stem	1	PP
2	Float	1	Foamed PP
1	Float travel stop	1	Polyacetal
P.No.	Name	Qty.	Material

DATE	05-15- '96	DR. BY	<i>[Signature]</i>
SCALE	N.T.S.	CH. BY	<i>[Signature]</i>
UNITS	MILLIMETERS	APP. BY	<i>[Signature]</i>

TITLE OUTLINE DRAWING OF
MINIATURE FLOAT SENSOR

MODEL OLH-3

DRAWING NO. CA 123055



NOHKEN INC.
OSAKA, JAPAN