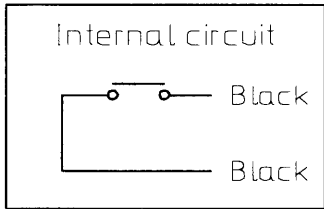
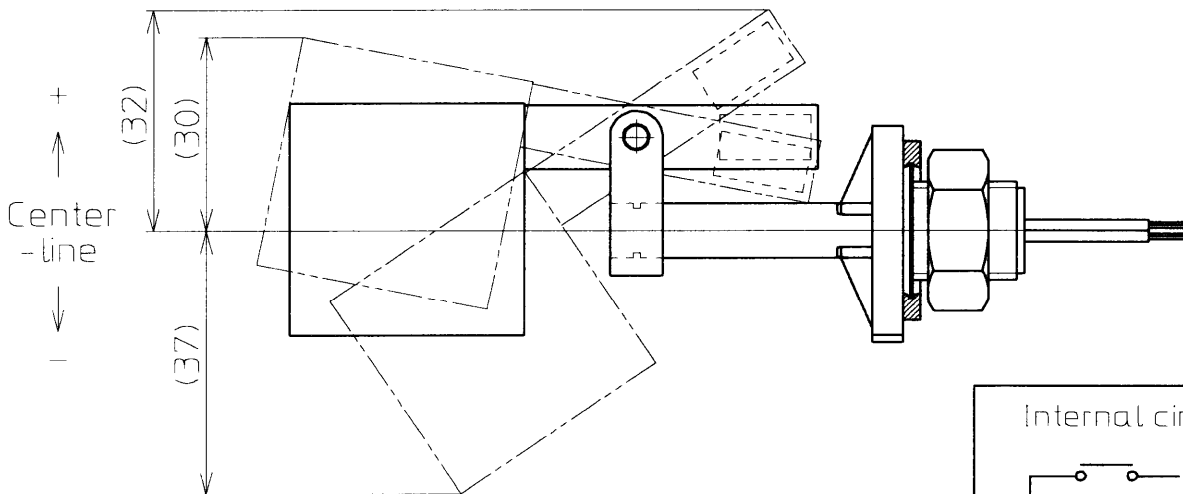
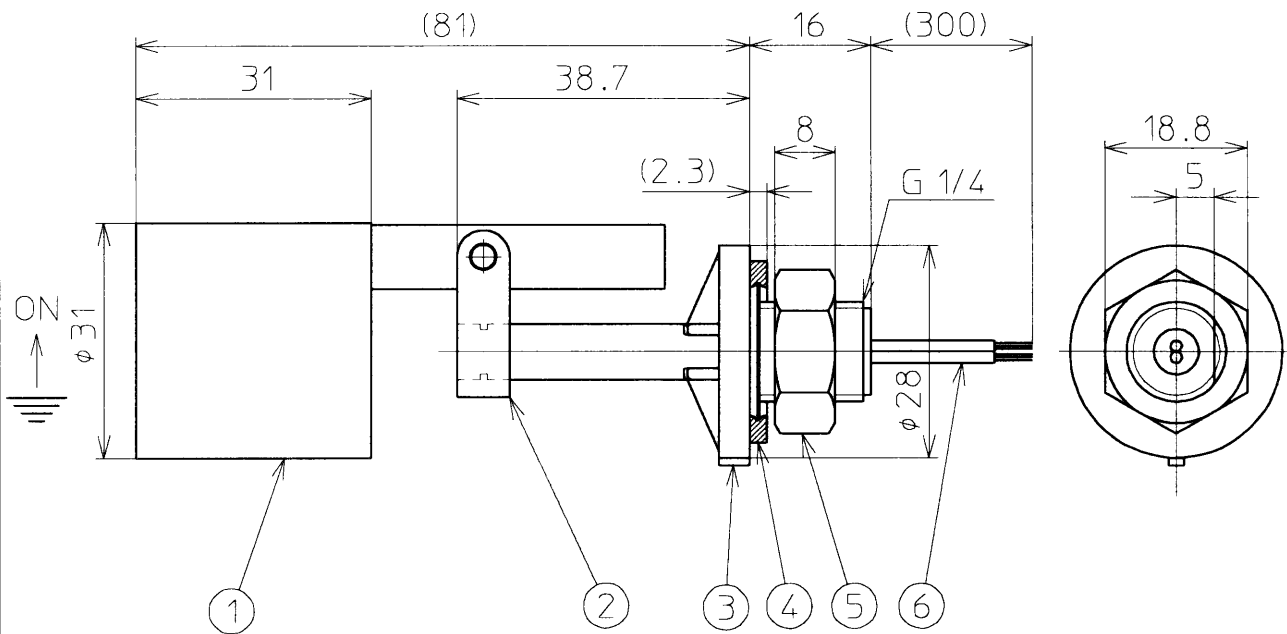


| REVISIONS | | | | |
|-----------|------|-------------|----|---------|
| REV | DATE | DESCRIPTION | BY | APP. BY |
| △ | | | | |
| △ | | | | |
| △ | | | | |

DRAWING NO. SA 901161 △



Specification

- 1. Working temperature : -10 to +90 °C
- 2. Withstand pressure : Max. 100 kPa
- 3. Specific gravity : Min. 0.5
- 4. Tensile strength for lead wire : Max. 20 N
- 5. Switch actuation level in water
 Contact closes : -8 ± 5 mm (specific gravity 1.0)
 (Distance from sensor center-line)
 (In case of rising level)
- 6. Hysteresis of switch : 5 ± 4 mm
- 7. Contact rating (With resistive load)
 Max. contact capacity : 50VA AC 50W DC
 Max. working current : 0.5A AC 0.5A DC
 Max. working voltage : 300V AC 300V DC

| 6 | Lead wire | 1 | XLPVC (UL1430 AWG22) |
|------|-------------|------|----------------------|
| 5 | Fitting nut | 1 | Polypropylene (PP) |
| 4 | Gasket | 1 | EPDM |
| 3 | Stem | 1 | Polypropylene (PP) |
| 2 | Float | 1 | Polypropylene (PP) |
| 1 | Float guide | 1 | Polypropylene (PP) |
| P.No | Name | Qty. | Material |

| | |
|-------------------|----------------------------|
| DATE 07-29-'99 | DR. BY <i>K. Iwano</i> |
| SCALE N.T.S. | CH. BY <i>T. Matsuda</i> |
| UNITS MILLIMETERS | APP. BY <i>T. Miyajima</i> |

| | | |
|-------------|---|--|
| TITLE | OUTLINE DRAWING OF MINIATURE FLOAT SENSOR | |
| MODEL | OLH-10 | |
| DRAWING NO. | SA 901161 △ | |



NOHKEN INC.
OSAKA, JAPAN