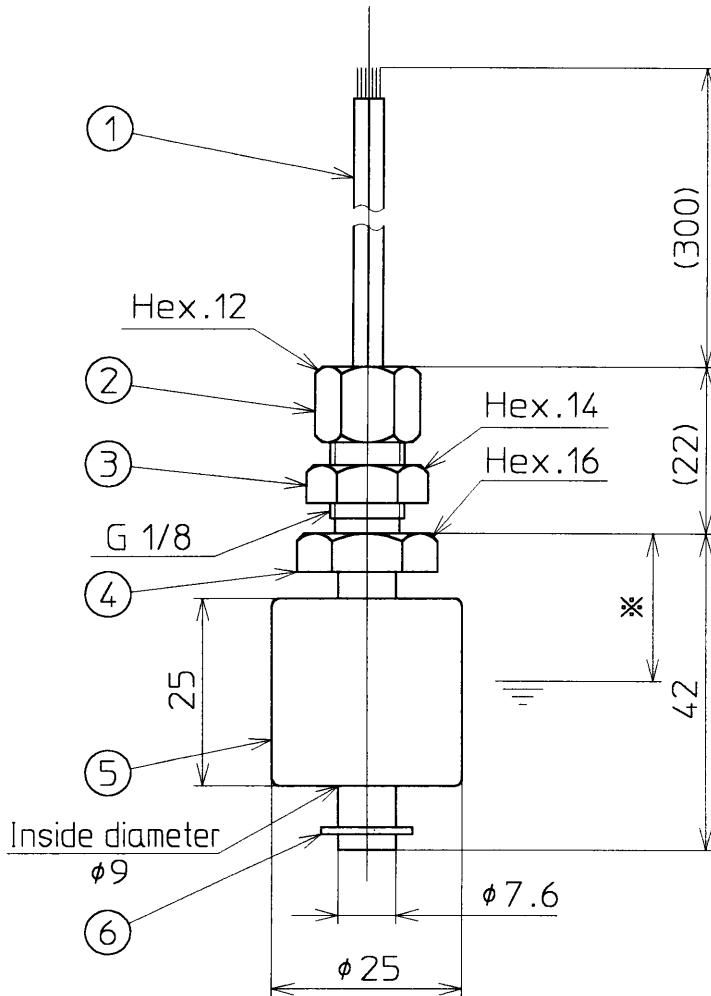
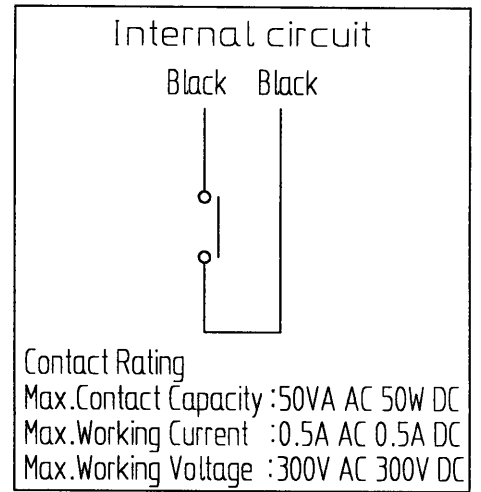


REVISIONS				
REV	DATE	DESCRIPTION	BY	APP.BY
△				
△				
△				

DRAWING NO. CA 123049



Note \*  
 · Actuation Level (SG=1.0)

↑ ON	19.5mm ±2
↓ ON	21.5mm ±2

- Standard setting is ↓ ON
- The operation of the switch, ↓ ON or ↑ ON, is easily changed by removing a float travel stop and inverting the float.

Lead wire : UL1430 AWG22

6	Float travel stop	1	316 Stainless steel
5	Float	1	Foamed NBR+ Phenolic
4	Housing	1	Brass (Nikel plating)
3	Fitting nut	1	Brass (Nikel plating)
2	Union nut	1	Brass (Nikel plating)
1	Lead wire	2	XL PVC
P.No.	Name	Qty.	Material

DATE	05-15-'96	DR.BY	<i>[Signature]</i>
SCALE	N.T.S.	CH.BY	<i>[Signature]</i>
UNITS	MILLIMETERS	APP.BY	<i>[Signature]</i>
		<b>NOHKEN INC.</b> OSAKA, JAPAN	

TITLE	OUTLINE DRAWING OF MINIATURE FLOAT SENSOR		
MODEL	OLV-2B		
DRAWING NO.	CA 123049		