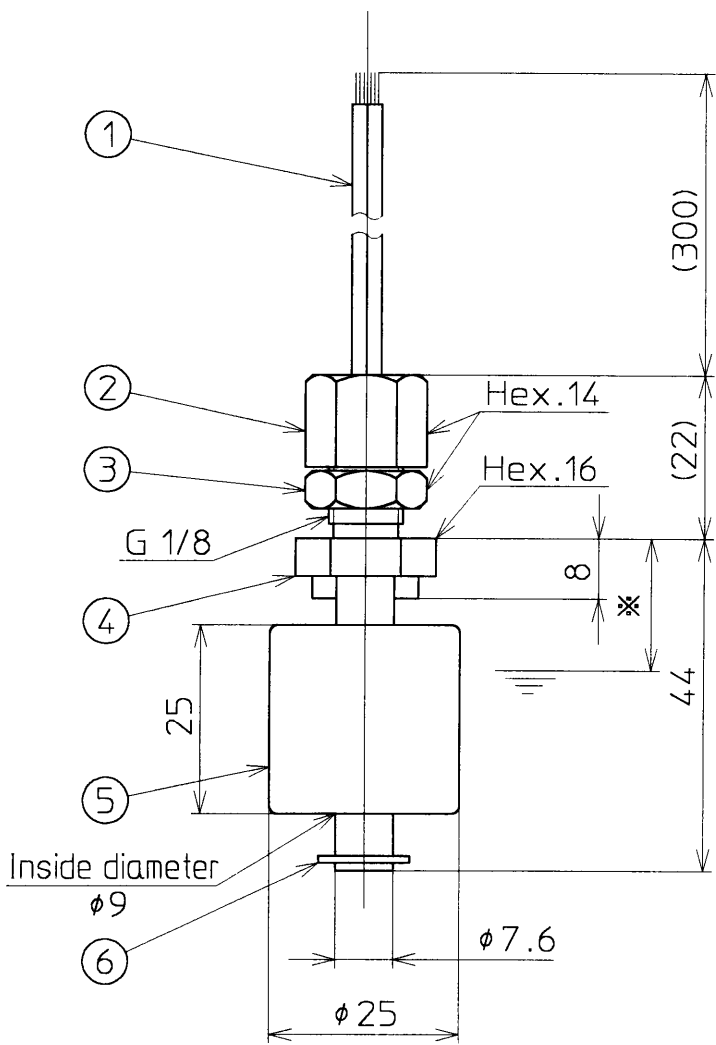
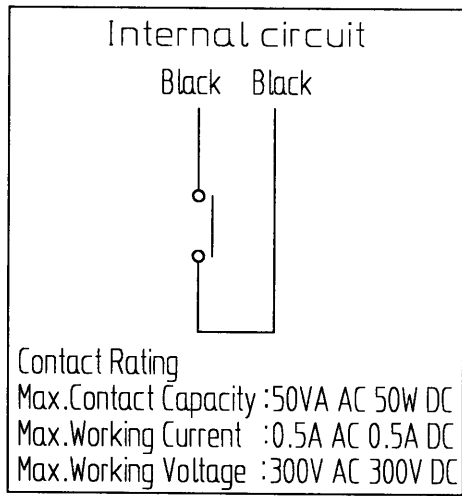


REVISIONS				
REV	DATE	DESCRIPTION	BY	APP.BY
△				
△				
△				

DRAWING NO. CA 123051



Note ※  
 · Actuation Level (SG=1.0)

↑ ON	17mm ±2
↓ ON	20mm ±2

· Standard setting is ↓ ON  
 · The operation of the switch, ↓ ON or ↑ ON, is easily changed by removing a float travel stop and inverting the float.

Lead wire : UL1430 AWG22

6	Float travel stop	1	PP
5	Float	1	Foamed PP
4	Housing	1	PP
3	Fitting nut	1	PP
2	Union nut	1	PP
1	Lead wire	2	XL PVC
P.No.	Name	Qty.	Material

DATE	05-15-'96	DR.BY	<i>[Signature]</i>
SCALE	N.T.S.	CH.BY	<i>[Signature]</i>
UNITS	MILLIMETERS	APP.BY	<i>[Signature]</i>

TITLE OUTLINE DRAWING OF  
 MINIATURE FLOAT SENSOR

MODEL OLV-2P



DRAWING NO. CA 123051