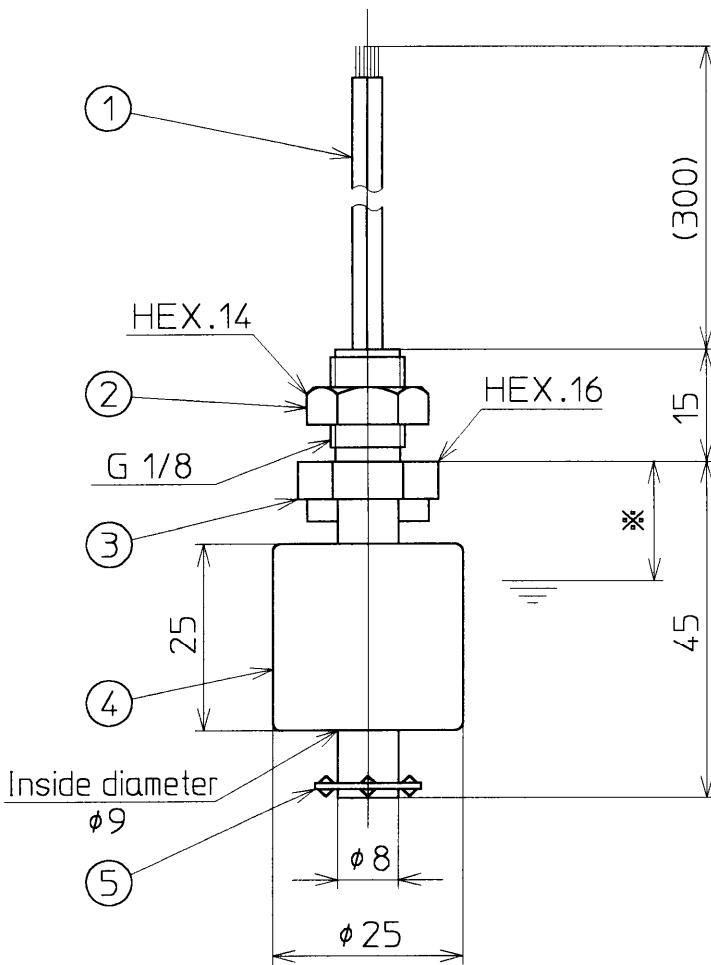
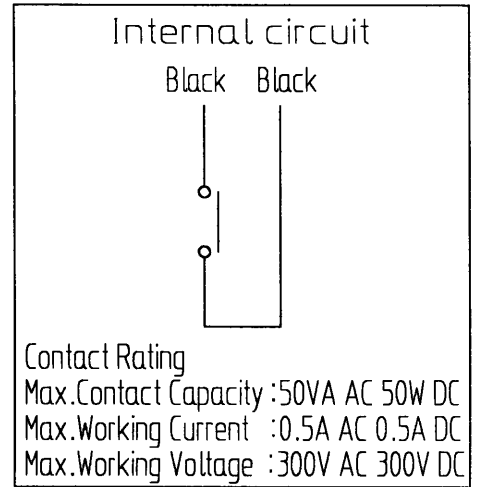


REVISIONS				
REV	DATE	DESCRIPTION	BY	APP. BY
△				
△				
△				

DRAWING NO. CA 123053



Note *
 · Actuation Level (SG=1.0)

↑ ON	16.5mm ±2
↓ ON	19mm ±2

- Standard setting is ↓ ON
- The operation of the switch, ↓ ON or ↑ ON, is easily changed by removing a float travel stop and inverting the float.

Lead wire : UL1430 AWG22

5	Float travel stop	1	PVDF
4	Float	1	PVDF
3	Housing	1	PVDF
2	Fitting nut	1	PVDF
1	Lead wire	2	XLPVC
P No.	Name	Qty.	Material

DATE	05-15-'96	DR. BY	TITLE	
SCALE	N.T.S.	CH. BY	OUTLINE DRAWING OF	
UNITS	MILLIMETERS	APP. BY	MINIATURE FLOAT SENSOR	
				MODEL
NOHKEN INC. OSAKA, JAPAN				OLV-2F
		DRAWING NO.		CA 123053