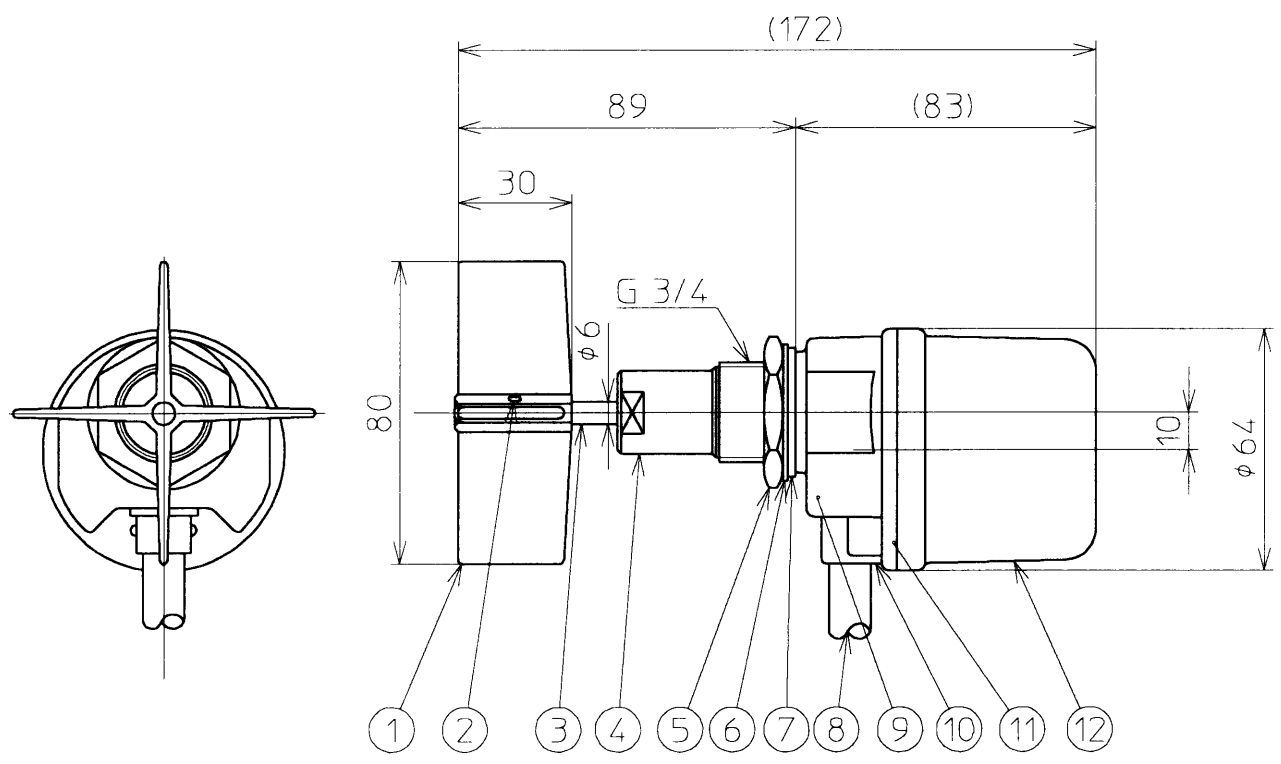


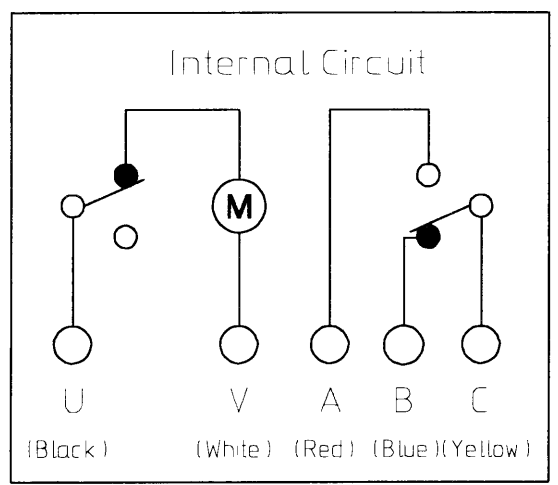
REVISIONS				
REV	DATE	DESCRIPTION	BY	APP. BY
△				
△				
△				

DRAWING NO. SA 901152 △



Electric Rated

Power Supply	V AC 50/60Hz
Contact Capacity	250V 3A AC (Resistance load) 30V 4A DC (Resistance load)
Rotational Frequency	1 r.p.m. ( $1.65 \times 10^{-2} S^{-1}$ ) (50Hz) 1.2 r.p.m. ( $2.0 \times 10^{-2} S^{-1}$ ) (60Hz)



12	Cover	1	Polycarbonate
11	Set Plate	1	Polycarbonate
10	Cable Bush	1	Polycarbonate
9	Housing	1	Aluminum Alloys Die Castings
8	Cable	0.3m	VCT 5X0.5mm <sup>2</sup>
7	Gasket	1	Acrylonitrile Butadiene Rubber
6	Washer	1	Brass(Nickel Plating)
5	Fiting Nut	1	Brass(Nickel Plating)
4	Cap	1	Brass(Nickel Plating)
3	Spindle	1	304 Stainless Steel
2	Split Pin	1	304 Stainless Steel
1	Paddle	1	Polycarbonate
P.No.	Name	Qty.	Material

DATE 07-29-'99	DR. BY <i>[Signature]</i>	TITLE OUTLINE DRAWINGT OF ROTATING-PADDLE LEVEL SENSOR	
SCALE N.T.S.	CH. BY <i>[Signature]</i>	MODEL R7-X	REFERENCE
UNITS MILLIMETERS	APP. BY <i>[Signature]</i>	DRAWING NO. SA 901152 △	
<b>NOHKEN INC.</b> OSAKA, JAPAN			