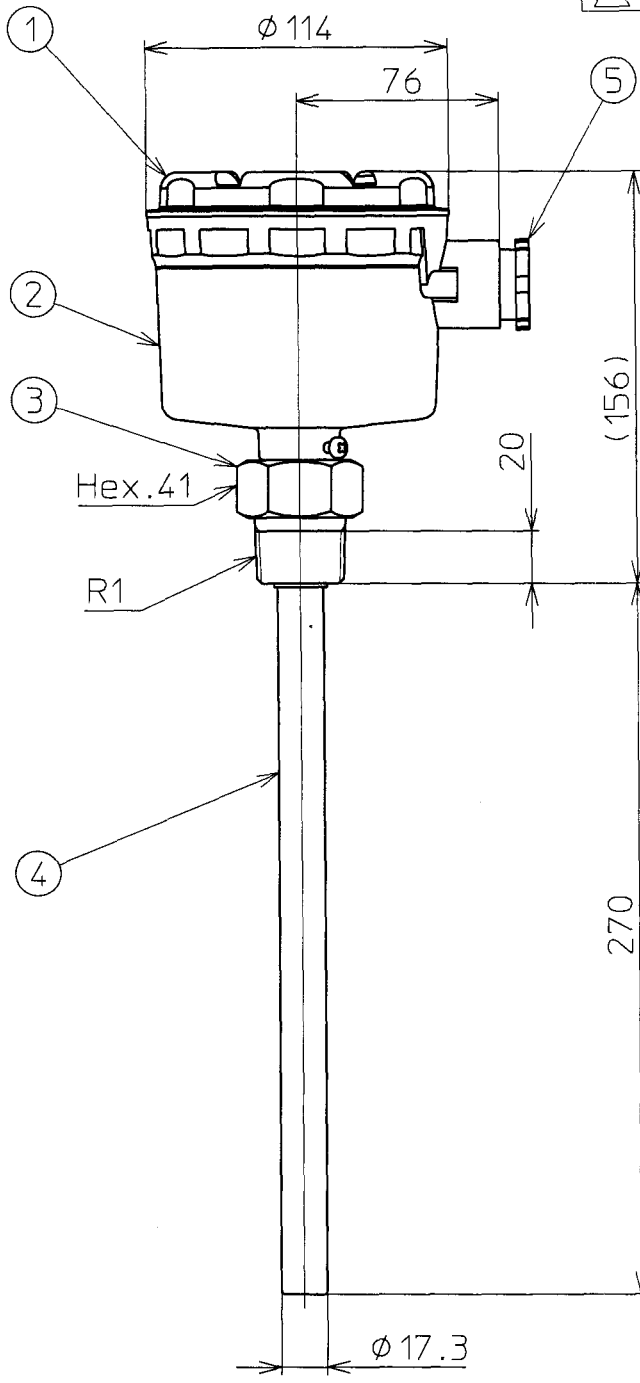


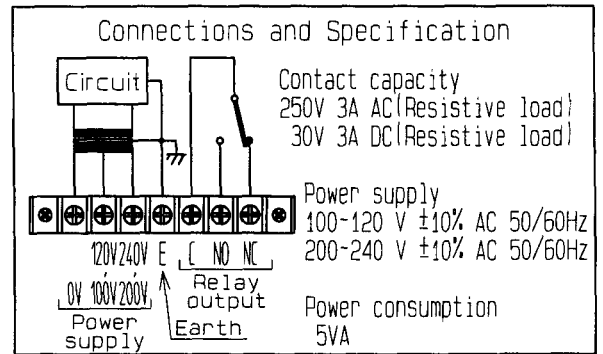
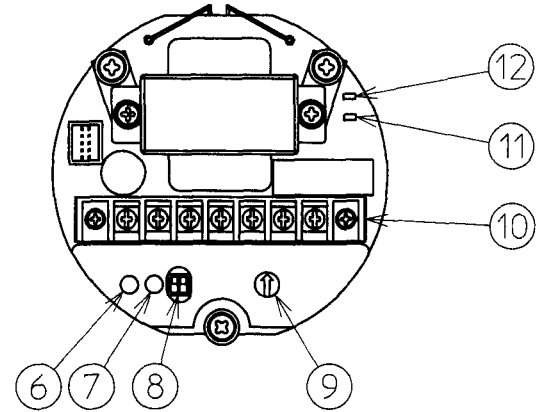
REVISIONS				
REV	DATE	DESCRIPTION	BY	APP. BY
△				
△				
△				

DRAWING NO. SA 903357△



Mounting size : R 1
 Cable inlet : JIS F 20a (G 3/4)
 Working temperature
 for Housing : -20 to +60°C
 for Detecting parts: -20 to +150°C
 Working pressure : 2 MPa Max.

Component arrangement



Notes
 Initial reset time : Approx. 15 sec.

12	Performance check point	1	
11	Sensitivity check point	1	
10	Terminals	1	
9	Sensitivity setting VR.	1	
8	Switches	1	Sensitivity setting SW.
		1	Fail-safe SW.
7	Relay lamp	1	(Red LED)
6	Power lamp	1	(Green LED)
5	Cable gland	2	Brass (C3604BD)
4	Detecting pipe	1	304 stainless steel (SUS304)
3	Plug	1	304 stainless steel (SUS304)
2	Housing	1	Aluminium die casting (ADC12)
1	Cover	1	Aluminium die casting (ADC12)
P.No.	Name	Qty.	Material

DATE 05-23-'02	DR. BY <i>[Signature]</i>
SCALE ---	CH. BY <i>[Signature]</i>
UNITS MILLIMETERS	APP. BY <i>[Signature]</i>

TITLE	OUTLINE DRAWING OF VIBRATING LEVEL SENSOR	
MODEL	VL12N	
DRAWING NO.	SA 903357△	

