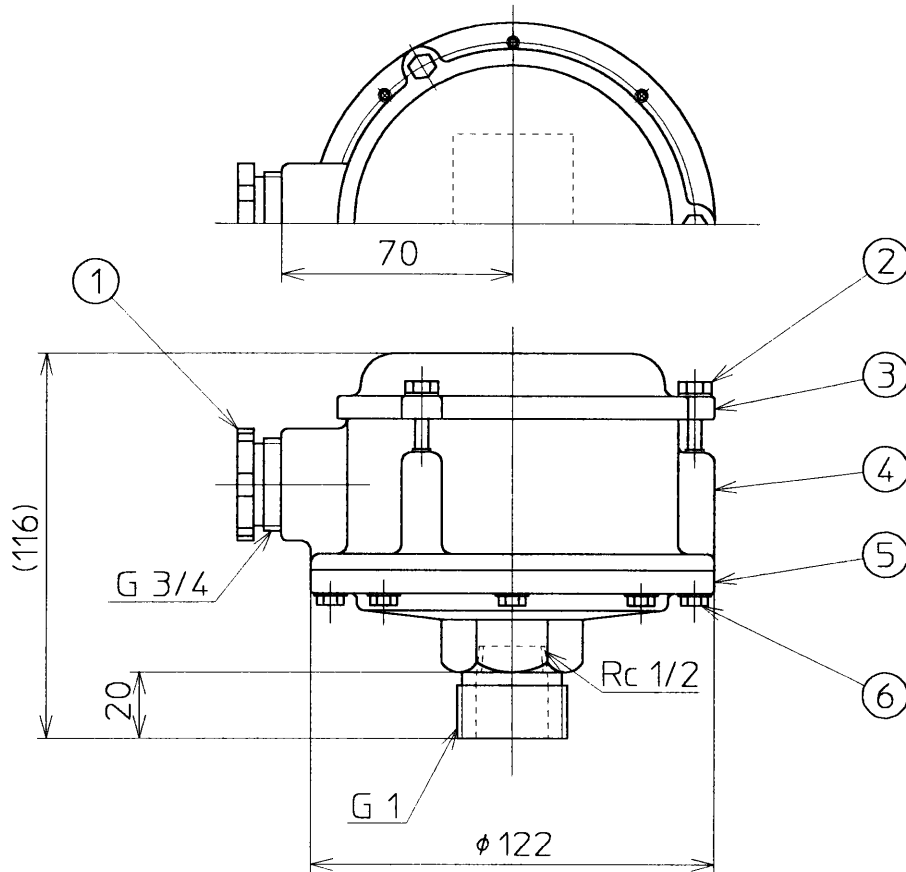


REVISIONS				
REV	DATE	DESCRIPTION	BY	APP. BY
△				
△				
△				

DRAWING NO. CA 137004

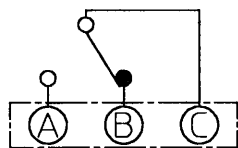


Diaphragm : CR

Cable Inlet : JIS F 20a (G 3/4)

Contact capacity	250 V 10 A AC
(Resistive load)	250 V 0.25 A DC
Operating point	80±10 mm (1/2 B l=300 Pipe)
Release point	60±15 mm (1/2 B l=300 Pipe)
Life	2×10 ⁵ Operation min

Internal Circuit



P.No.	Name	Qty.	Material
6	Bolt	8	304 Stainless steel
5	Chamber	1	Aluminium die casting (ADC 12)
4	Housing	1	Aluminium die casting (ADC 12)
3	Cover	1	Aluminium die casting (ADC 12)
2	Cover bolt	3	304 Stainless steel
1	Cable gland	1	Brass (3604BD, Nickel plating)

DATE 04-21-'95	DR. BY <i>K. Kishida</i>
SCALE N.T.S.	CH. BY <i>T. Matsuda</i>
UNITS MILLIMETERS	APP. BY <i>T. Matsuda</i>

TITLE OUTLINE DRAWING OF MODEL PNEUMATIC TYPE LEVEL SWITCH

MODEL FP-1A

DRAWING NO. CA 137004



NOHKEN INC.
OSAKA, JAPAN