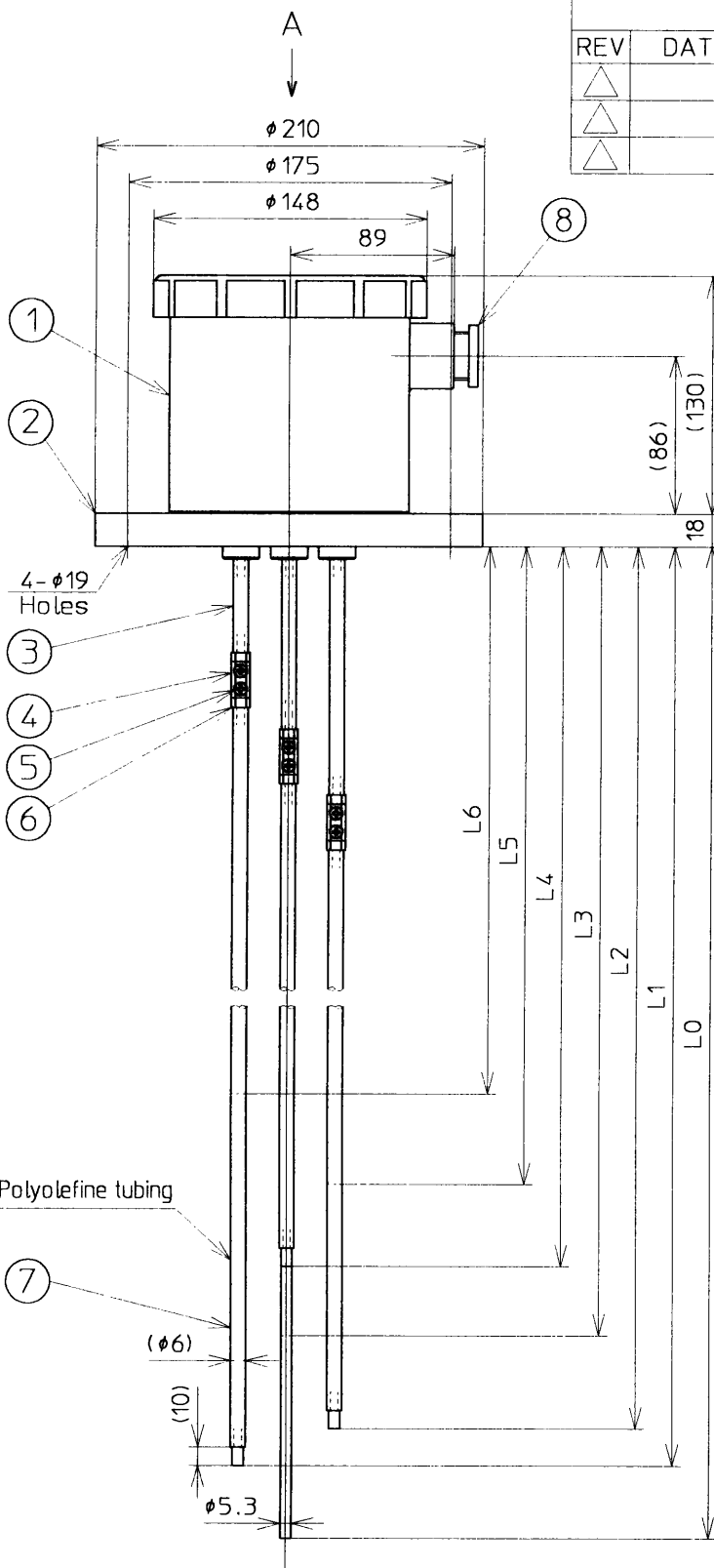
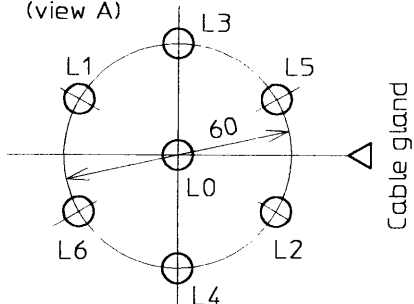


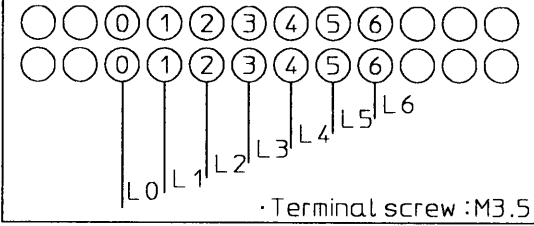
REVISIONS				
REV	DATE	DESCRIPTION	BY	APP. BY
△				
△				
△				



Layout of Electrode rod (view A)



WIRING DIAGRAM



Terminal screw : M3.5

Dimension of Electrode rod

Tag NO.			
L0			
L1			
L2			
L3			
L4			
L5			
L6			
Qty.			

Note
 ·L0 Electrode rod is not covered by tube.

Specifications

- Flange size : Equivalent JIS 10K 100A (Proviso 4 Holes)
- Cable inlet : Equivalent JIS F 20a (G 3/4)
- Working temperature : -20 to 50°C (Avoid dewing)
- Protection : IP45

8	Cable gland	1	Brass (C3604BD, Nickel plating)
7	Outside electrode rod		316 Stainless steel
6	Lock nut		316 Stainless steel
5	Lock screw		316 Stainless steel
4	Connector		316 Stainless steel
3	Inside electrode rod	7	316 Stainless steel
2	Flange	1	PVC
1	Terminal box	1	ABS
P.No.	Name	Qty.	Material

DATE	06-11-'98	DR. BY	<i>M. Toge</i>	TITLE	OUTLINE DRAWING OF ELECTRODE LEVEL SENSOR	
SCALE	N.T.S.	CH. BY	<i>A. Fujita</i>	MODEL		FE2-7
UNITS	MILLIMETERS	APP. BY	<i>M. Nozaki</i>	DRAWING NO.		SA 900512 △



DRAWING NO. SA 900512 △