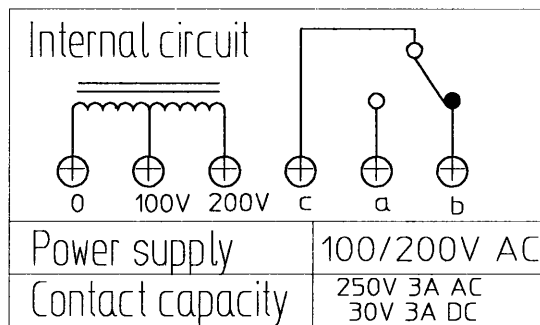
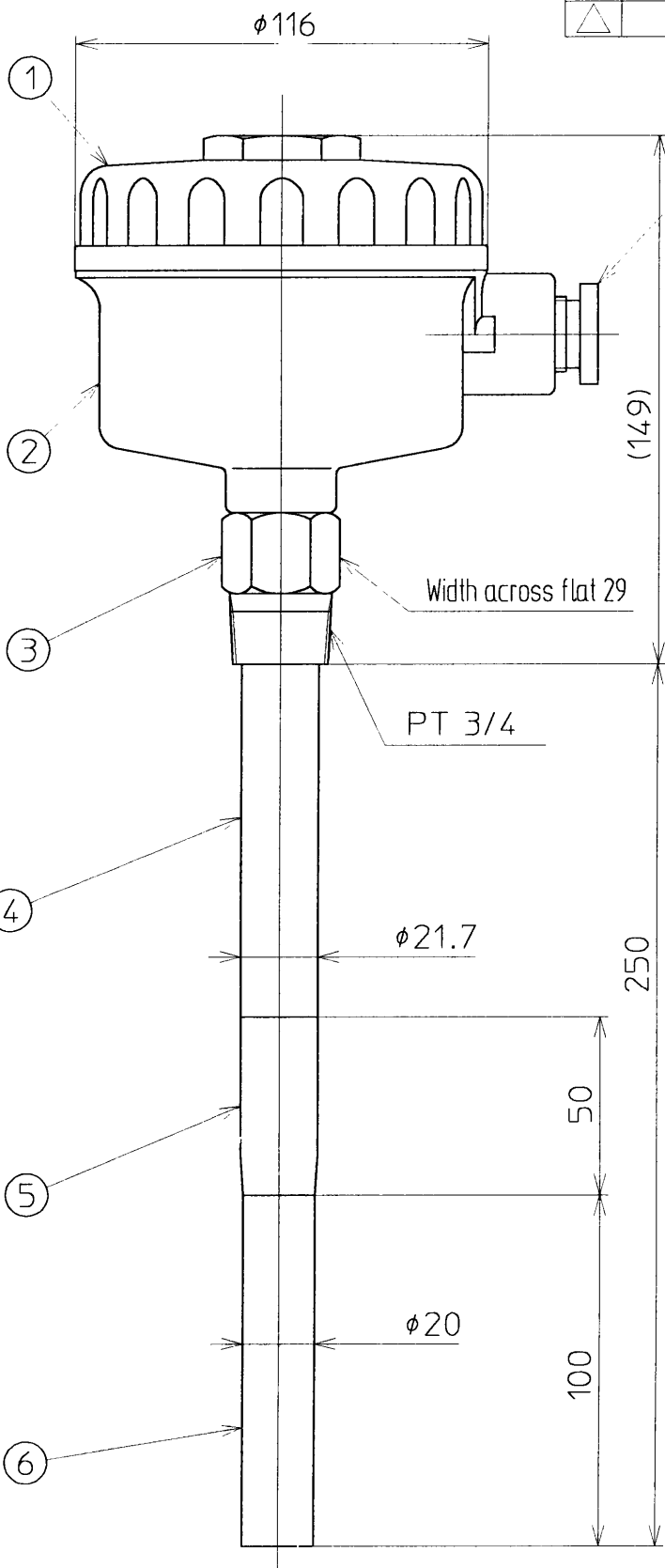


DIMS. IN	REV.	DATE	DESCRIPTION	DRAWN	APPROVED
(mm) U.O.S	△				
	△				
	△				



Cable inlet : JIS F 15c (PF 1/2)

7	Cable gland	1	Brass
6	Electrode	1	304SS
5	Insulator	1	PE
4	Earth electrode	1	304SS
3	Mounting pulg	1	304SS
2	Housing	1	ADC
1	Cover	1	ADC
P.No	Name	Qty.	Material

SCALE : —	DATE Mar.13.1991	MODEL KRV-2N	REF.NO.	TITLE OUTLINE DRAWING FOR CAPACITANCE TYPE LEVEL SENSOR
NOHKEN INC. OSAKA, JAPAN		DRAWN BY <i>[Signature]</i>	CHECKED BY <i>[Signature]</i>	APPROVED BY <i>[Signature]</i>
			DRAWING NO. SA 27224	