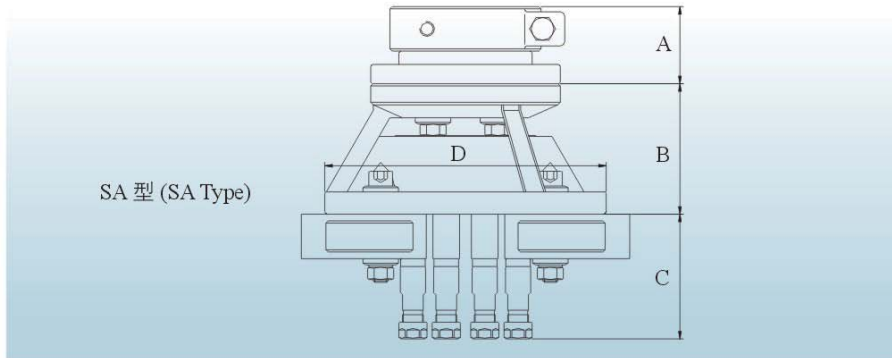
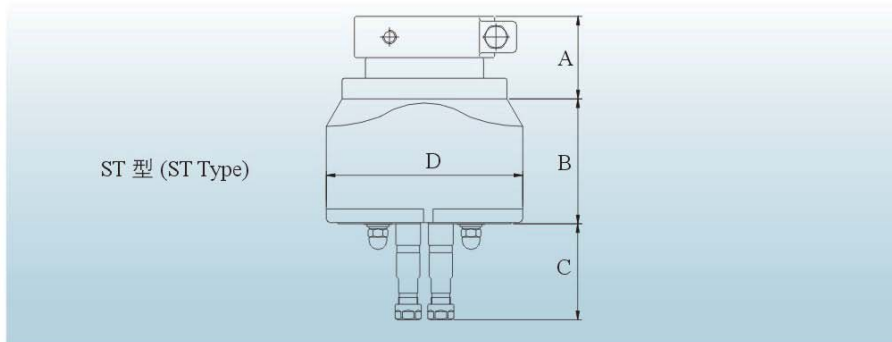


## 多軸器參數

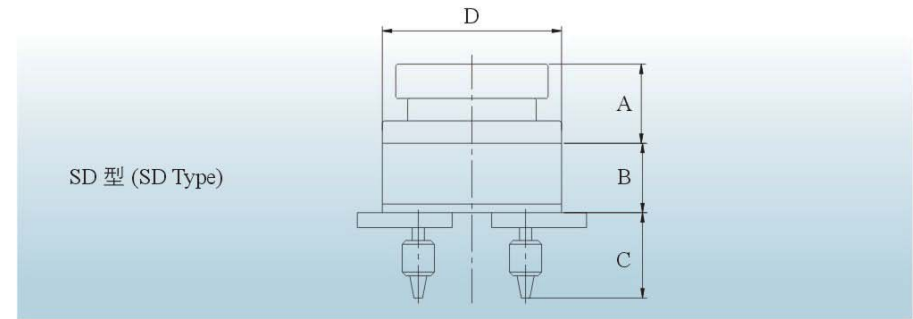
### Specs of the multi-spindle tool



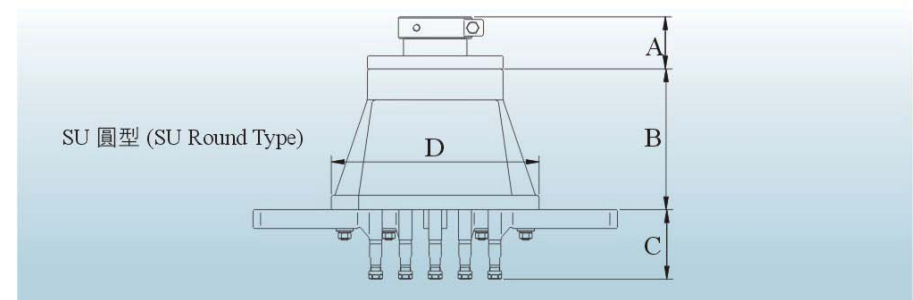
| 型號<br>Type | A        |          |          | B  | C   |      |      |      |    |    |    |     | D   |
|------------|----------|----------|----------|----|-----|------|------|------|----|----|----|-----|-----|
|            | Φ65(MT2) | Φ95(MT3) | Φ95(MT4) |    | ER8 | ER11 | ER16 | ER20 | C5 | C6 | C9 | C12 |     |
| SA116      | 52       | /        |          | 88 | /   | 74   | 86   | 96   | /  | 80 | 99 | 102 | 190 |
| SA124      | 52       | 62       |          | 92 | /   |      |      |      | /  |    |    |     | 227 |



| 型號<br>Type | A        |          |          | B     | C   |      |      |      |    |    |    |     |     |  |  | D           |
|------------|----------|----------|----------|-------|-----|------|------|------|----|----|----|-----|-----|--|--|-------------|
|            | Φ65(MT2) | Φ95(MT3) | Φ95(MT4) |       | ER8 | ER11 | ER16 | ER20 | C5 | C6 | C9 | C12 | MT2 |  |  |             |
| ST108      | 67       | 105      | 134      | 84    |     |      |      |      |    |    |    |     |     |  |  | 258.5 × 136 |
| ST121      | 67       | 105      | 134      | 88    | /   | 60   | 84   | 84   | /  | 67 | 87 | 91  | 133 |  |  | 140 × 107   |
| ST200      | 57       | 67       | 96       | 129.5 |     |      |      |      |    |    |    |     |     |  |  | 172 × 107   |



| 型號<br>Type | A        |          |          | B  | C   |      | D          |
|------------|----------|----------|----------|----|-----|------|------------|
|            | Φ65(MT2) | Φ95(MT3) | Φ95(MT4) |    | 10H | 13XH |            |
| SD177 × 2  | 69       | 80       | 109      | 36 | 148 | 166  | Φ215 × 114 |
| SD177 × 4  |          |          |          |    |     |      | Φ215       |
| SD240 × 2  |          |          |          |    |     |      | Φ285 × 150 |
| SD240 × 4  |          |          |          |    |     |      | Φ285       |
| SD340 × 2  |          |          |          |    |     |      | Φ285 × 150 |
| SD340 × 4  |          |          |          |    |     |      | Φ285       |
| SD390 × 2  |          |          |          |    |     |      | Φ285 × 150 |
| SD390 × 4  |          |          |          |    |     |      | Φ285       |



| 型號<br>Type | A        |          |          | B   | C   |      |      |      |    |    |    |     | D    |
|------------|----------|----------|----------|-----|-----|------|------|------|----|----|----|-----|------|
|            | Φ65(MT2) | Φ95(MT3) | Φ95(MT4) |     | ER8 | ER11 | ER16 | ER20 | C5 | C6 | C9 | C12 |      |
| SU110      | 72       | 82       | 111      | 225 | 75  | 73   | 94   | 94   | 75 | 81 | 96 | 100 | Φ288 |
| SU165      |          |          |          |     |     |      |      |      |    |    |    |     | Φ350 |
| SU200      |          |          |          |     |     |      |      |      |    |    |    |     | Φ396 |
| SU250      |          |          |          |     |     |      |      |      |    |    |    |     | Φ430 |
| SU300      |          |          |          |     |     |      |      |      |    |    |    |     | Φ490 |

