

INTERNATIONAL
STANDARD

ISO
13937-3

First edition
2000-04-01

Textiles — Tear properties of fabrics —

Part 3:

**Determination of tear force of wing-shaped
test specimens (Single tear method)**

Textiles — Propriétés de déchirement des étoffes —

*Partie 3: Détermination de la force de déchirure des éprouvettes
croissants (Méthode de la déchirure unique)*

This material is reproduced from ISO documents under International Organization for Standardization (ISO) Copyright License Number IHS/CC/1996. Not for resale. No part of these ISO documents may be reproduced in any form, electronic retrieval system or otherwise, except as allowed in the copyright law of the country of use, or with the prior written consent of ISO (Case postale 56, 1211 Geneva 20, Switzerland, Fax +41 22 734 10 79), IHS or the ISO Licensor's members.



Reference number
ISO 13937-3:2000(E)

© ISO 2000

ISO 13937-3:2000(E)

PDF disclaimer

This PDF file may contain embedded typefaces. In accordance with Adobe's licensing policy, this file may be printed or viewed but shall not be edited unless the typefaces which are embedded are licensed to and installed on the computer performing the editing. In downloading this file, parties accept therein the responsibility of not infringing Adobe's licensing policy. The ISO Central Secretariat accepts no liability in this area.

Adobe is a trademark of Adobe Systems Incorporated.

Details of the software products used to create this PDF file can be found in the General Info relative to the file; the PDF-creation parameters were optimized for printing. Every care has been taken to ensure that the file is suitable for use by ISO member bodies. In the unlikely event that a problem relating to it is found, please inform the Central Secretariat at the address given below.

© ISO 2000

All rights reserved. Unless otherwise specified, no part of this publication may be reproduced or utilized in any form or by any means, electronic or mechanical, including photocopying and microfilm, without permission in writing from either ISO at the address below or ISO's member body in the country of the requester.

ISO copyright office
Case postale 56 • CH-1211 Geneva 20
Tel. + 41 22 749 01 11
Fax + 41 22 734 10 79
E-mail copyright@iso.ch
Web www.iso.ch

Printed in Switzerland

Foreword

ISO (the International Organization for Standardization) is a worldwide federation of national standards bodies (ISO member bodies). The work of preparing International Standards is normally carried out through ISO technical committees. Each member body interested in a subject for which a technical committee has been established has the right to be represented on that committee. International organizations, governmental and non-governmental, in liaison with ISO, also take part in the work. ISO collaborates closely with the International Electrotechnical Commission (IEC) on all matters of electrotechnical standardization.

International Standards are drafted in accordance with the rules given in the ISO/IEC Directives, Part 3.

Draft International Standards adopted by the technical committees are circulated to the member bodies for voting. Publication as an International Standard requires approval by at least 75 % of member bodies casting a vote.

Attention is drawn to the possibility that some of the elements of this part of ISO 13937 may be the subject of patent rights. ISO shall not be held responsible for identifying any or all such patent rights.

International Standard ISO 13937-3 was prepared by the European Committee for Standardization (CEN) in collaboration with ISO Technical Committee TC 38, *Textiles*, Subcommittee SC 24, *Conditioning atmospheres and physical tests for textile fabrics*, in accordance with the Agreement on technical cooperation between ISO and CEN (Vienna Agreement).

Throughout the text of this standard, read "...this European Standard..." to mean "...this International Standard...".

ISO 13937 consists of the following parts, under the general title *Textiles — Tear properties of fabrics*:

- Part 1: *Determination of tear force using ballistic pendulum method (Elmendorf)*
- Part 2: *Determination of tear force of trouser-shaped test specimens (Single tear method)*
- Part 3: *Determination of tear force of wing-shaped test specimens (Single tear method)*
- Part 4: *Determination of tear force of tongue-shaped test specimens (Double tear test)*

Annexes A, B and C of this part of ISO 13937 are for information only.

Contents

Foreword	v
Introduction	vi
1 Scope	1
2 Normative references	1
3 Terms and definitions	1
4 Principle	2
5 Sampling	2
6 Apparatus	2
7 Atmosphere for conditioning and testing	3
8 Preparation of test specimens	3
9 Procedure	4
10 Calculation and expression of results	6
11 Test report	7
Annex A (informative) Suggested procedure for sampling	8
Annex B (informative) Example of pattern for cutting out test specimens from the laboratory sample	9
Annex C (informative) Sample calculation of tear force	10
Bibliography	11

Foreword

The text of EN ISO 13937-3:2000 has been prepared by Technical Committee CEN/TC 248 "Textiles and textile products", the secretariat of which is held by BSI, in collaboration with Technical Committee ISO/TC 38 "Textiles".

This European Standard shall be given the status of a national standard, either by publication of an identical text or by endorsement, at the latest by October 2000, and conflicting national standards shall be withdrawn at the latest by October 2000.

According to the CEN/CENELEC Internal Regulations, the national standards organizations of the following countries are bound to implement this European Standard: Austria, Belgium, Czech Republic, Denmark, Finland, France, Germany, Greece, Iceland, Ireland, Italy, Luxembourg, Netherlands, Norway, Portugal, Spain, Sweden, Switzerland and the United Kingdom.

上海轩轶创新工业设备有限公司

上海轩轶创新工业设备有限公司

上海轩轶创新工业设备有限公司

ISO 13937-3:2000(E)**Introduction**

EN ISO 13937 has been prepared as a part of several test methods for the determination of certain mechanical properties of textiles using mainly tensile-testing machines, e.g. tensile properties, seam tensile properties, tear properties, seam slippage. Test requirements for these standards agree where appropriate. The results obtained by one of the methods should not be compared with those obtained by other methods. Annex D lists test methods standardized in this context.

EN ISO 13937 specifies methods for the determination of tear force of fabrics. Part 1 describes a ballistic pendulum method, parts 2 to 4 describe methods using tensile-testing machines.

上海轩轶创新析工业设备有限公司

1 Scope

This Part of EN ISO 13937 describes a single tear method to determine fabric tear force, known as the wing test using a test specimen cut to form two wings for clamping inclined at a defined angle to the thread direction. The tear force measured is the force required to propagate a previously started tear.

The test is mainly applicable to woven textile fabrics. It may be applicable to fabrics produced by other techniques. Due to the clamping of the specimen wings inclined to the threads to be torn the test can be used for most types of fabrics without causing a transfer of tear and it is less susceptible to withdrawal of threads than other tear tests.

In general the method is not applicable to knitted fabrics, woven elastic fabrics and nonwovens, to which the trapezoidal test method is preferably applied (Note 2).

The method only allows the use of constant-rate-of-extension (CRE) testing machines.

NOTE 1: For other tear test methods using tensile-testing machines part 2 of EN ISO 13937 describes a method known as the trouser test and part 4 the tongue test method. Part 1 of EN ISO 13937 describes the ballistic pendulum (Elmendorf) method.

NOTE 2: For trapezoidal test methods, see ISO 9073-4 for nonwovens or ISO 4674 for coated fabrics.

2 Normative references

The following normative documents contain provisions which, through reference in this text, constitute provisions of this International Standard. For dated references, subsequent amendments to, or revisions of, any of these publications do not apply. However, parties to agreements based on this International Standard are encouraged to investigate the possibility of applying the most recent editions of the normative documents indicated below. For undated references, the latest edition of the normative document referred to applies. Members of ISO and IEC maintain registers of currently valid International Standards.

ISO 139	Textiles - Standard atmospheres for conditioning and testing
ISO 7500-1	Metallic materials - Verification of static uniaxial testing machines - Part 1 - Tensile testing machines
ISO 10012-1	Quality assurance requirements for measuring equipment - Part 1: Metrological confirmation system for measuring equipment

3 Terms and definitions

For the purposes of this part of EN ISO 13937 the following terms and definitions apply:

3.1 constant-rate-of-extension (CRE) testing machine: Tensile-testing machine where one clamp is stationary whilst the other is moving with a constant speed throughout the test and where the entire testing system is virtually free from deflection.

3.2 gauge length: Distance between the two effective clamping points of a testing device.

NOTE: The effective clamping points (or lines) of jaws can be checked by clamping a test specimen under defined pretension with carbon copy paper to produce a gripping pattern on the specimen and/or jaw faces.

ISO 13937-3:2000(E)

3.3 tear force: Force required to propagate a tear initiated under the specified conditions.

NOTE: The tear force is qualified as "across warp" or "across weft" according to whether the tear is made across the warp (warp threads are torn) or weft threads (weft threads are torn) respectively.

3.4 peak: Point on a force/extension curve where the gradient, relative to the force values recorded, changes from positive to negative.

NOTE: For tear recordings the peak to be used for calculation is defined by rising and falling of force of at least 10 % of the last decreasing or increasing force value respectively.

3.5 length of tear: Measured distance propagated by a tearing force from the initiation of the force until its termination.

3.6 wing-shaped test specimen: Strip of test fabric, cut on one end to form a triangle with a specified slope, and cut in the centre to form two wings which are clamped parallel to the slope of the strip (see figures 1 and 2).

4 Principle

A specifically shaped test specimen cut to form two wings on one side is mechanically stressed so that the stress is concentrated at a cut in such a way as to cause tearing in the desired direction. The wings of the specimen are clamped inclined to the direction of the threads to be torn. The force to continue the tear over a specified length of tear is recorded. The tear force is calculated from force peaks of the autographic trace, or on-line by electronic means.

5 Sampling

Select samples either in accordance with the procedure laid down in the material specification for the fabric, or as agreed between the interested parties.

In the absence of an appropriate material specification an example of a suitable sampling procedure is given in annex A.

An example of a pattern for cutting test specimens from the laboratory sample is given in annex B. Avoid test areas with folded or creased places, selvages and areas not representative of the fabric.

6 Apparatus

6.1 General

The system for metrological confirmation of the tensile testing machine shall be in accordance with ISO 10012-1.

6.2 CRE machine, having the following characteristics:

- a) Capable of operating at a constant-rate-of-extension of (100 ± 10) mm/min;
- b) capable of gauge length to be set to (100 ± 1) mm;
- c) provided with means for recording the force applied to the test specimen during the tear test.
- d) under conditions of use, the accuracy of the apparatus shall be class 1 of ISO 7500-1. The error of the indicated or recorded maximum force at any point in the range in which the machine is used shall not exceed $\pm 1\%$, and the error of the indicated or recorded jaw separation shall not exceed ± 1 mm.

e) if recording of force and extension is obtained by means of data acquisition boards and software, the frequency of data collection shall be at least 8 per second.

If a class 2 tensile testing machine has to be used, this shall be stated in the test report.

6.3 Clamping device, comprising the two jaws of the machine, the central points of which are in the line of pull, the front edges at right angles to the line of pull and the clamping faces in the same plane.

The jaws shall be fixed to prevent sideways movement during the tearing operation and shall be capable of holding the test specimen without allowing it to slip, designed so that they do not cut or otherwise weaken the test specimen.

The width of the jaws shall preferably be 100 mm, but shall not be less than 75 mm.

6.4 Equipment for cutting out test specimens, preferably a hollow punch or template to give test specimens of the dimensions shown in figure 1.

7 Atmosphere for conditioning and testing

The atmospheres for preconditioning, conditioning and testing shall be as specified in ISO 139.

8 Preparation of test specimens

8.1 General

From each laboratory sample two sets of test specimens shall be cut, one set in the warp direction and the other in the weft direction.

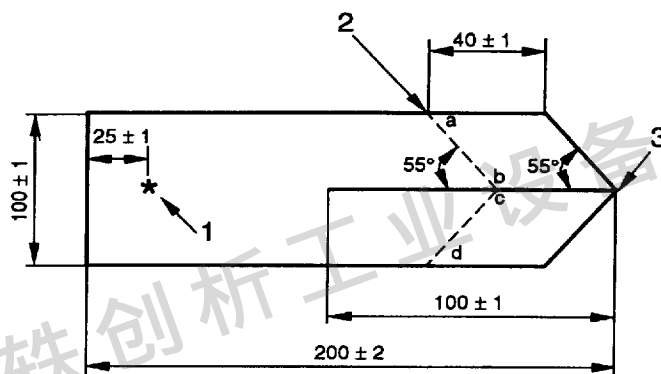
For other than woven fabrics use the relevant designation for direction, e.g. length and transverse.

Each set shall consist of at least five test specimens, or more if agreed. In accordance with clause 5 and annex B, no two test specimens shall contain the same longitudinal or transverse threads, and no specimen shall be cut within 150 mm of the edge of the fabric.

8.2 Dimensions

Cut out the test specimens in accordance with the shape and dimensions shown in figure 1 and mark the lines ab and cd on each test specimen. Mark the end of tear (25 ± 1) mm from the uncut end in the centre of the strip to indicate the position of the tear at the completion of the test.

Dimensions in mm



- 1 Mark for end of tear length
- 2 Mark
- 3 Cut

Figure 1 - Wing-shaped test specimen

8.3 Cutting out of test specimens

For woven fabrics each test specimen shall be cut with its length parallel to the warp or the weft of the fabric. For test specimens where the length is parallel to the warp, the direction of the tear is qualified as "across weft" and for test specimens where the longer side of the test specimen is parallel to the direction of the weft, the tear is qualified "across warp" (see 3.3 and annex B).

9 Procedure

9.1 Gauge length

Set the gauge length of the tensile-testing machine to 100 mm.

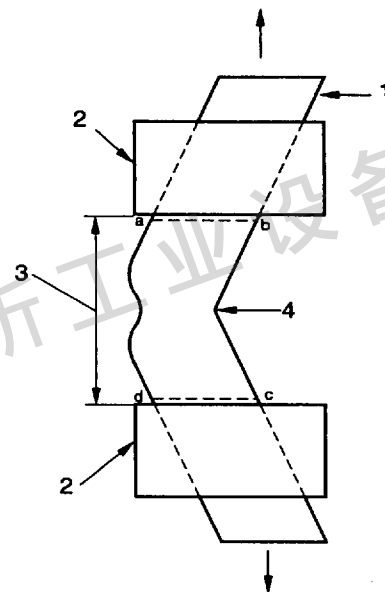
9.2 Rate of extension

Set the rate of extension of the tensile-testing machine to 100 mm/min.

9.3 Mounting of test specimens

Clamp the test specimen centrally in the jaws with the 55° lines ab and cd just visible, placed along the proximate edges of the jaws with each wing presenting the same surface of the fabric to the operator (see figure 2). Avoid pretension when the test is started.

Dimensions in millimetres



- 1 Test specimen
- 2 Jaw
- 3 Gauge length 100 mm
- 4 Point of tear

NOTE: Adjust mark lines ab and cd along central edges of jaws.

Figure 2 - Clamping arrangement

9.4 Operation

Engage any device for recording of the tear force. Put the moving clamp in motion at 100 mm/min and continue the tear to the point marked near the end of the strip.

Record the tear force in newtons, and if a tear trace is wanted record the accompanying jaw separation (for recording of the tear length) for each of the test specimens in each fabric direction, using recording or electronic devices (6.2).

If the evaluation of the peaks derived from dense fabrics with large numbers of threads per cm are to be taken from the chart recording manually (see 10.1), the speed of the chart paper has to be set to 2:1 in relation to the rate of extension.

Observe whether the tear proceeds rectangular to the direction of force and whether any threads slip out from the fabric rather than being torn. The test is correct if there is a) no slippage of threads out of the fabric, b) no slippage in the jaws, c) the tear is completed and proceeded rectangular to the direction of application of the force. Other results shall be discarded.

If the results from three or more out of the five test specimens have to be rejected, the method is unsuitable.

If agreed test additional test specimens, preferably doubling the number of test specimens. In such cases, the reporting of the results shall also be agreed.

ISO 13937-3:2000(E)

10 Calculation and expression of results

Two methods of calculation are specified, manual and electronic. They may not lead to the same result and results calculated by different methods are not to be compared.

10.1 Evaluation of tear forces from the chart recording.

For a sample of calculation, see annex C.

10.1.1 Divide the tear length, beginning with the first and ending with the last peak recorded, into four equal parts (see annex C). The first part shall not be used for the calculation of the mean value. From each of the three remaining subsections, select and note the two highest and the two lowest peaks. A peak suitable for calculation is characterized by a 10 % min. rising and falling of force (see 3.4).

10.1.2 For each test specimen, calculate the arithmetic mean in newtons of the 12 peak values obtained according to 10.1.1.

NOTE: For manual evaluations a limited number of selected peaks is chosen to keep calculation time acceptable. For calculation including all peaks, electronic evaluation is recommended.

10.1.3 From the mean calculated for each test specimen (see 10.1.2), calculate the overall arithmetic mean of the tear force in newtons for each fabric direction tested, and round it to two significant figures.

10.1.4 If required, calculate the coefficient of variation to the nearest 0,1 % and the 95% confidence limits in newtons rounded to two significant figures, using the mean test specimen values as calculated according to 10.1.2.

10.1.5 If required, calculate the mean of the six highest peak values in newtons for each test specimen.

10.1.6 If required, note the highest and the lowest peak value in newtons (maximum peak distance) for each test specimen.

10.2 Calculation using electronic devices

For a sample of calculation, see annex C.

10.2.1 Divide the tearing length between the first and last peak recorded into four equal parts (see annex C). Ignoring the first part of the tearing length, all peaks of the remaining distance are recorded. A peak suitable for calculation is characterized by a 10 % min. rising and falling of force (see 3.4).

10.2.2 The arithmetic mean in newtons for the test specimen is calculated using all peaks recorded according to 10.2.1.

10.2.3 From the mean calculated for each test specimen (see 10.2.2) calculate the overall arithmetic mean of the tear force in newtons for each direction tested, and round it to two significant figures.

10.2.4 If agreed, calculate the coefficient of variation to the nearest 0,1 % and the 95% confidence limits, in newtons, rounded to two significant figures, using the specimen mean values as calculated according to 10.2.2.

11 Test report

The test report shall include the following information:

11.1 General information

- a) Reference to this part of EN ISO 13937 and the date of test;
- b) identification of test sample and if required, sampling procedure;
- c) number of test specimens and number of tests rejected and reasons for this;
- d) observations on unusual tear behaviour;
- e) whether mean values are calculated manually (see 10.1) or by electronic device (see 10.2).
- f) any deviation from the given procedure.

11.2 Test results

- a) The overall mean tear force across warp and across weft, in newtons. If only 3 or 4 test specimens are torn correctly, state the results for the individual test specimens only;
- b) if required, the coefficient of variation, in percent;
- c) if required, the 95% confidence limits, in newtons;
- d) if required, in case of manual evaluation (see 10.1), the mean of the highest peak force values for each test specimen (see 10.1.5), in newtons;
- e) if required, in case of manual evaluation (see 10.1), the lowest and highest peak force values recorded for each test specimen (see 10.1.6), in newtons.

Annex A
(informative)

Suggested procedure for sampling

A.1 Bulk sampling (Number of pieces taken from a shipment or lot)

Take at random from the shipment or lot the appropriate number of pieces shown in table A.1. Ensure that no piece that shows signs of damage or dampness incurred during transit is included in the bulk sample.

Table A.1 - Bulk sampling

Number of pieces in shipment or lot	Number of pieces comprising bulk sample, minimum
3 or less	1
4 to 10	2
11 to 30	3
31 to 75	4
76 or more	5

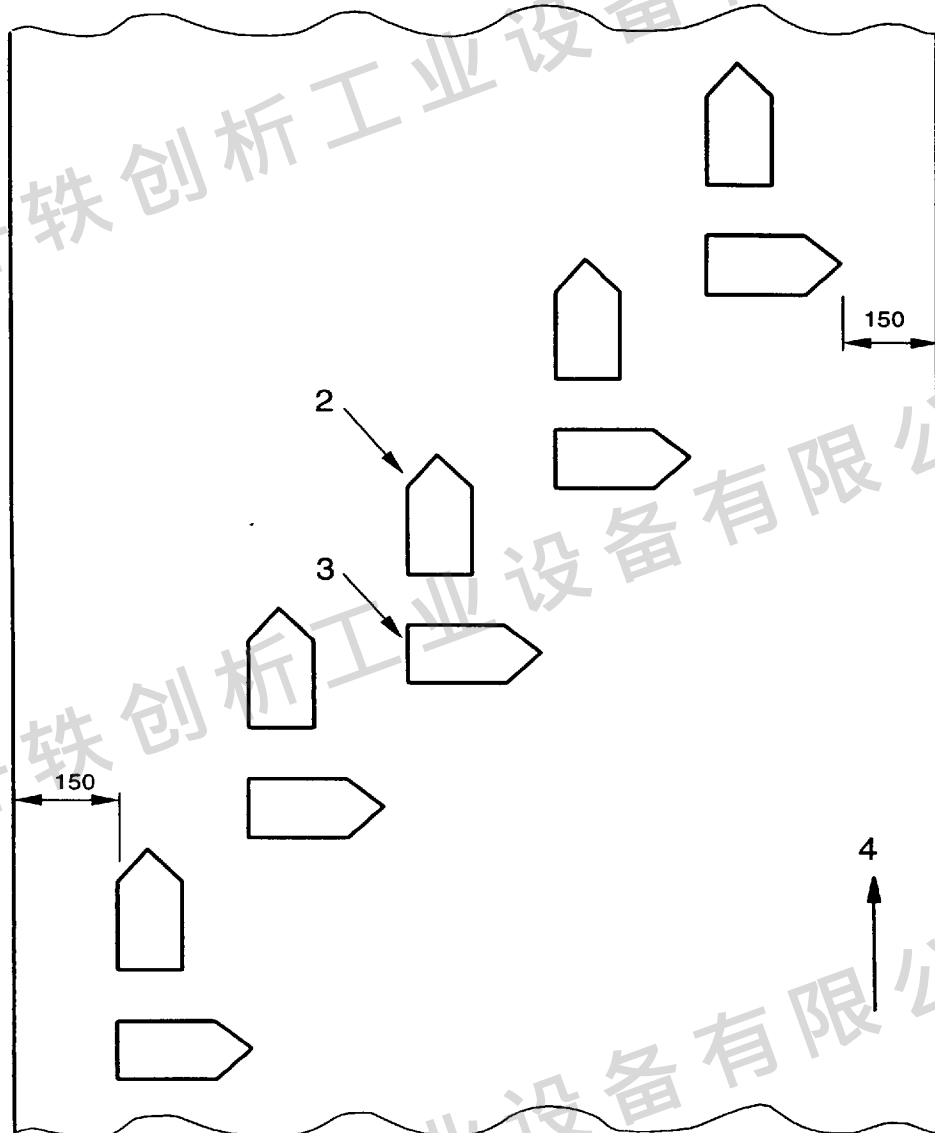
A.2 Number of laboratory samples

From each piece in the bulk sample, cut (from a position taken at random but at least 3 m from an end of the piece) a laboratory sample of length at least 1 m and of full width. Ensure that areas that are creased or that have a visible fault, or faults, are not included in the laboratory sample.

Annex B

(informative)

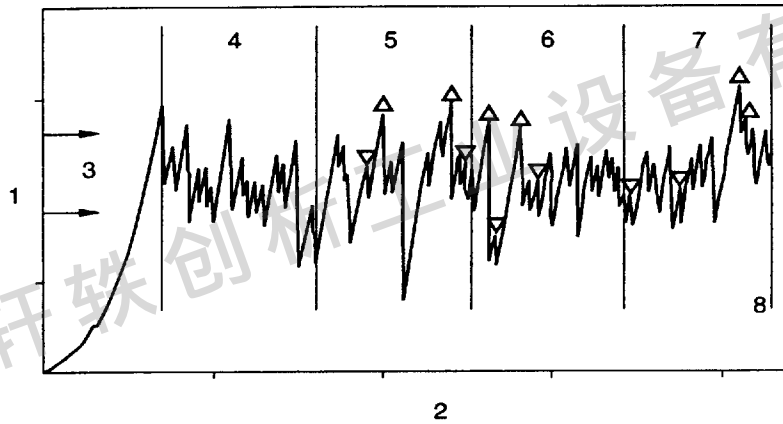
Example of pattern for cutting out test specimens from the laboratory sample



- 1 Edge
- 2 Specimen for tear "across weft"
- 3 Specimen for tear "across warp"
- 4 Warp

Figure B.1

Annex C
(informative)
Sample calculation of tear force



- 1 Force
- 2 Direction of tear (trace length)
- 3 Approx. medium peak range
- 4 Ignore
- 5 Subsection 1
- 6 Subsection 2
- 7 Subsection 3
- 8 End of tear

Figure C.1

Approximation of a peak (see 3.4).

For ease of handling manual evaluations, it is suggested to approximate peak force level for medium height peaks in the tear trace of a test specimen. One-tenth of this value, rounded to within about $\pm 10\%$, indicates the rising and falling of force required for characterization of a peak.

Example	Medium-height peaks	85 N to 90 N (approximate level)
	10 % of this	8,5 N to 9 N
	peaks usable for calculation	
	are characterized by	
	rising and falling of force	> 8 N

Bibliography

EN ISO 13934-1:1999, *Textiles - Tensile properties of fabrics - Part 1: Determination of maximum force and elongation at maximum force using strip method (ISO 13934-1:1999)*

EN ISO 13934-2:1999, *Textiles - Tensile properties of fabrics - Part 2: Determination of maximum force using grab method (ISO 13934-2:1999)*

EN ISO 13935-1:1999, *Textiles - Seam tensile properties of fabrics and made-up textile articles - Part 1: Determination of seam maximum force using strip method (ISO 13935-1:1999)*

EN ISO 13935-2:1999, *Textiles - Seam tensile properties of fabrics and made-up textile articles - Part 2: Determination of seam maximum force using grab method (ISO 13935-2:1999)*

prEN ISO 13936, *Textiles - Determination of the slippage resistance of yarns at a seam in woven fabrics (ISO/DIS 13936:1998)*

EN ISO 13937-1:1999, *Textiles - Tear properties of fabrics - Part 1: Determination of tear force using ballistic pendulum method (Elmendorf) (ISO 13937-1:1999)*

EN ISO 13937-2:1999, *Textiles - Tear properties of fabrics - Part 2: Determination of tear force of trouser shaped test specimens (single tear method) (ISO 13937-2:1999)*

EN ISO 13937-3:1999, *Textiles - Tear properties of fabrics - Part 3: Determination of tear force of wing shaped test specimens (ISO 13937-3:1999)*

EN ISO 13937-4:1999, *Textiles - Tear properties of fabrics - Part 4: Determination of tear force of tongue shaped test specimens (double tear method) (ISO 13937-4:1999)*

ISO 4674:1977, *Fabrics coated with rubber or plastics - Determination of tear resistance*

ISO 9073-4:1997, *Textiles - Test methods for nonwovens - Part 4: Determination of tear resistance*

ISO 13937-3:2000(E)

上海轩轶创新工业设备有限公司

上海轩轶创新工业设备有限公司

上海轩轶创新工业设备有限公司

ICS 59.080.30

Price based on 11 pages

© ISO 2000 – All rights reserved