

无菌采样阀 Aseptic Sampling Valve

Working Principle 工作原理



- 该无菌采样阀为每次取样前和取样后进行杀菌。
- 开启阀门：取样--通过旋转手柄（可调整阀门）或通过拉动操作杆（开/关阀门）来开启手动操作的阀门。然后柄和隔膜缩回，允许液体通过。
- 关闭阀门：消毒 --通过相反的步骤，内置弹簧关闭阀门，保持软管间的通道开启，用于消毒。如果使用蒸汽，建议在出口装一个小型的压力安全阀。
- 标准设计:该无菌采样阀由三个部分组成，阀体，手柄和隔膜。橡胶隔膜置于阀杆上，作为拉伸塞子
- 连接形式：螺纹、罐焊接、钢管焊接、卡箍
- 手柄形式：(1) 旋转手柄 (2) 可移动钥匙
- 应用领域：该阀门用于啤酒、牛奶、饮料、果汁、制药等行业

- The Aseptic Sampling Valve is designed for sterilization before and after each sampling.
- Open valve: Sampling--The manual valve is opened by rotating the handle (adjustable valve) or by activating the lever(on/off valve).The stem and the membrane are then retracted, allowing liquid to pass.
- Closed valve: Sterilizing--The built-in spring closes the valve and keeps the channel open between the hoses though reverse process in order to sterilize. If with steam, a small pressure relief valve (optional) on the outlet is recommended. If using steam a small pressure relief valve (optional) on the outlet is recommended.
- Standard Design:The Aseptic Sampling valve consists of three parts, a valve body, a handle and a membrane. The rubber membrane is placed on the stem of the valve and works as a stretchable plug.
- Connection:Thread,Tank welding,Pipe welding,Clamp
- Handle:(1) Turning handle (2) Removable key
- Application: The Aseptic Sampling Valve is applied to beer,milk,beverage,fruit juice,pharmacy etc industries.

Material 材质

- 阀体.....AISI 316L
- 手柄.....AISI 304
- 膜片.....MVQ EPDM

- Valve body.....AISI 316L
- Handle.....AISI 304
- Membrane.....MVQ/EPDM

技术规范

- 最大压力.....600kpa(6bar)

Technical specification

- Max.working pressure.....600kPa(6bar)

温度

- 最高温度.....130℃
- 干蒸汽.....(2bar)121℃

Temperature

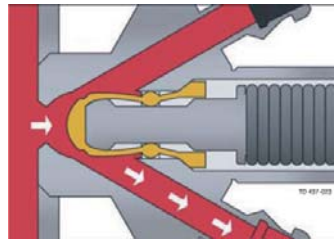
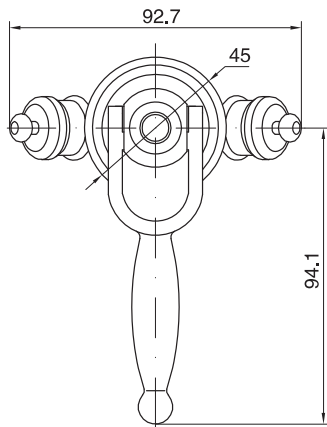
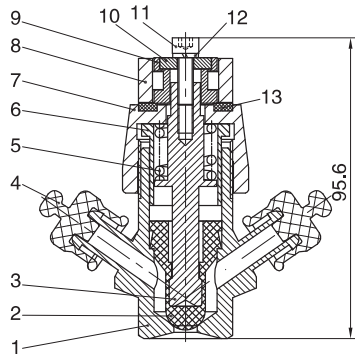
- Max.temperature.....130° C
- Dry steam.....(2bar)121° C

建议:消毒200次,更换密封圈

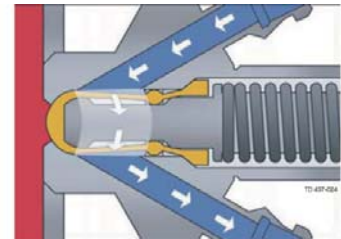
Ordering: It is recommended that the membrane be changed every 200 sterilizations.

工作原理图

Working Principle Diagram



开启阀门, 取样
Open valve, Sampling.



关闭阀门, 消毒
Closed valve, Sterilizing.

序号 No.	名称 Description	材质 Material
1	阀体 Valve body	304 316L
2	密闭套 Closed pad	EPDM
3	阀杆 Valve shaft	304 316L
4	出口外套 Outlet outer sleeve	硅橡胶 Silicone rubber
5	弹簧 Spring	304
6	弹簧套 Spring sleeve	304 316L
7	螺母 Nut	304
8	手柄 Handle	304
9	手柄定位套 Handle locating sleeve	304
10	垫片 Pad	304
11	内六角螺钉 Inner socket blot	304
12	弹垫 Spring pad	65Mn
13	垫圈 Gasket	PTFE