

Sanitary Stop/ Reversing Valves

卫生级截止 /
换向阀系列



卫生级截止 / 换向阀 Sanitary Stop/Reversing Valve

应用：

该类型阀门主要是为了让介质达到换向或截止停留的目的，因其优越的密封性和可清洁性，故广泛应用于各种卫生行业领域。

Application:

The series of valve is major let the medium reach the purpose of reversing or end stop, because the goods tightness and cleanability, they are extensively use to different sanitary industry areas.

工作原理：

气动截止 / 换向阀系列是将压缩空气所产生的能量转换为机械能，该机械能会驱动阀杆轴向运动，从而移动密封部件所处位置的不同会对管道口的开关形成控制，最终达到介质换向或停留的目的。

手动截止换向阀系列通过人为对手柄的操控，最终也是为了达到介质换向或停留的目的。

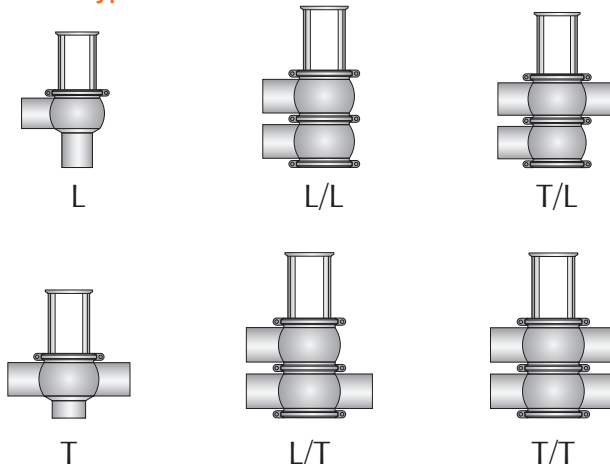
Working Principle:

The series of pneumatic cut-off reversing valve is change the energy which creative by compressed air to be the mechanical energy, the mechanical energy can drive the valve rod axial moving, thus move the different situation of Seal elements, which can control the switch for inlet of pipeline ,finally realise the purpose of medium reversing or stop.

The manual cut-off reversing valve series control by handle, finally also reach the purpose of medium reversing or stop.



Flow Type:



材 料:

钢制部件：不锈钢 304，不锈钢 316L
密封件：四氟垫、O 型密封圈
上隔膜：NBR 隔膜和标准隔膜
下隔膜：PTFE,EPDM 橡胶和标准隔膜
O 型环：NBR 隔膜和标准隔膜
(备注：温度超过 95 度时，隔膜要选择用 PTFE,O 型环选择用 EPDM)

Material:

Steel parts:stainless steel 304,stainless steel 316L.
Seal: TFE,O type seal ring
Up diaphragm: NBR diaphragm and standard diaphragm
Down diaphragm: PTFE,EPDM rubber and standard diaphragm
O type ring:NBR diaphragm and standard diaphragm.
(Remark: when the temperature beyond 95 degree,the diaphragm need choose PTFE,O type ring choose EPDM.)

标准设计

有各标准的阀门系列可以向客户提供，即用于 DIN标准系列，3A标准系列，SMS标准系列，ISO/IDF标准系列，BS/RJT标准系列，ASME/BPE等标准系列。

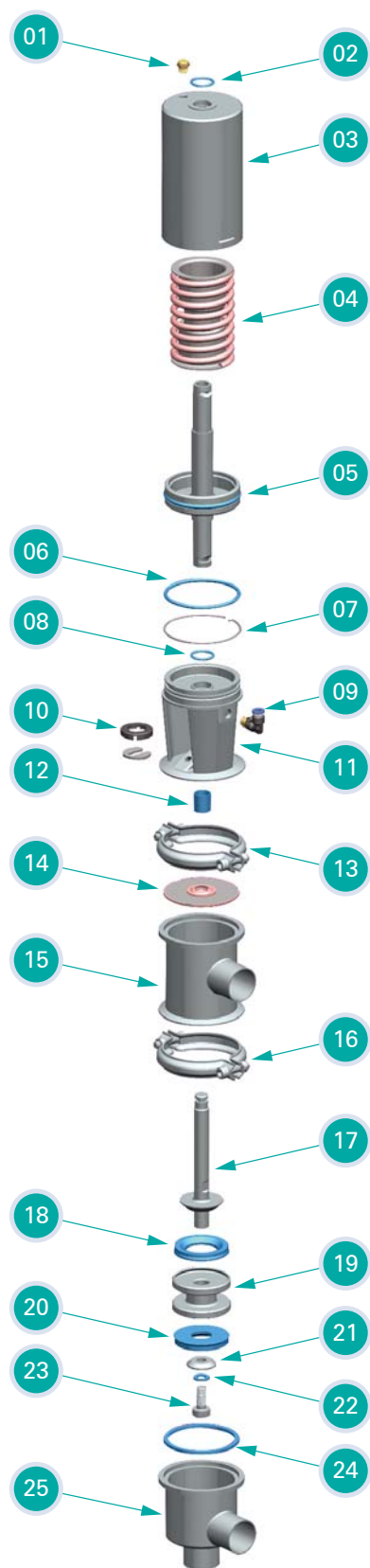
该系列阀门有截止型和换向型两种阀门型式，而截止型的阀门可以制成带有两个或三个的管道接口，换向型的阀门可以制成带有三个到五个的管道接口，其多样性充分满足了市场的需要。

Standard Design:

Various standards of valves can be provided to clients: DIN,3A,SMS,ISO/IDF,BS/RJT,ASME/BPE etc.

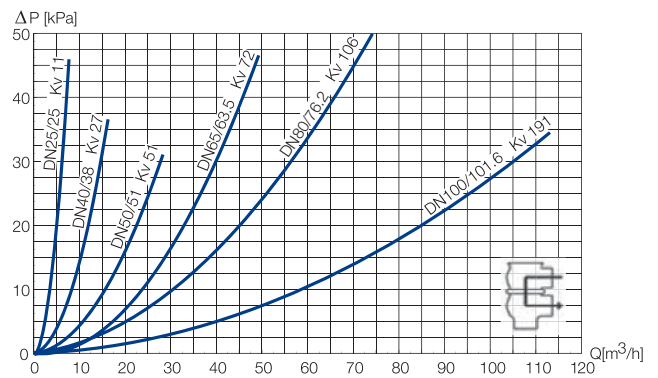
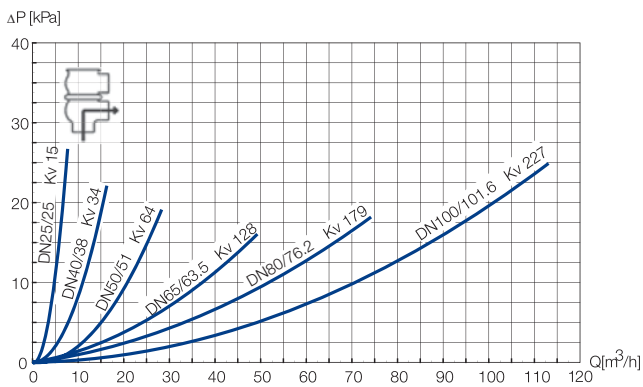
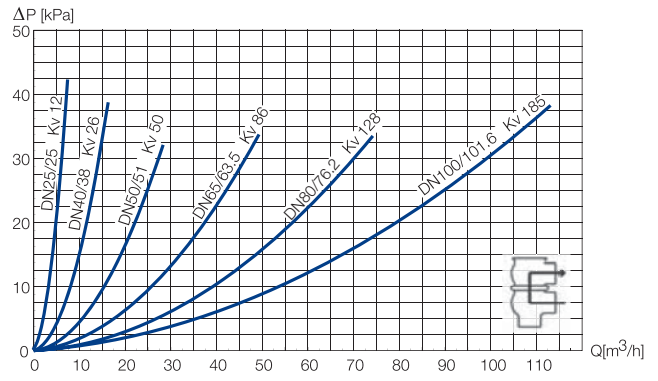
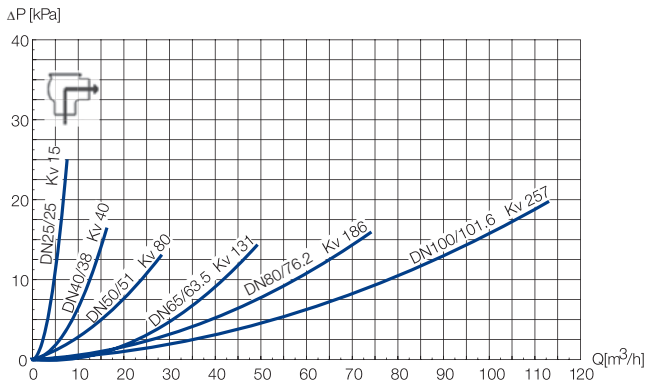
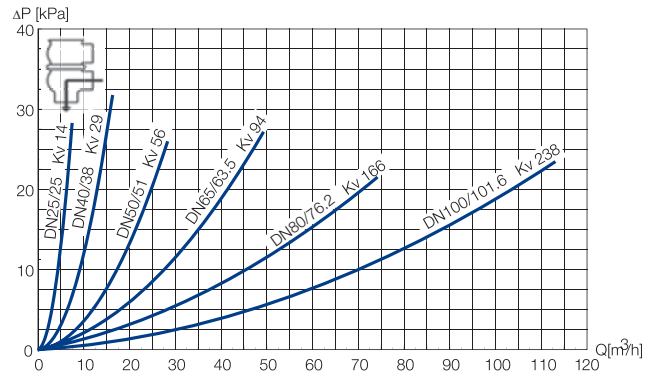
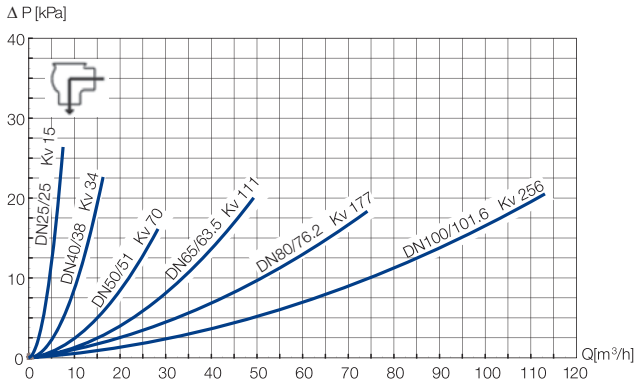
The series of valve have two type valve, that is the cut-off type and reversing type,the cut-off type can made of two or three pipeline connector, the reversing valve can made of three to five pipeline connector, their variety full satisfied the needed of market.





Parts List	
No.	Description
01	气管接头 Gas-type Fitting
02	O型圈 O-type Ring
03	气缸 Air Cylinder
04	弹簧组件 Spring Component
05	活塞 Piston
06	O型圈 O-type Ring
07	锁紧丝 Lock Silk
08	O型圈 O-type Ring
09	气管接头 Gas-type Fitting
10	卡夹组件 Clamp Component
11	阀盖 Valve Cap
12	衬套 Coat
13	卡箍组件 Fern Components
14	唇密封 Lip Seal
15	上阀体 Upper Valve Body
16	卡箍组件 Fern Components
17	阀杆 Valve Rod
18	上部密封圈 Upper Seal
19	中部结构 Middle Structure
20	下部密封圈 Bottom Seal
21	垫圈 Gasket
22	O型圈 O-type Ring
23	螺钉 Screw
24	O型圈 O-type Ring
25	下阀体 Down Valve Body

处理能力 / 压力降对比图 Pressure Drop/Capacity Diagrams



注意!

这些曲线图示数据的测定系基于:

介质: 水 (水温 20°C)

测量: 符合 VDI 2173

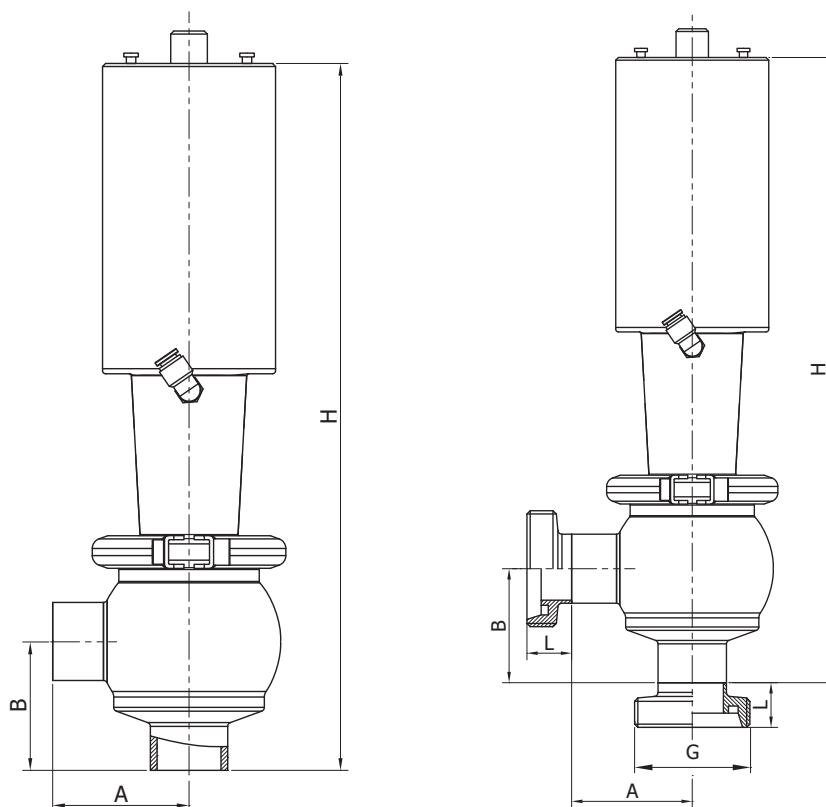
Note!

For the diagrams the following applies:

Medium: Water (20°C).

Measurement: In accordance with VDI 2173.

卫生级截止阀 Sanitary Stop Valve

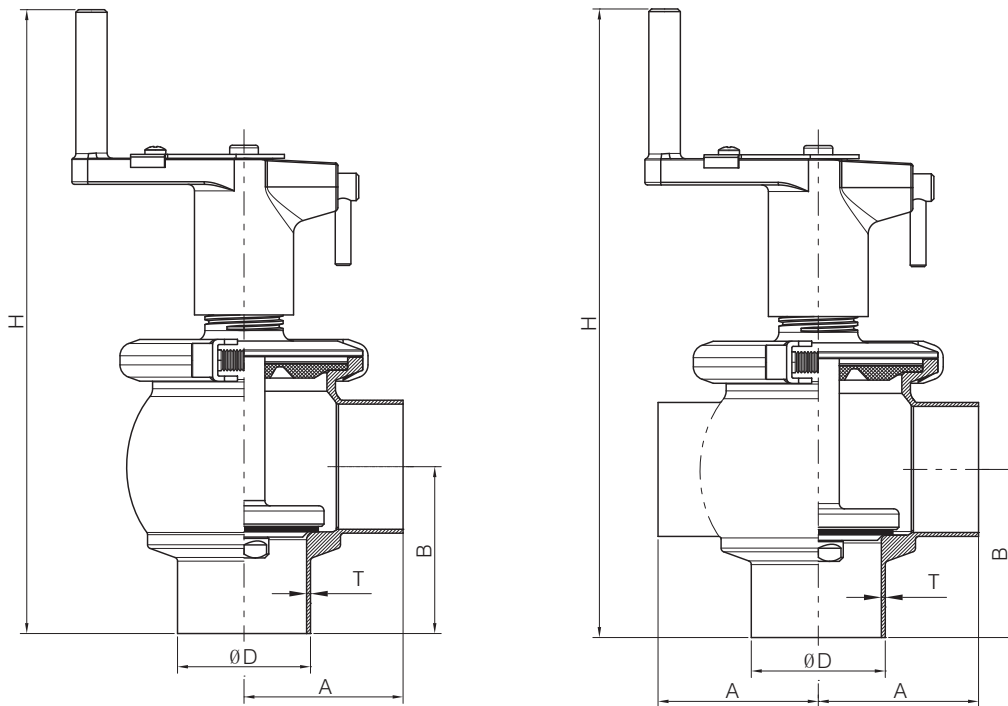


No.SJ00001

气动截止阀 Pneumatic Stop Valve

Size								H	A	B
DIN		3A		SMS		ISO				
DN40 G RD65x1/6	L 22.0	1 1/2 " G 50.65x1/8 TACME	L 18.3	38 G RD60x1/6	L 20.0	Ø38 G 50.6x1/8 TACME	L 21.5	485.0	68.0	62.0
DN50 G RD78x1/6	L 22.0	2" G 64.17x1/8 TACME	L 19.1	51 G RD70x1/6	L 21.0	Ø51 G 60.2x1/8 TACME	L 21.5	528.0	68.0	62.0
		2 1/2 " G 77.67x1/8 TACME	L 22.2	63 G RD85x1/6	L 22.0	Ø63 G 77.7x1/8 TACME	L 21.5	539.0	84.5	81.3
DN65 G RD95x1/6	L 24.0	3" G 91.19x1/8 TACME	L 23.1	76 G RD98x1/6	L 24.0	Ø76 G 91.2x1/8 TACME	L 21.5	585.0	93.5	93.5
DN80 G RD110x1/4	L 28.0							596.0	118.5	115.0
DN100 G RD130x1/4	L 28.0	4" G 119.25x1/6 TACME	L 26.2	102 G RD125x1/4	L 26.0	Ø102 G 118.4x1/8 TACME	L 21.5	623.0	118.5	115.0

卫生级截止阀 Sanitary Stop Valve

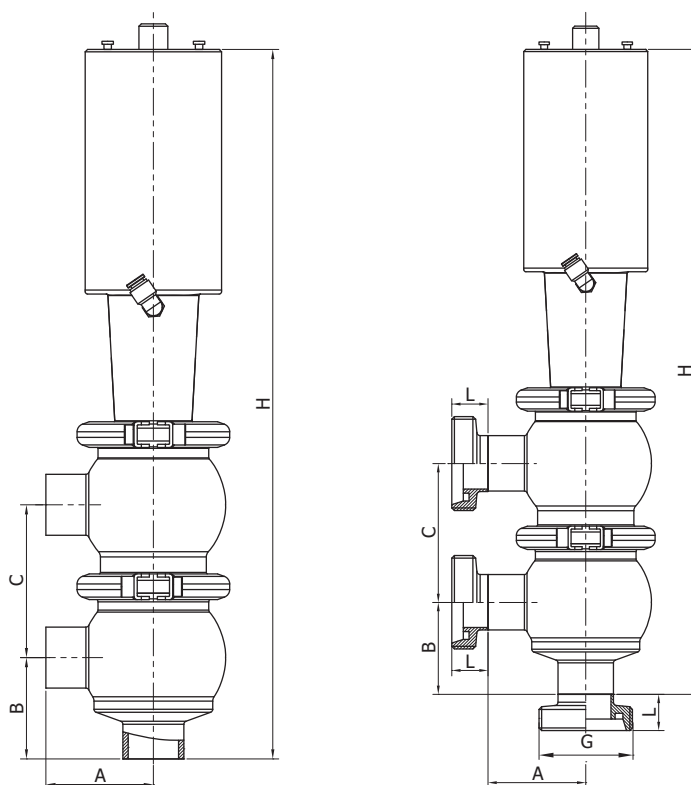


No.SJ100002

手动截止阀 Manual Stop Valve

DIN	Size			H	A	B	
	3A	SMS	ISO				
DN25 DXT 28X1.5	1" DXT 25.4X1.65	25 Dx T 25.4x1.5	Ø25 D xT 25.4x1.5	223.0	68.0	62.0	
DN32 DXT 34X1.5	1 1/4" DXT 31.8X1.65	32 Dx T 31.8x1.5	Ø32 D xT 31.8x1.5	223.0	68.0	62.0	
DN40 DXT 40X1.5	1 1/2" DXT 38.1X1.65	38 Dx T 38.1x1.5	Ø38 D x T 38.1x1.5	223.0	68.0	62.0	
DN50 DXT 52X1.5	2" DXT 50.8X1.65	51 Dx T 50.8x1.5	Ø51 D xT 50.8x1.5	223.0	68.0	62.0	

卫生级换向阀 Sanitary Reversing Valve

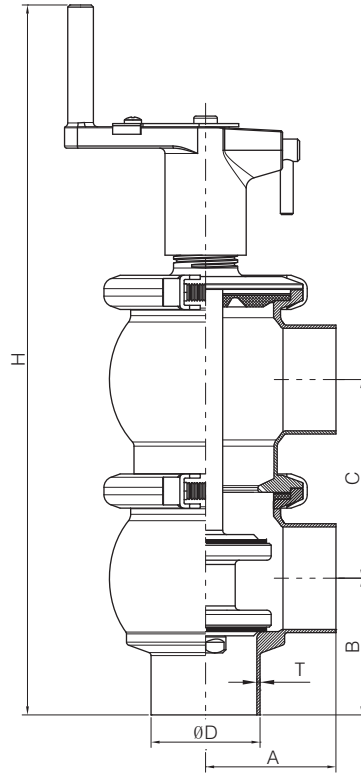


No.SJ00003

气动换向阀 Pneumatic Reversing Valve

DIN		Size						H	A	B	C
		3A		SMS		ISO					
DN40		1 1/2 "		38		Ø38					
G	L	G	L	G	L	G	L	552.0	68.0	62.0	93.0
RD65X1/6	22.0	50.65 x1/8 TACME		RD60X1/6	20.0	50.6 x1/8 TACME					
DN50		2 "		51		Ø51					
G	L	G	L	G	L	G	L	604.0	68.0	62.0	93.0
RD78X1/6	22.0	64.17 x1/8 TACME		RD70X1/6	20.0	64.2 x1/8 TACME					
		2 1/2 "		63		Ø63					
		G	L	G	L	G	L	628.0	84.5	81.3	95.0
		77.67x 1/8 TACME		RD85X1/6	22.0	77.7 x1/8 TACME					
DN65		3 "		76		Ø76					
G	L	G	L	G	L	G	L	686.0	93.5	93.5	116.0
RD95X1/6	24.0	91.19x 1/8 TACME		RD98X1/6	23.0	91.2 x1/8 TACME					
DN80											
G	L							707.0	118.5	115.0	138.0
RD110X1/4	28.0										
DN100		4 "		102		Ø102					
G	L	G	L	G	L	G	L	753.0	118.5	115.0	138.0
RD130X1/4	28.0	119.25x 1/6 TACME		RD125X1/4	26.0	118.4 x1/8 TACME					

卫生级换向阀 Sanitary Reversing Valve



No.SJ00004

手动换向阀 Manual Reversing Valve								
Size				H	A	B	C	
DIN	3A	SMS	ISO					
DN25 DXT 28X1.5	1" DXT 25.4X1.65	25 DxT 25.4x1.5	Ø25 DxT 25.4x1.5	320.0	68.0	62.0	93.0	
DN32 DXT 34X1.5	1 1/4" DXT 31.8X1.65	32 DxT 31.8x1.5	Ø32 DxT 31.8x1.5	320.0	68.0	62.0	93.0	
DN40 DXT 40X1.5	1 1/2" DXT 38.1X1.65	38 DxT 38.1x1.5	Ø38 DxT 38.1x1.5	320.0	68.0	62.0	93.0	
DN50 DXT 52X1.5	2" DXT 50.8X1.65	51 DxT 50.8x1.5	Ø51 DxT 50.8x1.5	320.0	68.0	62.0	93.0	