

WE2111

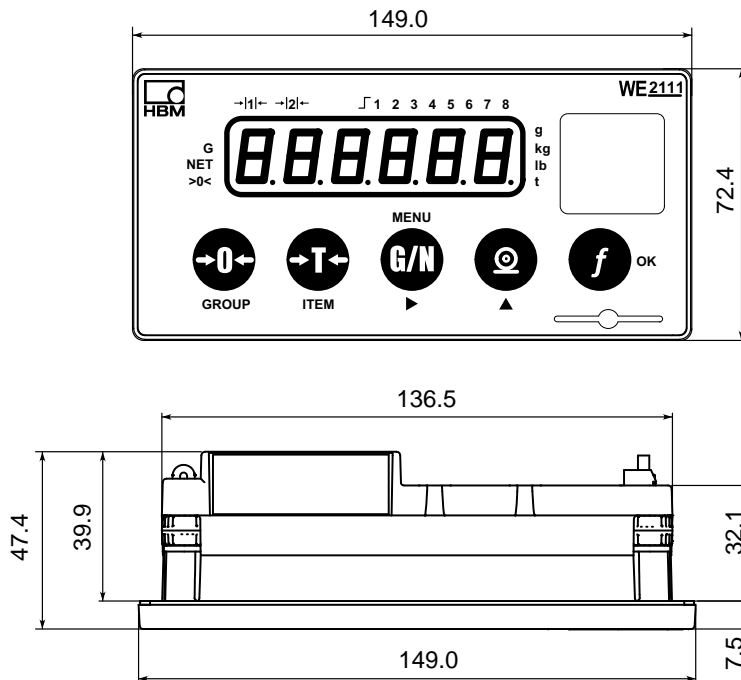
Digital weighing indicator



Special features

- OIML test report up to 10000 d
- Multi-range / multi-interval, up to 2x 3000 d
- Up to 16 load cells à 350 Ω
- Gross, Net, Tare, Print
- Ethernet, USB and RS-485/RS-232 interfaces
- Suitable for installation in a panel mounted housing with cutout as per DIN 43700
- Power supply 12 ... 24 V_{DC} or 110 ... 240 V_{AC} (option)

Dimensions (in mm; 1 mm = 0.03937 inches)



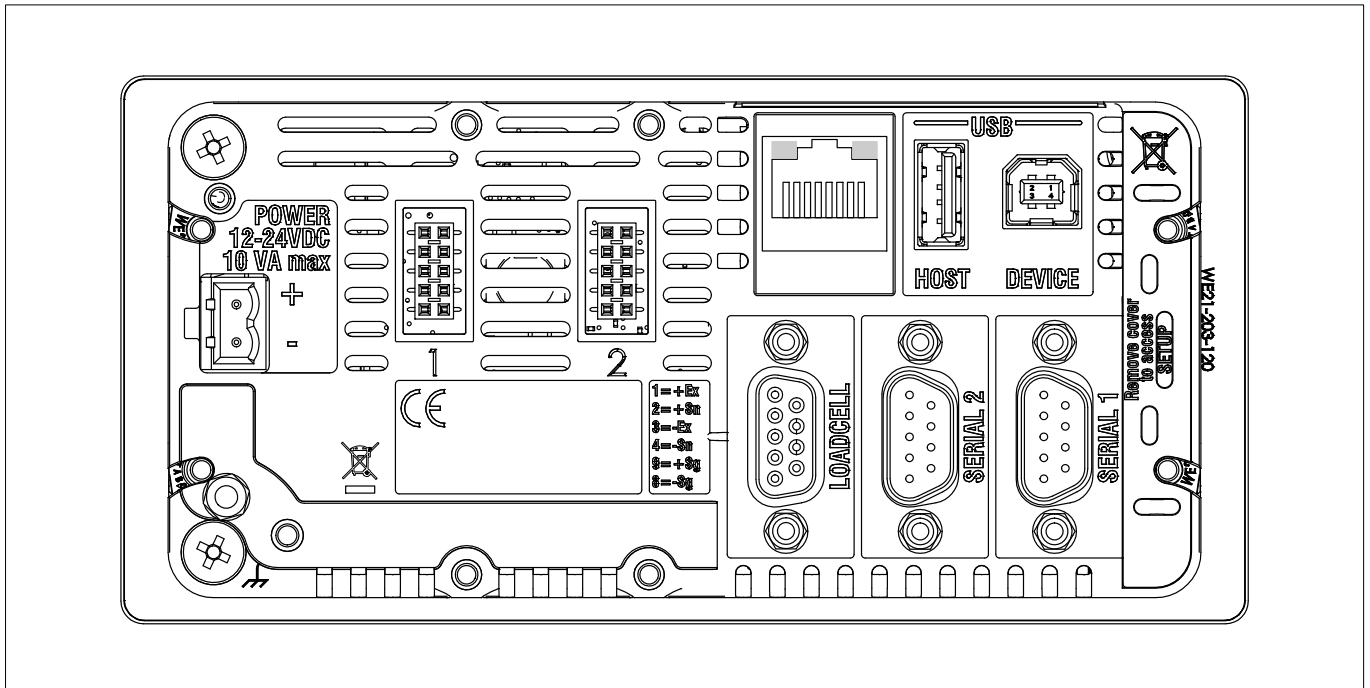
Specifications

Type		WE2111
Accuracy class as per OIML R76 (Class III and IIII)	d	10 000, Multi-range/Multi-interval 2*3000
Input sensitivity	$\mu\text{V/e}$	≥ 0.2 (0.5 OIML R76)
Measuring range	mV/V	0 ... 3
Zero adjustment	mV/V	± 2
Weight units		g, kg, t, lb
Max. number of load cells		16x 350 Ω
Excitation voltage of load cells (short-circuit proof)	V_{DC}	5
Load cell connection		Six-wire and four-wire circuit
Permissible cable length as per OIML R76	m/mm ²	3000 d: ≤ 755 6000 d: ≤ 378 10000 d: ≤ 227
Linearization		5 points
Data rate (without filter)	Hz	10 / 12.5 / 15 / 20 / 25 / 30 / 50 / 60 / 100
Filter, digital low pass		1/1 ... 1/200; floating mean value
Zero tracking, selectable	d/s	Off, 0.5 ... 5
Sensitivity standstill indication, selectable	d/s	Off, 0.5 ... 25
Interface Serial 1		Full duplex RS-232 or RS-485 (4-wire)
Interface Serial 2		RS-232 or TxD with DTR
Option WE2111-R2		Full duplex RS-232, electrically isolated
Option WE2111-R4		Full duplex RS-485 (4-wire), electrically isolated
Cable lengths RS-422 RS-485	m	≤ 25 ≤ 1000
Baud rate, adjustable	Bd	300 ... 115200
Ethernet interface		TCP/IP, HTTP, DHCP, Modbus TCP*
USB interface (USB 2.0, USB Host, max. 0.5 A)		Keyboard, printer, additional memory
Data memory (DSD)		WELMEC 2.5 and 7.2
Connection DC	V_{DC}	12 ... 24
Option mains connection	V_{AC}	110 ... 240 (50 ... 60 Hz)
Max. power consumption (WE2111-AC)	VA	10
Nominal temperature range	$^{\circ}\text{C}$ [$^{\circ}\text{F}$]	-10 ... +40 [+14 ... +104]
Operating temperature range	$^{\circ}\text{C}$ [$^{\circ}\text{F}$]	-10 ... +60 [+14 ... +140]
Storage temperature range	$^{\circ}\text{C}$ [$^{\circ}\text{F}$]	-40 ... +70 [-40 ... +158]
Relative humidity, non-condensing		
Nominal range	%	20 ... 85
Storage	%	10 ... 90
Indicator		6 digit LED, green
Character height	mm	14
Status indicator		Zero, Gross, Net, Unit, Measuring range, Limit values
Keys		Membrane keypad with 5 keys and LED display, calibration switch on rear with sealable cover
Dimensions without modules	mm	149 x 72 x 48
Dimensions with power pack module (option)	mm	149 x 72 x 125
Panel frame cutout as per DIN 43 700	mm	138 x 68
Weight, approx.	kg	0.4
Degree of protection as per IEC 529		IP20
Degree of protection of front as per IEC 529		IP66
Housing material		Polycarbonate, ABS, EPDM

* Available soon

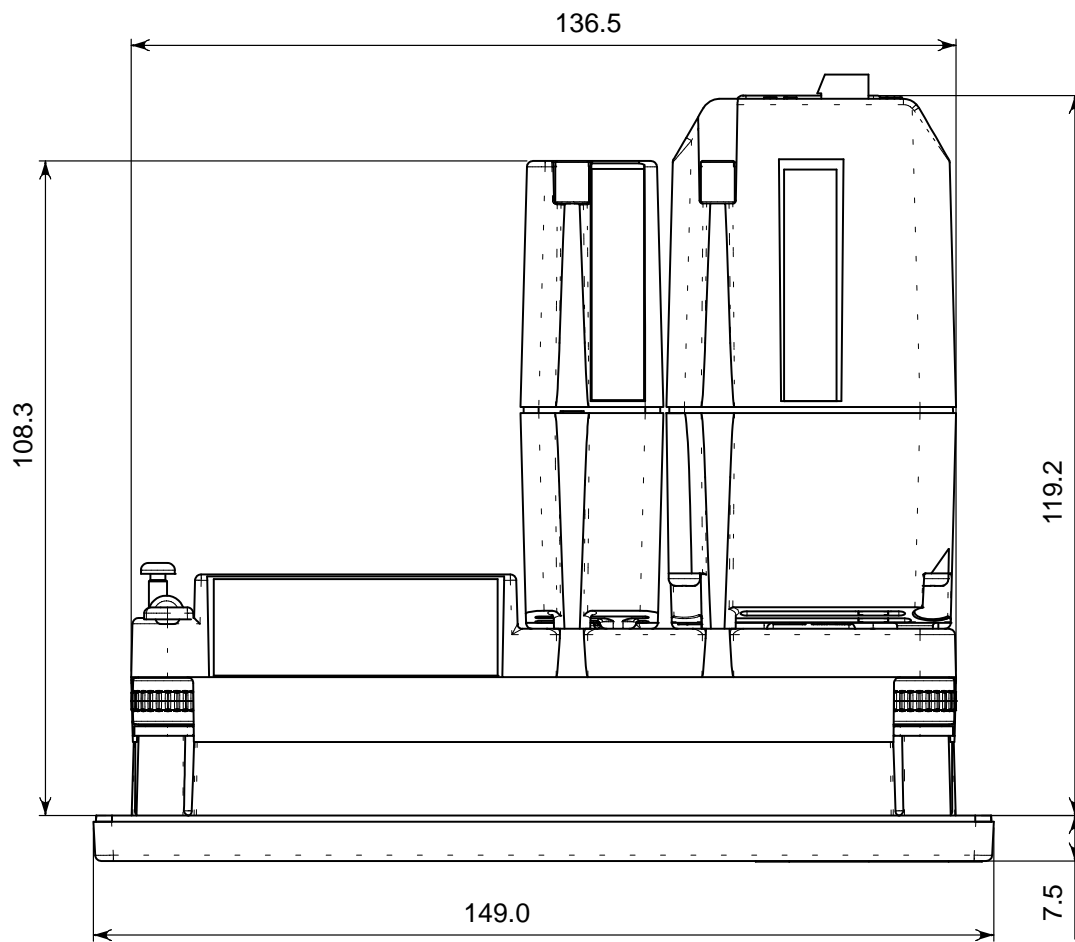
Option dig. inputs/outputs (WE2111-ZS)		8x inputs or outputs (electrically isolated, freely configurable)
Reference level		Gross, Net, Zero, Standstill, Error
Max. voltage	V_{DC}	30
Max. current	mA	400
Functions for inputs		Keys, Lock, Sum, Peak, Hold
Input voltage for High	V_{DC}	≥ 8
Input voltage for Low	V_{DC}	≤ 3
Option combi-card (WE2111-ZCC)		4 ... 20 mA or 0 ... +10 V (electrically isolated) and 1x input, 2x outputs
Output rate (minimum)	Hz	400
Load resistance 0 ... +10 V	Ω	≥ 2000
Load resistance 4 ... 20 mA	Ω	≤ 600
Resolution	bit	16
Digital inputs/outputs		2 electrically isolated inputs/outputs as with WE2111-ZS

Back of device



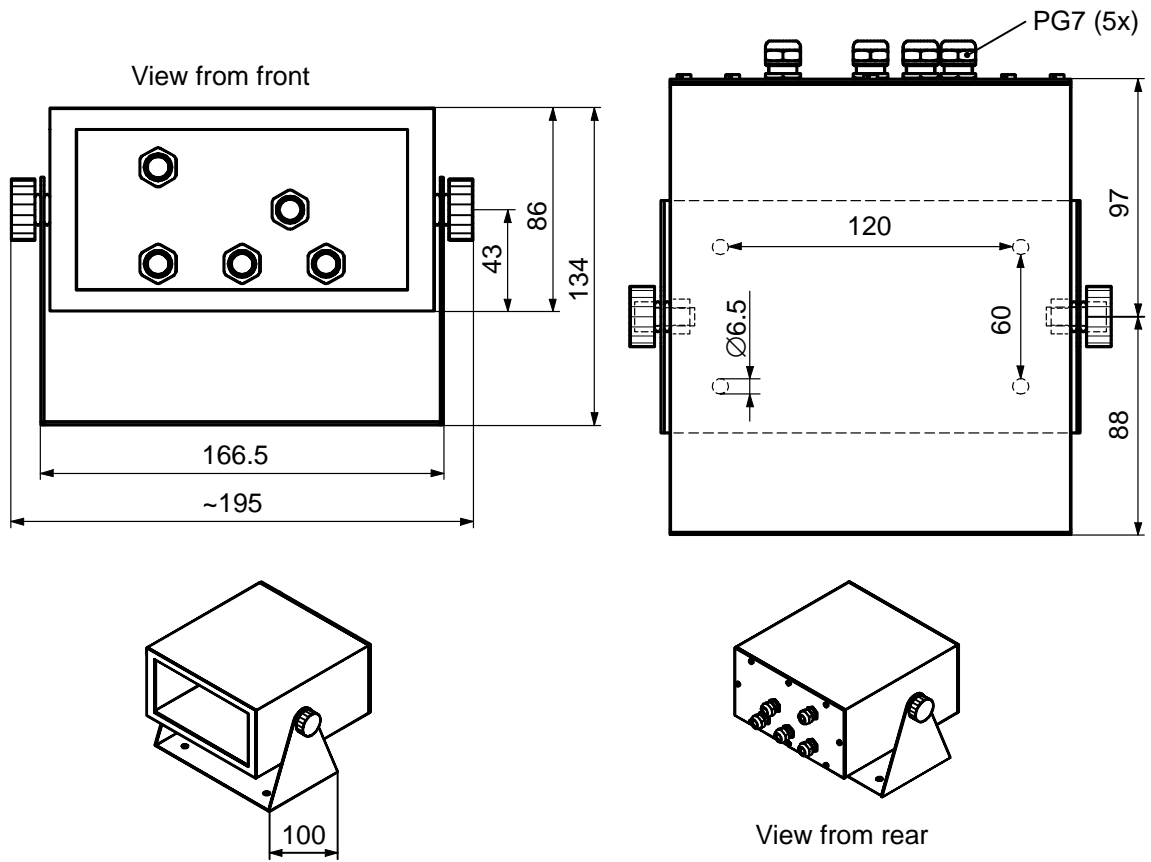
Dimensions with plug-in module and power pack module

Dimensions (in mm; 1 mm = 0.03937 inches)

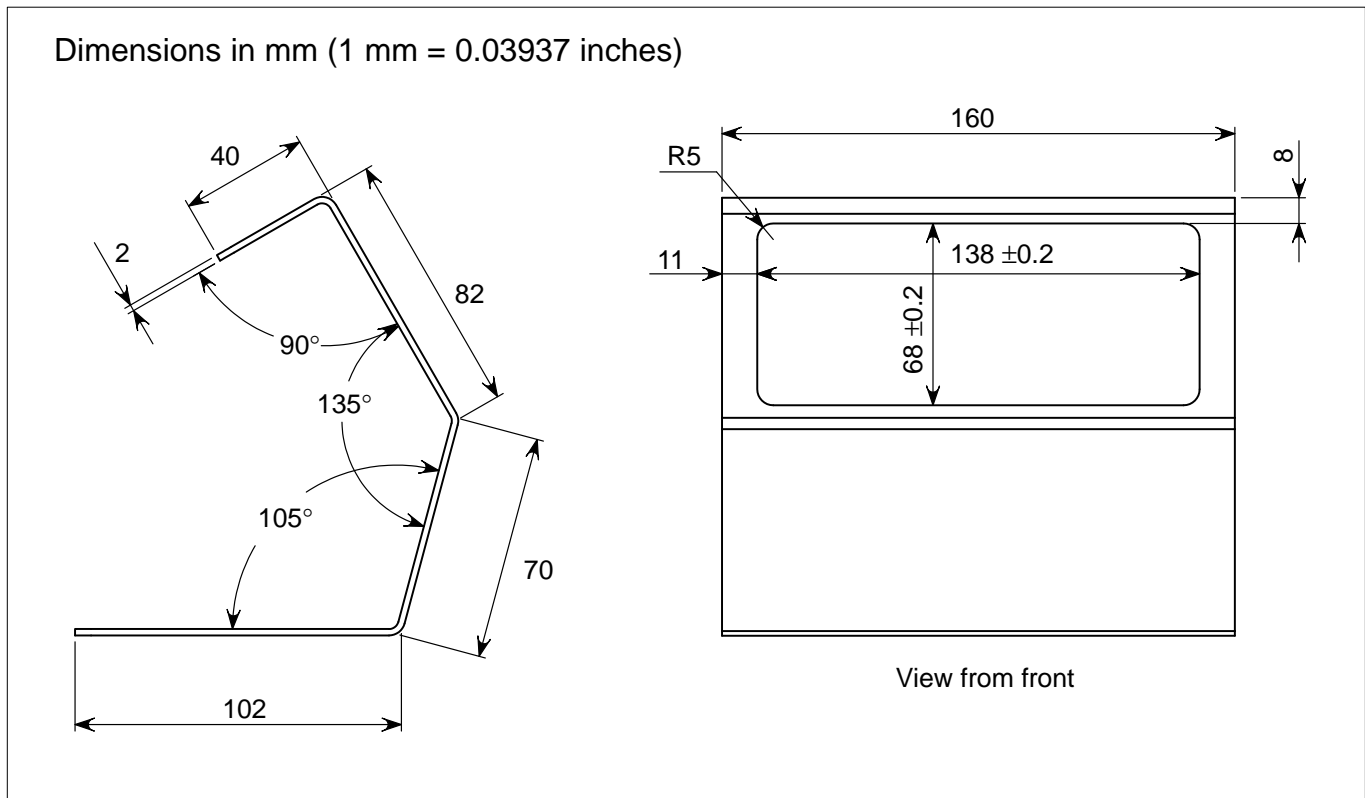


Accessory housing (1-WE2111-ZH)

Dimensions (in mm; 1 mm = 0.03937 inches)



Accessory table stand (1-WE2111-ZT)



Product numbers

1-WE2111 Weighing electronics 12 ... 24 V_{DC}

Optional:

- 1-WE2111-AC** Power pack module 110 ... 240 V_{AC}
- 1-WE2111-ZS** Plug-in module 8x digital inputs or outputs, freely configurable
- 1-WE2111-ZCC** Plug-in module 4 ... 20 mA, 0 ... +10 V and 2x inputs or outputs, freely configurable
- 1-WE2111-R2** Plug-in module with electrically isolated RS-232 interface
- 1-WE2111-R4** Plug-in module with electrically isolated RS-485 interface
- 1-WE2111-ZT** Table stand
- 1-WE2111-ZH** Housing IP65 (1-WE2111-ZH), stainless steel

A total of two modules or one module plus a power pack module AC can be used (two expansion slots). The power pack module contains an additional output with 12V for the digital inputs/outputs.

Subject to modifications.
All product descriptions are for general information only. They are not to be understood as a guarantee of quality or durability.

Hottinger Baldwin Messtechnik GmbH

Im Tiefen See 45 · 64293 Darmstadt · Germany
Tel. +49 6151 803-0 · Fax: +49 6151 803-9100
E-mail: info@hbm.com · www.hbm.com

measure and predict with confidence

