

# T22

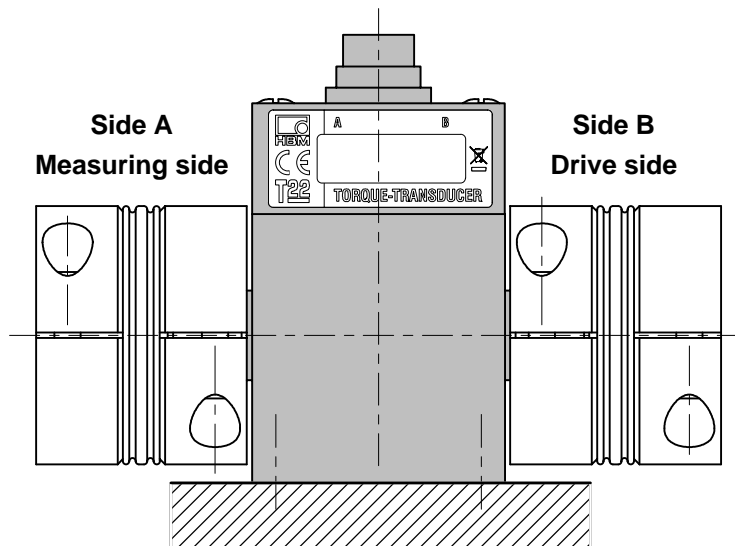
## Torque transducer



### Special features

- Nominal (rated) torques 5 N·m, 10 N·m, 20 N·m, 50 N·m, 100 N·m, 200 N·m, 500 N·m and 1 kN·m
- Nominal (rated) rotational speeds of 9000 rpm to 16 000 rpm
- Accuracy class: 0.5
- Contactless transmission of measurement signals
- Measurement on rotating or stationary parts
- Cylindrical shaft ends for non-play friction joints
- $\pm 5$  V and  $10 \pm 8$  mA torque output signal

### Installation example with two bellows couplings



# Specifications

Type	T22									
Accuracy class	0.5									
Torque measuring system										
Nominal (rated) torque $M_{nom}$	N·m	5	10	20	50	100	200	500		
	kN·m								1	
<b>Nominal (rated) sensitivity</b> (span between torque = zero and nominal (rated) torque $M_{nom}$ )	Voltage output	V	5							
	Current output	mA	8							
<b>Sensitivity tolerance</b> (deviation of the actual output quantity at $M_{nom}$ from the nominal (rated) sensitivity)	Voltage output	%	± 0.2							
	Current output	%	± 0.2							
<b>Output signal at torque = zero</b>	Voltage output	V	0 ± 0.2							
	Current output	mA	10 ± 0.2							
<b>Nominal (rated) output signal</b>	Voltage output									
	at positive nominal (rated) torque	V	+5							
	at negative nominal (rated) torque	V	-5							
	Current output									
	at positive nominal (rated) torque	mA	+18							
	at negative nominal (rated) torque	mA	+2							
	<b>Load resistance</b> (Voltage output)	MΩ	>1							
	<b>Burden</b> (current output)	with $U_B = 12\text{ V}$	Ω	250						
		with $U_B = 24\text{ V}$	Ω	500						
	<b>Longterm drift over 48h</b>	Voltage output	mV	< ± 50						
		Current output	μA	< ± 80						
	<b>Cut-off frequency (-3 dB)</b> (volt. output / current output)		kHz	1						
<b>Group delay</b> (voltage output / current output)		μs	450							
<b>Residual ripple</b>	Voltage output	mV <sub>pp</sub>	< 100							
	Current output	mA <sub>pp</sub>	< 0.1							
<b>Effect of temperature per 10 K in the nominal (rated) temperature range</b>	on the <b>output signal</b> , related to the actual value of the signal span	%	≤ ± 0.2							
	on the <b>zero signal</b> , relat. to the nominal (rated) sensitivity	%	≤ ± 0.5							
<b>Power supply</b>	Nominal (rated) supply voltage range	V (DC)	11.5 ... 30							
	Current consumption in measuring mode	A	< 0.2							
	Nominal (rated) power consumption	W	< 2.4							
	Permissible residual ripple of supply voltage	mV <sub>pp</sub>	200							
<b>Linearity error including hysteresis</b> , related to the nominal (rated) sensitivity		%	≤ ± 0.3							
<b>Rel. standard deviation of repeatability</b> per DIN 1319, related to the variation of the output signal		%	≤ ± 0.1							
<b>Max. level control range</b> <sup>1)</sup>		%	≤ 120							
			voltage output / current output							

1) Output signal range in which there is a repeatable correlation between torque and output signal.

## Specifications (continued)

Nominal (rated) torque $M_{nom}$	N-m	5	10	20	50	100	200	500	
	kN-m								1
<b>General data</b>									
<b>EMC 2)</b> <b>Immunity from interference</b> (DIN EN 61326-1 / EN 61000-6)									
Enclosure HF line interference 150 kHz – 80 MHz (AM)	V				10 / A				
ESD (electrostatic discharge)	kV kV				Air 8 / A Contact 4 / A				
Enclosure Electromagnetic field 80 MHz – 1000 MHz (AM)	V/m				10 / A				
1400 MHz – 2700 MHz (AM)	V/m				3 / A				
Lines – Connecting cable Burst (fast transients)	kV				2 / A				
<b>Emission (EME)</b> (EN 61326-1 / EN 55011)									
RFI voltage (interference voltage at DC mains connection)	–				Class B (150 kHz – 30 MHz)				
RFI field strength (Electromagnetic RFI field strength)	–				Class B (30 MHz – 1000 MHz)				
<b>Degree of protection per EN 60529</b>					IP 40				
<b>Nominal (rated) temperature range</b>	°C [°F]				+5...+45 [+41...+113]				
<b>Operating temperature range</b>	°C [°F]				0...+60 [+32...+140]				
<b>Storage temperature range</b>	°C [°F]				-5...+70 [+23...+158]				
<b>Impact resistance, test severity level per DIN IEC 68; Part 2-27; IEC 68-2-29-1987</b>									
number	n				1000				
duration	ms				3				
acceleration (halfsine)	m/s <sup>2</sup>				650				
<b>Vibration resistance, test severity level per DIN IEC 68, Part 2-6: IEC 68-2-6-1982</b>									
frequency range	Hz				5 ... 65				
duration	h				1.5				
acceleration (amplitude)	m/s <sup>2</sup>				50				
<b>Nominal (rated) rotational speed <math>n_{nom}</math></b>	min <sup>-1</sup>		16 000			12 000		9 000	
<b>Load limits 3)</b>									
<b>Limit torque, related to <math>M_{nom}</math></b>	%				200 <sup>5)</sup>				
<b>Breaking torque, related to <math>M_{nom}</math></b>	%				> 280				
<b>Longitudinal limit force</b>	kN	0.9	0.9	0.9	1.6	1.6	1.6	4	4
<b>Lateral limit force</b>	N	25	45	90	210	420	850	1400	2800
<b>Bending limit moment</b>	N-m	0.5	0.9	1.9	5.5	11	22	54	109
<b>Oscillation width per DIN 50100 (peak-to-peak)<sup>4)</sup></b>	%				80				

2) Test severity / criterion: Industrial environment, cable length  $\leq 30$  m. Application not outside buildings.

3) Each type of irregular stress (bending moment, lateral or longitudinal force, exceeding nominal (rated) torque) can only be permitted up to its specified static load limit provided none of the others can occur at the same time. If this condition is not met, the limit values must be reduced. If 30% of the bending limit moment and lateral limit force occur at the same time, only 40% of the longitudinal limit force is permissible and the nominal (rated) torque must not be exceeded. The permissible bending moments, longitudinal forces and lateral forces can affect the measurement result by approx. 1 % of the nominal (rated) torque.

4) The nominal (rated) torque must not be exceeded.

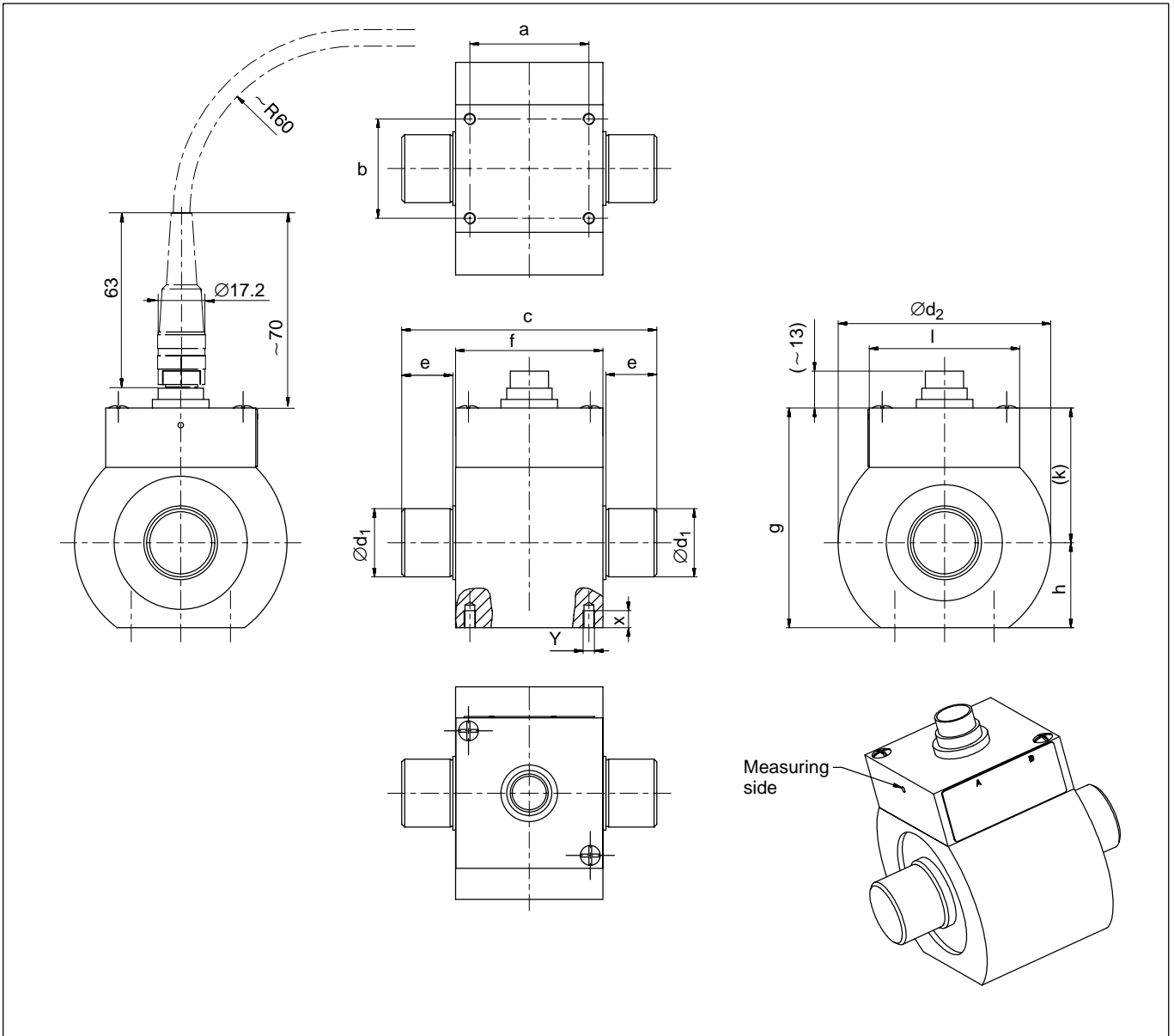
5) Please adhere to the maximum torque ( $T_{max}$ ) of the couplings.

## Specifications (continued)

Nominal (rated) torque $M_{nom}$	N·m	5	10	20	50	100	200	500	
	kN·m								1
<b>Mechanical values</b>									
Torsional stiffness $c_T$	kN·m/ rad	1.1	2.7	5.4	19.7	35.5	52.4	288.6	418.9
Torsion angle at $M_{nom}$	Deg.	0.26	0.21	0.21	0.15	0.16	0.22	0.10	0.14
Max. limits for relative shaft vibration (peak-to-peak) <sup>6)</sup>	μm	$s_{max} = \frac{4500}{\sqrt{n}}$ (n in rpm)							
Rms value for the vibration velocity of the enclosure designated in VDI 2056	mm/s	$v_{eff} = \frac{\sqrt{n}}{3}$ (n in rpm)							
<b>Mass moment of inertia</b>									
total	$10^{-3}$	13.4	13.5	13.6	39.8	40.5	42.4	335.0	351.9
drive side of shaft	$g \cdot m^2$	11.6	11.7	11.7	29.2	29.6	30.5	187.9	196.3
measuring side of shaft		1.8	1.8	1.9	10.6	10.9	11.9	147.1	155.6
<b>Weight</b>	g	350			600			2000	

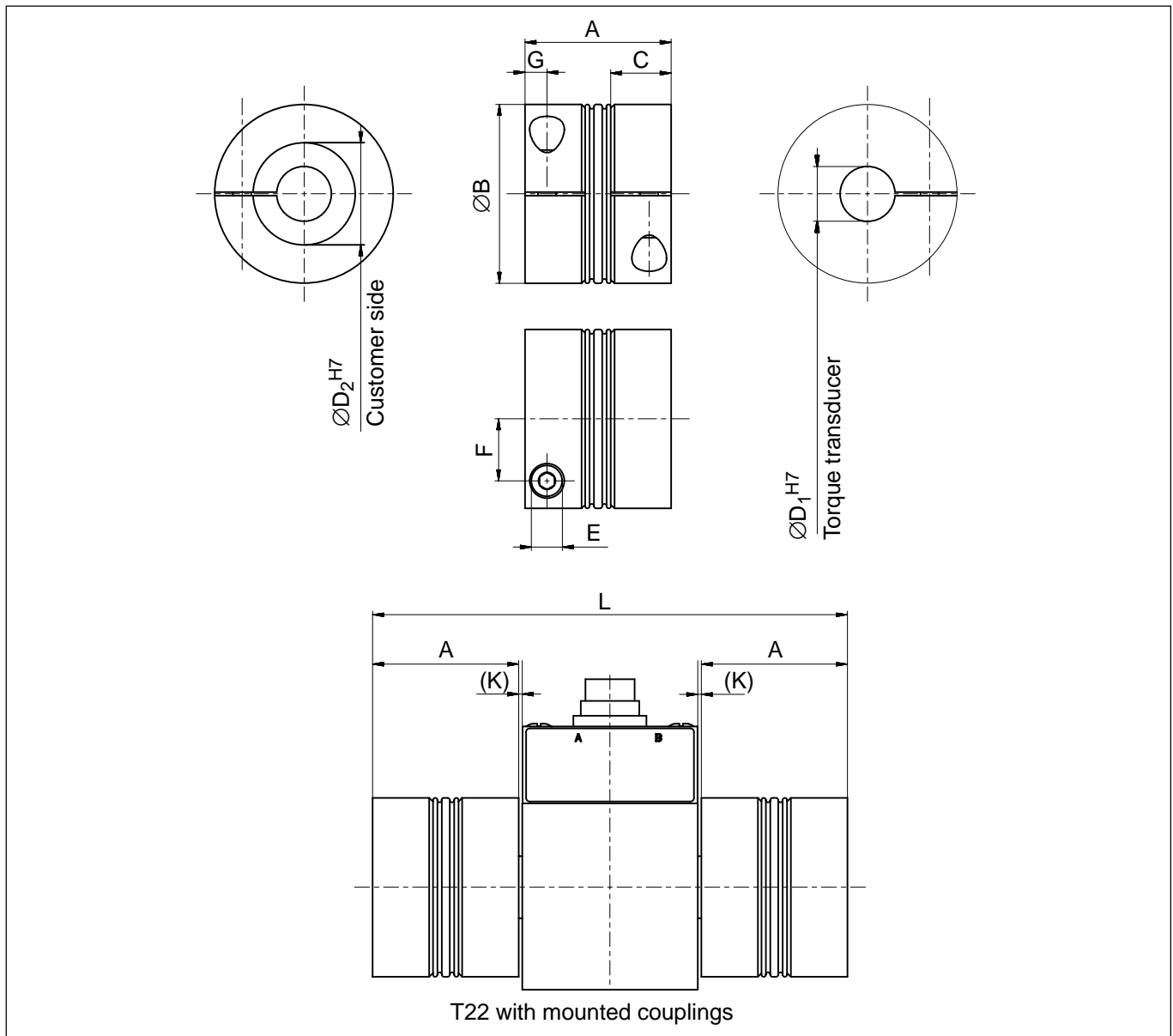
<sup>6)</sup> Relative undulation in the area of the connecting shaft stubs, following DIN 45670/VDI 2059

## Dimensions of the T22



Measuring range (N·m)	Dimensions (in mm)												
	a	b	c	e	f	g	h	(k)	l	$\varnothing d_1$ g6	$\varnothing d_2 \pm 0,1$	Y	X
5	39	31	80	15	48	72	28	44	52.75	15	70	M4	6
10													
20													
50	42	35	90	18	52	77.5	30	47.5	53	24	75	M4	6
100													
200	50	55	120	26	65	97.5	40	57.5	75.5	40	105	M5	10
500													
1k													

## Bellows couplings

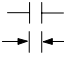
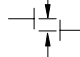



## Dimensions

Measuring range (N·m)	Part no.	Dimensions (in mm)									
		A	$\varnothing B$	C	$\varnothing D_1$	$\varnothing D_2$ variable from-to	E	F	G	L	(K)
5	3-4412.0020	40	49	16.5	15	15-28	M5	17	6	130	1
10											
20											
50	3-4412.0021	59	66	23	24	24-35	M8	23	9.5	172	1
100											
200											
500	3-4412.0022	89	110	34	40	40-60	M12	39	13	246	1.5
1k											

When ordering, please specify: connection holes  $D_2$  as requested by the customer within specified limits; boring tolerance H7.

## Specifications

Measuring range (N·m)	Torque coupling $T_{Kmax}$ (N·m)	Mass moment of inertia ( $10^{-3}$ kg·m <sup>2</sup> )	Weight (kg)	Torsional stiffness (kN·m/rad)	Max. permissible offset			Spring stiffness		Material hub and fixing ring	Tightening torque for clamping bolts (N·m)
					axial (mm) 	radial (mm) 	angular (degree) 	axial (N/mm)	radial (N/mm)		
5	20	0.05	0.13	41.9	1.0	0.06	0.5	55.8	3710	aluminum	8
10											
20											
50	200	0.18	0.4	138	1.0	0.08	0.5	153	11000		40
100											
200											
500	1000	7.2	4.0	1210	1.5	0.1	0.5	148	9010	steel	130
1k											

## General instructions

- Only tighten the clamping bolts of the couplings when the shafts are mounted in the coupling hubs!
- The bellows coupling must not be overstretched beyond the specified permissible flexibility limits.
- Drive and output shafts must be free from grease and burrs.
- Implement a tolerance of j6 for the shaft diameter, to produce the preferred fit of H7/j6.

## Mounting position

The T22 torque transducer can be operated with bellows couplings in any mounting position (horizontally, vertically or at an angle). When mounting vertically or at an angle, please make sure that the additional elements are adequately supported.

## Delivery condition

The couplings and the torque transducer are delivered as separate items.

## **Accessories for the T22, to be ordered separately**

Transducer connection cable, 5 m long, order no. 3-3301.0158

Transducer connection cable, 10 m long, order no. 3-3301.0159

Cable socket, 12-pin (Binder), order no. 3-3312.0268

Bellows couplings

Junction box, order no. 1-VK20A

## **Accessories for junction box VK20A, to be ordered separately**

Connection cable, 1.5 m long (D-Sub, 15-pin – free ends), order no. 1-Kab151-1.5

Connection cable, 1.5 m long (SUBCON5 – free ends), order no. 1-Kab152-1.5

Modifications reserved.

All details describe our products in general form only.  
They are not to be understood as a guarantee of quality  
or durability and do not constitute any liability whatsoever.

B2318-2.0 en

### **Hottinger Baldwin Messtechnik GmbH**

Postfach 10 01 51, D-64201 Darmstadt, Germany

Im Tiefen See 45, D-64293 Darmstadt, Germany

Tel.: +49 6151 803-0 Fax: +49 6151 803 9100

E-mail: support@hbm.com Internet: www.hbm.com



measurement with confidence