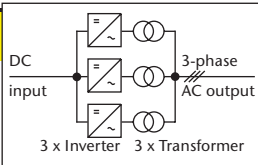


Features

- DC input: 20 – 800 V
- AC output: 200 / 400 / 480 V, 3-phase
- 40 – 400 Hz or fixed frequency (crystal stabilized)
- Sine wave
- Continuous short circuit protection
- Thermal shutdown with auto restart for inverter systems > 2 kVA
- Industrial grade components
- Suitable for complex load
- Surge power capability
- Unsymmetrical load permissible
- Modular system with interchangeable inverters



Series IV Switch mode inverters with output transformers for isolation and voltage transformation

| Input VDC | | | | | | | | | | | | | | | | Cooling | Output VAC line-to-line | | | | |
|-----------|------------|------|-----------|-----------|------------|-----------|------------|------------|-----------|-------------|---------------------------|-------------|-------------|------------|-------------------------|------------|-------------------------|--------------------------|--------------------------|------|------|
| 20–32 VDC | Output kVA | Size | 40–64 VDC | 50–80 VDC | Output kVA | Size | 80–160 VDC | Output kVA | Size | 160–320 VDC | 340–400 ¹⁾ VDC | 340–640 VDC | 450–800 VDC | Output kVA | Size | | | | | | |
| IV 5526 | 0.6 | A | IV 5536 | IV 5546 | 1.2 | A | IV 5556 | 1.5 | A | IV 5576 | IV 5586 Z | IV 5676 G | | | 1.8 | A | 3 x 200 | | | | |
| | | | IV 5636 | IV 5646 | 1.5 | B | IV 5656 | 3 | C | IV 5676 Z | IV 5686 Z | | | | 3.6 | C | | | | | |
| | | | IV 5836 | IV 5846 | 3.6 | E+T1 | IV 5856 | 6 | E+T2 | IV 5776 | IV 5786 Z | | | | IV 5776 G | IV 5776 K | | 5.4 | D+T2 | | |
| | | | | IV 6236 | IV 6246 | 6 | G+T2 | IV 6256 | 9 | G+T3 | IV 5876 | | | | IV 5886 Z | IV 5876 G | | IV 5876 K | 7.5 | E+T3 | |
| | | | | | IV 6436 | IV 6446 | 9 | G+T3 | IV 6456 | 15 | G+T5 | | | | IV 5876 F ²⁾ | IV 5886 ZF | | IV 5876 GF ²⁾ | IV 5876 KF ²⁾ | 10 | F+T4 |
| | | | | | | IV 6276 G | 15 | G+T5 | IV 6276 Z | 15 | G+T5 | | | | IV 6276 G | IV 6276 K | | 15 | G+T5 | | |
| IV 6476 G | 24 | G+T6 | IV 6476 Z | 24 | G+T6 | IV 6476 G | IV 6476 K | 24 | G+T6 | | | | | | | | | | | | |
| IV 6676 G | 30 | G+T7 | IV 6676 Z | 30 | G+T7 | IV 6676 G | IV 6676 K | 30 | G+T7 | | | | | | | | | | | | |
| IV 5528 | 0.6 | A | IV 5538 | IV 5548 | 1.2 | A | IV 5558 | 1.5 | A | IV 5578 | IV 5588 Z | IV 5678 G | | | 1.8 | A | 3 x 400 | | | | |
| | | | IV 5638 | IV 5648 | 1.5 | B | IV 5658 | 3 | C | IV 5678 Z | IV 5688 Z | | | | 3.6 | C | | | | | |
| | | | IV 5838 | IV 5848 | 3.6 | E+T1 | IV 5858 | 6 | E+T2 | IV 5778 | IV 5788 Z | | | | IV 5778 G | IV 5778 K | | 5.4 | D+T2 | | |
| | | | | IV 6238 | IV 6248 | 6 | G+T2 | IV 6258 | 9 | G+T3 | IV 5878 | | | | IV 5888 Z | IV 5878 G | | IV 5878 K | 7.5 | E+T3 | |
| | | | | | IV 6438 | IV 6448 | 9 | G+T3 | IV 6458 | 15 | G+T5 | | | | IV 5878 F ²⁾ | IV 5888 ZF | | IV 5878 GF ²⁾ | IV 5878 KF ²⁾ | 10 | F+T4 |
| | | | | | | IV 6278 G | 15 | G+T5 | IV 6278 Z | 15 | G+T5 | | | | IV 6278 G | IV 6278 K | | 15 | G+T5 | | |
| IV 6478 G | 24 | G+T6 | IV 6478 Z | 24 | G+T6 | IV 6478 G | IV 6478 K | 24 | G+T6 | | | | | | | | | | | | |
| IV 6678 G | 30 | G+T7 | IV 6678 Z | 30 | G+T7 | IV 6678 G | IV 6678 K | 30 | G+T7 | | | | | | | | | | | | |
| IV 5529 | 0.6 | A | IV 5539 | IV 5549 | 1.2 | A | IV 5559 | 1.5 | A | IV 5579 | IV 5589 Z | IV 5679 G | | | 1.8 | A | 3 x 480 | | | | |
| | | | IV 5639 | IV 5649 | 1.5 | B | IV 5659 | 3 | C | IV 5679 Z | IV 5689 Z | | | | 3.6 | C | | | | | |
| | | | IV 5839 | IV 5849 | 3.6 | E+T1 | IV 5859 | 6 | E+T2 | IV 5779 | IV 5789 Z | | | | IV 5779 G | IV 5779 K | | 5.4 | D+T2 | | |
| | | | | IV 6239 | IV 6249 | 6 | G+T2 | IV 6259 | 9 | G+T3 | IV 5879 | | | | IV 5889 Z | IV 5879 G | | IV 5879 K | 7.5 | E+T3 | |
| | | | | | IV 6439 | IV 6449 | 9 | G+T3 | IV 6459 | 15 | G+T5 | | | | IV 5879 F ²⁾ | IV 5889 ZF | | IV 5879 GF ²⁾ | IV 5879 KF ²⁾ | 10 | F+T4 |
| | | | | | | IV 6279 G | 15 | G+T5 | IV 6279 Z | 15 | G+T5 | | | | IV 6279 G | IV 6279 K | | 15 | G+T5 | | |
| IV 6479 G | 24 | G+T6 | IV 6479 Z | 24 | G+T6 | IV 6479 G | IV 6479 K | 24 | G+T6 | | | | | | | | | | | | |
| IV 6679 G | 30 | G+T7 | IV 6679 Z | 30 | G+T7 | IV 6679 G | IV 6679 K | 30 | G+T7 | | | | | | | | | | | | |

= natural convection = temperature controlled fans

Frequency Designation

- | | |
|-----|---|
| .1 | 40 - 400 Hz adjustable / programmable |
| .2 | 45 - 65 Hz adjustable / programmable |
| .3 | any fixed frequency between 40 - 400 Hz |
| .4 | 400 Hz |
| .5 | 50 Hz |
| .51 | synchronized with 50 Hz mains |
| .6 | 60 Hz |
| .61 | synchronized with 60 Hz mains |
| .7 | 50/60 Hz switchable |

Assistance in table use:

- Select the column for input voltage range.
- Select the row for the appropriate output voltage and power.
- The intersection of both results in the module required.
- Add the required frequency designation to the part number.

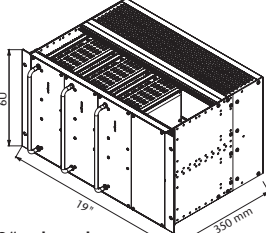
For example:

- Input voltage = 220 VDC
- output voltage = 3 x 400 VAC, 50 Hz @ 7.5 kVA
- results in a IV 5878
- for 50 Hz add .5, i.e. IV 5878.5

roman.xiao@fitpower.cn | www.fitpower.cn

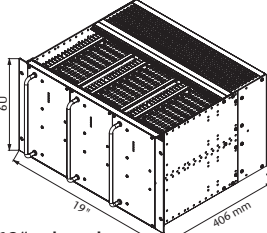
¹⁾ input supply from PFC also suitable

²⁾ input voltage range to be narrowed



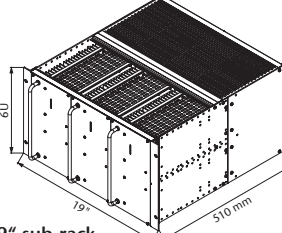
Size A

19" sub-rack including pluggable inverters and transformers, approx. 22 - 27 kg



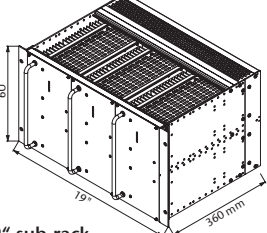
Size B

19" sub-rack including pluggable inverters and transformers, approx. 33 kg



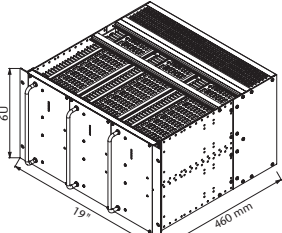
Size C

19" sub-rack including pluggable inverters and transformers, approx. 40 kg



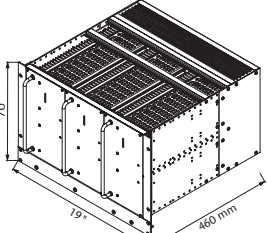
Size D

19" sub-rack including pluggable inverters, approx. 24 kg (transformers external)



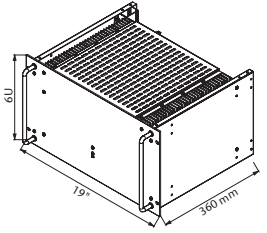
Size E

19" sub-rack including pluggable inverters, approx. 27 kg (transformers external)



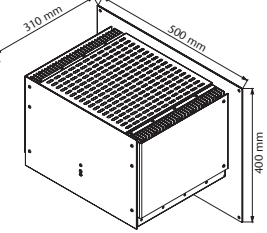
Size F

19" sub-rack including pluggable inverters, approx. 28 kg (transformers external)



Size G

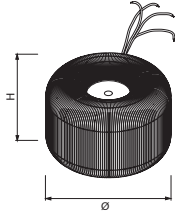
19" Plug-in module / approx. 32 kg



Size H

with wall plate (optional) approx. 36 kg

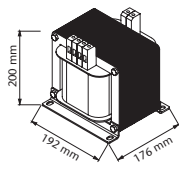
Attention:
For 3-phase system
3 modules are required.



Size T1 - T3

| Transformer | Ø in mm | H in mm | Weight in kg | Power in kVA |
|-------------|------------|------------|-----------------|-----------------|
| T1 | 190 | 75 | 8.6 | 1.4 |
| T2 | 205 | 85 | 12 | 2 |
| T3 | 243 | 85 | 15 | 3 |

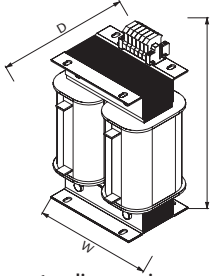
Transformers refer to 50/60 Hz at the output. Other frequencies or tropical insulation may change size and weight.
Attention: For 3-phase system 3 transformers are required.



Size T4

Transformer refers to 50/60 Hz at the output. Other frequencies or tropical insulation may change size and weight.
Attention: For 3-phase system 3 transformers are required.

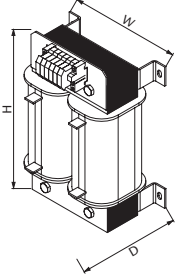
approx. 23 kg / 3.4 kVA



Size T5 - T7

| Transformer | H in mm | W in mm | D in mm | Weight in kg | Power in kVA |
|-------------|------------|------------|------------|-----------------|-----------------|
| T5 | 390 | 240 | 233 | 33 | 5 |
| T6 | 450 | 280 | 253 | 50 | 8 |
| T7 | 450 | 280 | 283 | 66 | 12 |

Transformers refer to 50/60 Hz at the output. Other frequencies or tropical insulation may change size and weight.
Attention: For 3-phase system 3 transformers are required.



Size T5 - T7

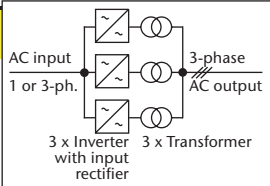
| Transformer | H in mm | W in mm | D in mm | Weight in kg | Power in kVA |
|-------------|------------|------------|------------|-----------------|-----------------|
| T5 | 335 | 230 | 210 | 33 | 5 |
| T6 | 390 | 260 | 240 | 50 | 8 |
| T7 | 390 | 260 | 270 | 66 | 12 |

Transformers refer to 50/60 Hz at the output. Other frequencies or tropical insulation may change size and weight.
Attention: For 3-phase system 3 transformers are required.

Frequency Converters (AC / AC Inverters) with 3-phase output

Features

- AC input: 1 or 3-phase, 47 – 400 Hz
- AC output: 200 / 400 / 480 V, 3-phase
- 40 – 400 Hz or fixed frequency (crystal stabilized)
- Sine wave
- Continuous short circuit protection
- Thermal shutdown with auto restart for inverter systems > 2 kVA
- Industrial grade components
- Suitable for complex load
- Surge power capability
- Unsymmetrical load permissible
- Modular system with interchangeable inverters



Series IV Switch mode inverters with output transformers for isolation and voltage transformation

| Input VAC 1-Phase | Output kVA | Size | Input VAC | | | | Output kVA | Size | Cooling | Output VAC line-to-line |
|----------------------|---------------|------|-------------------------------------|---------------------------------------|---------------------------------------|---------------------------------------|---------------|------|---------|-------------------------------|
| | | | 1-Phase | 3-Phase | | | | | | |
| 115 ±20% | | | 230 ^{+15%} _{-20%} | 3x200 ^{+15%} _{-20%} | 3x400 ^{+15%} _{-20%} | 3x480 ^{+10%} _{-15%} | | | | |
| IV 5566 | 1.5 | A | IV 5586 | IV 5566 V | | | 1.8 | A | 3 x 200 | |
| IV 5666 | 3 | C | IV 5686 | IV 5666 V | IV 5686 V | | 3.6 | C | | |
| IV 5766 | 3.6 | D+T1 | IV 5786 | IV 5766 V | IV 5786 V | IV 5796 V | 5.4 | D+T2 | | |
| IV 5866 | 6 | E+T2 | IV 5886 | IV 5866 V | IV 5886 V | IV 5896 V | 7.5 | E+T3 | | |
| IV 6266 | 9 | G+T3 | IV 6286 | IV 6266 V | IV 6286 V | IV 6296 V | 15 | G+T5 | | |
| IV 6466 | 15 | G+T5 | IV 6486 | IV 6466 V | IV 6486 V | IV 6496 V | 24 | G+T6 | | |
| | | | | | IV 6686 V | IV 6696 V | 36 | G+T7 | | |
| IV 5568 | 1.5 | A | IV 5588 | IV 5568 V | | | 1.8 | A | 3 x 400 | |
| IV 5668 | 3 | C | IV 5688 | IV 5668 V | IV 5688 V | | 3.6 | C | | |
| IV 5768 | 3.6 | D+T1 | IV 5788 | IV 5768 V | IV 5788 V | IV 5798 V | 5.4 | D+T2 | | |
| IV 5868 | 6 | E+T2 | IV 5888 | IV 5868 V | IV 5888 V | IV 5898 V | 7.5 | E+T3 | | |
| IV 6268 | 9 | G+T3 | IV 6288 | IV 6268 V | IV 6288 V | IV 6298 V | 15 | G+T5 | | |
| IV 6468 | 15 | G+T5 | IV 6488 | IV 6468 V | IV 6488 V | IV 6498 V | 24 | G+T6 | | |
| | | | | | IV 6688 V | IV 6698 V | 36 | G+T7 | | |
| IV 5569 | 1.5 | A | IV 5589 | IV 5569 V | | | 1.8 | A | 3 x 480 | |
| IV 5669 | 3 | C | IV 5689 | IV 5669 V | IV 5689 V | | 3.6 | C | | |
| IV 5769 | 3.6 | D+T1 | IV 5789 | IV 5769 V | IV 5789 V | IV 5799 V | 5.4 | D+T2 | | |
| IV 5869 | 6 | E+T2 | IV 5889 | IV 5869 V | IV 5889 V | IV 5899 V | 7.5 | E+T3 | | |
| IV 6269 | 9 | G+T3 | IV 6289 | IV 6269 V | IV 6289 V | IV 6299 V | 15 | G+T5 | | |
| IV 6469 | 15 | G+T5 | IV 6489 | IV 6469 V | IV 6489 V | IV 6499 V | 24 | G+T6 | | |
| | | | | | IV 6689 V | IV 6699 V | 36 | G+T7 | | |

= natural convection = temperature controlled fans

Frequency Designation (output)

| | |
|-----|---|
| .1 | 40 - 400 Hz adjustable / programmable |
| .2 | 45 - 65 Hz adjustable / programmable |
| .3 | any fixed frequency between 40 - 400 Hz |
| .4 | 400 Hz |
| .5 | 50 Hz |
| .51 | synchronized with 50 Hz mains |
| .6 | 60 Hz |
| .61 | synchronized with 60 Hz mains |
| .7 | 50/60 Hz switchable |

Assistance in table use:

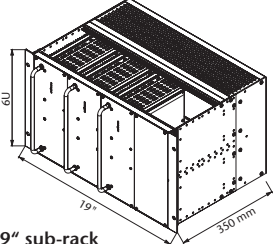
中国区总代理：上海佳余电子科技有限公司

- Select the column for input voltage range.
- Select the row for the appropriate output voltage and power.
- The intersection of both results in the module required.
- Add the required frequency designation to the part number.

For example:

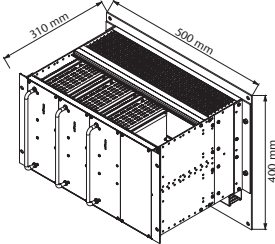
电话：021-50342560 | 手机：13764303579 | 电子邮件：roman.xiao@fitpower.cn | www.fitpower.cn

- Input voltage = 3 x 200 VAC, 60 Hz
- output voltage = 3 x 400 VAC, 400 Hz @ 6 kVA
- results in a IV 5868 V
- for 400 Hz add .4, i.e. IV 5868 V.4

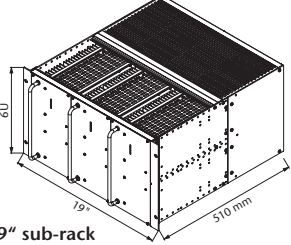


Size A

19" sub-rack including pluggable inverters and transformers, approx. 27 kg

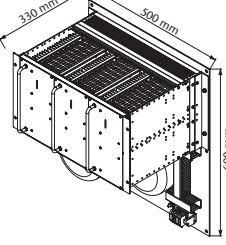


with wall plate (optional) approx. 31 kg

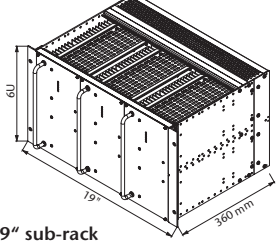


Size C

19" sub-rack including pluggable inverters and transformers, approx. 40 kg

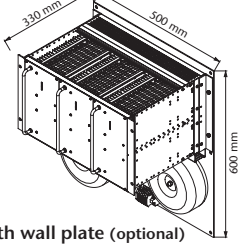


with wall plate (optional) approx. 45 kg

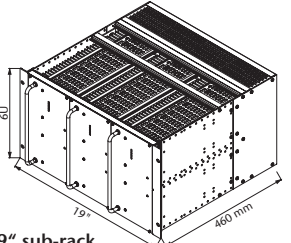


Size D

19" sub-rack including pluggable inverters, approx. 24 kg (transformers external)

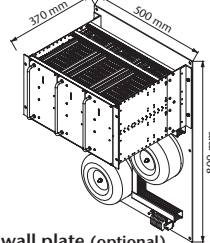


with wall plate (optional) and transformers (T1/T2), approx. 55/65 kg

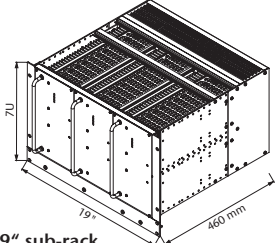


Size E

19" sub-rack including pluggable inverters, approx. 27 kg (transformers external)

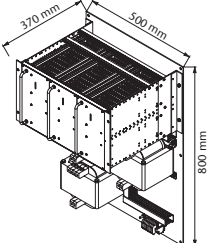


with wall plate (optional) and transformers (T2/T3), approx. 70/80 kg

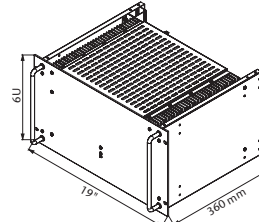


Size F

19" sub-rack including pluggable inverters, approx. 28 kg (transformers external)

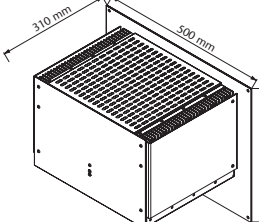


with wall plate (optional) and transformers, approx. 104 kg



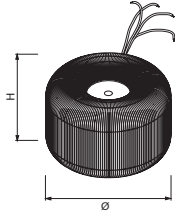
Size G

19" Plug-in module / approx. 32 kg



with wall plate (optional) approx. 36 kg

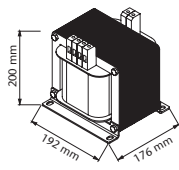
Attention:
For 3-phase system 3 modules are required.



Size T1 - T3

| Transformer | Ø in mm | H in mm | Weight in kg | Power in kVA |
|-------------|---------|---------|--------------|--------------|
| T1 | 190 | 75 | 8.6 | 1.4 |
| T2 | 205 | 85 | 12 | 2 |
| T3 | 243 | 85 | 15 | 3 |

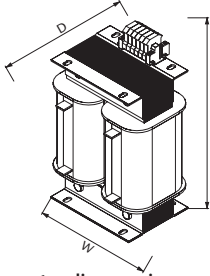
Transformers refer to 50/60 Hz at the output. Other frequencies or tropical insulation may change size and weight.
Attention: For 3-phase system 3 transformers are required.



Size T4

Transformer refers to 50/60 Hz at the output. Other frequencies or tropical insulation may change size and weight.
Attention: For 3-phase system 3 transformers are required.

approx. 23 kg / 3.4 kVA

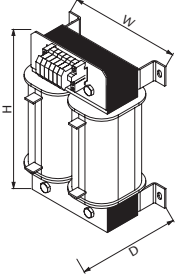


standing version

Size T5 - T7

| Transformer | H in mm | W in mm | D in mm | Weight in kg | Power in kVA |
|-------------|---------|---------|---------|--------------|--------------|
| T5 | 390 | 240 | 233 | 33 | 5 |
| T6 | 450 | 280 | 253 | 50 | 8 |
| T7 | 450 | 280 | 283 | 66 | 12 |

Transformers refer to 50/60 Hz at the output. Other frequencies or tropical insulation may change size and weight.
Attention: For 3-phase system 3 transformers are required.



Wall mount version

Size T5 - T7

| Transformer | H in mm | W in mm | D in mm | Weight in kg | Power in kVA |
|-------------|---------|---------|---------|--------------|--------------|
| T5 | 335 | 230 | 210 | 33 | 5 |
| T6 | 390 | 260 | 240 | 50 | 8 |
| T7 | 390 | 260 | 270 | 66 | 12 |

Transformers refer to 50/60 Hz at the output. Other frequencies or tropical insulation may change size and weight.
Attention: For 3-phase system 3 transformers are required.