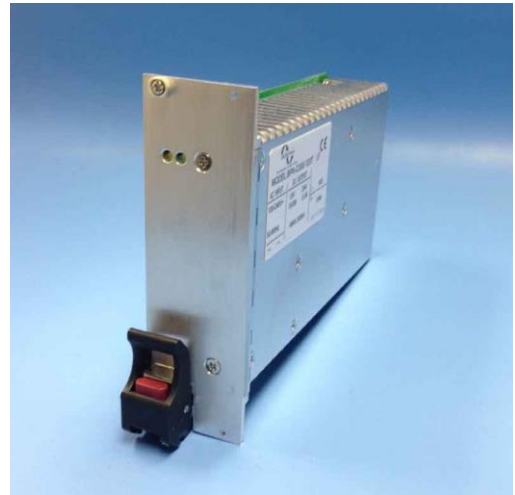


Model: BPA-C300-120E

Total Power	300 Watts
Input Voltages	90-264 VAC
Outputs	Single with 5VSB



SPECIAL FEATURES

- Active Power Factor Correction
- Wide Range Input
- Active Current Share – Single wire
- Remote Sensing
- N+1 Redundancy
- PS Present
- Power Fail
- PS_ON
- Enable
- Temperature Monitoring
- I2C interface
- Hot Pluggable
- UL, cUL and DEMKO
- CE compliant

ENVIRONMENTAL SPECIFICATIONS

Humidity: Up to 95% non-condensing

Storage Temperature: -40° to +85°C

Temperature coefficient: ±0.01% / °C

Ambient Operating Temperature: -40 to +70°C
continuous duty, full rating.

Cooling: forced air cooling required

SAFETY APPROVALS

- UL: 60950-1:2005 (2nd Edition); Am 1:2009
- CUL: 60950-1:2005 (2nd Edition); Am 1:2009
- DEMKO: EN 60950-1:2006, EN 60950-1:2006/A11:2009,
EN 60950-1:2006/A1:2010,
EN 60950-1:2006/A12:2011

ELECTRICAL SPECIFICATIONS

Input Specifications

- Input Range.....90-264 VAC
- Frequency.....50-60 Hz
- EMI filter..... EN55022 Class B, FCC Part 15
- Inrush Current..... ≤32A @ 230 VAC
- Input Current..... 1.3A
- Isolation..... 4242 VDC (Input to Output)
- Efficiency.....>90% @ 220 VAC
- Active PFC..... 0.99
- Switching Frequency.....134 KHz.
- Leakage..... <300uA

Main Output Specifications

- DC Output..... Maximum continuous output power 300W with minimum 10CFM fan cooling required.
- Line Regulation..... ±0.5%
- Load Regulation..... ±1%
- Ripple and Noise.....1% Pk to Pk
- Transient Response..... 2% Maximum deviation; returns to initial condition in 1 msec max.

300-1 Route 17 South Suite B2
Lodi, NJ 07644
Phone: (973) 594-1800 Fax: (973) 594-1804
salesteam@blutekpower.com

BPA-C300-120E – 042814

Model: BPA-C300-120E

ELECTRICAL SPECIFICATIONS (CONT')

Output Specifications

Long Term Stability.....0.01% after 20 minute warm-up.

Hold-Up Time.....20msec minimum

OVP.....Set at 115% to 135%.
Latching method. AC must be recycled to restart the unit.

Short-circuit Protection.....The units will withstand a continuous short without damage. It will automatically return to regulation upon removal of the short.

Overload Protection.....The overload protection feature will reduce the output voltage to a safe dissipation level when the output power rating exceeds 110% of maximum rated power. The unit will automatically return to regulation upon removal of the overload.

ORing FET.....ORing FET provided for redundant operation.

Active Current Share (S2).....12V Output will current share within 5% when interconnected by a single wire

Passive Current Share5VSBY droop type

Remote Sensing (R2/E3).....on 12V Output only

PS_ON (F3).....Digital Input: A logic low enables the Main output of the supply. A low shall not source more than 1ma of current.

Enable (R6).....Digital Input. When driven high, main output is disabled. When Low, power supply main output state is as controlled by PS_ON.

FAL/PWR_FAIL (U2).....Digital output, Open Collector, driven high when outputs are in regulation. It will go low a minimum of 1mS prior to output going out of regulation.

DEG (U5).....Open Collector, temperature warning signal default setting at 85°C will change signal state from Hi to Low or Low to Hi (signal and temperature preferences programmable at factory)

PS Present (H3)..... Digital Output.
Pulled low via 100 Ohm resistor

Thermal Protection.....The power supply has a built in thermal sensor to protect against abnormal temperature conditions.

I²C/PMBUS.....Monitors temperature, output voltage, and output current, connects to a serial NVRAM which is programmed with serial number. PMBUS Standard to allow monitoring of overall operation of power supply.

LED Indicators The power supply will have two LED's providing the power supply status:

All outputs are operating within spec	Steady Green
Standby (PSON disabled)	Blinking Green
Voltage or Temperature warning	Blinking Yellow
Voltage or Temperature fault	Steady Yellow
PSKILL and/or power supply off	NO LED's

OVERALL MECHANICAL DIMENSIONS

Not including face plate and connector
6.40"L x 3.94"H x 1.47"W
162.5mm x 100mm x 37.34mm

Including face plate and connector:
6.67"L x 5.06"H x 1.59"W
169.4mm x 128.5mm x 40.3mm

CONNECTOR

Input/Output.....FCI Connector 51939-667

NOTES

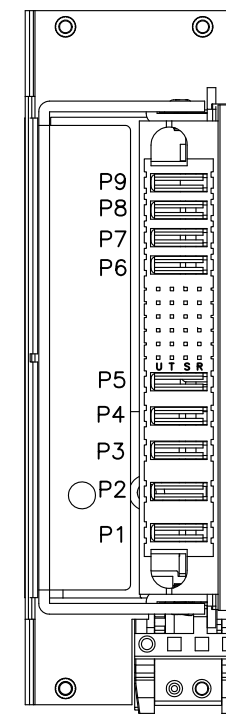
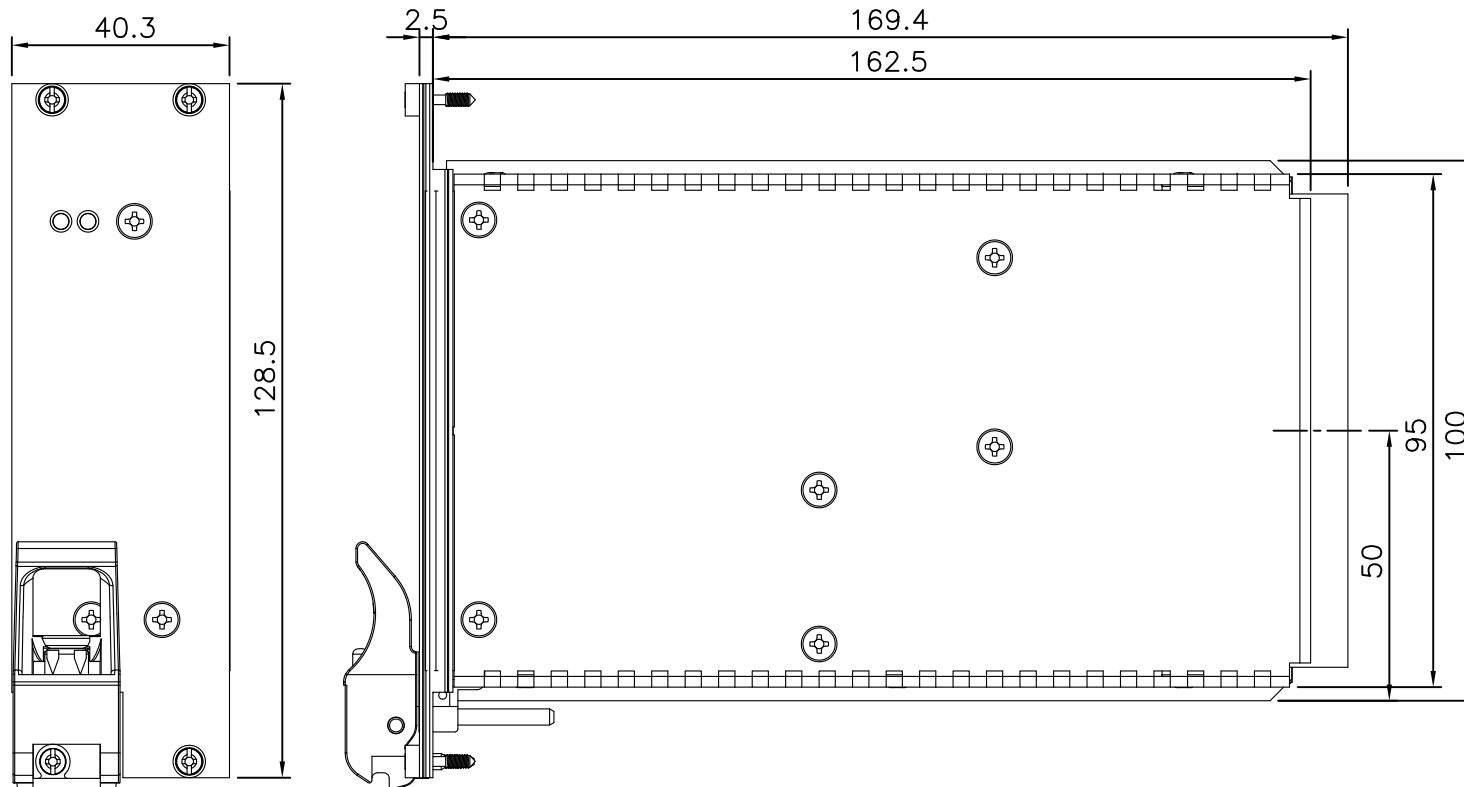
- Specifications subject to change without notice.
- All dimensions in inches/mm
- Warranty: 2 years
- Weight: Approx. 1.6lbs (0.68Kg)

VOLTAGE/CURRENT RATING CHART (All configurations not shown)

Model #	Assignment	Voltages	Minimum	Maximum
BPA-C300-120E	VO1	12V	0A	25.0A
	VO2	5VSB	0A	2.5A

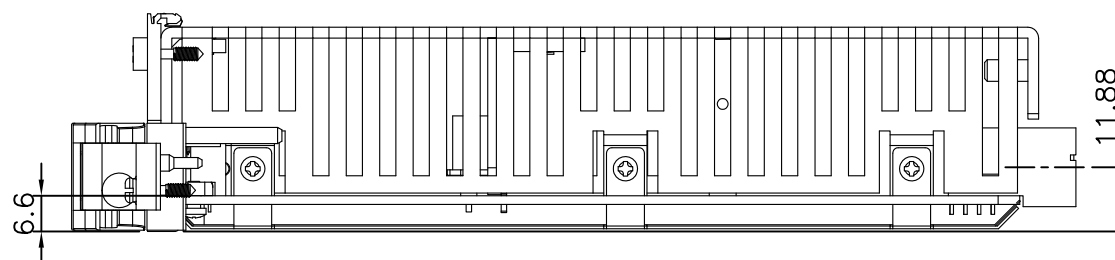
300-1 Route 17 South Suite B2
Lodi, NJ 07644
Phone: (973) 594-1800 Fax: (973) 594-1804
salesteam@blutekpower.com

BPA-C300-120E – 042814



HANDLE P/N:
ELMA 81-189

CONNECTOR:
FCI51939-667



<i>BluTek Power</i>			
TITLE		OUTLINE DRAWING	
DRAWN	L. J. HUN	DRG. NO.	BLU-690
CHECKED		MODEL NO.	BPA-C300-120E

UNIT	mm[inches]	REV. NO.	A	SCALE	0.7 : 1	MAT'L	t=
THIRD				TOL.	± 0.2	DATE	01. 08. 2014



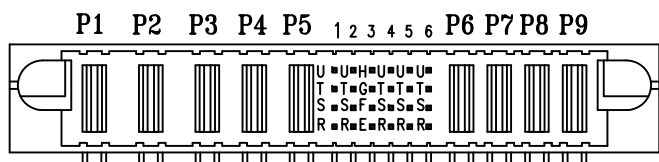
300-1 (B2) Route 17, Loch, NJ 07644

MODEL NO. : BPA-C300-120E LF

INPUTS :

ASSIGNMENT	CURRENT	PIN NBR
LINE: 100-240V~	4A	P1
NEUTRAL:		P2
GND:	50-60Hz	P3

P/N: FCI51939-667



P1	P2	P3	P4	P5	U1	U2	H3	U4	U5	U6	P6	P7	P8	P9
LINE	NEUTRAL	GND	NU	NU	NU	FAL/PWR_FAIL	PSPRESEN	COM	DEG	5VSTBY	COM	COM	+12V OUT	+12V OUT
					T1	T2	G3	T4	T5	T6				
					NU	NU	COM	A0	5VSTBY	5VSTBY				
					S1	S2	F3	S4	S5	S6				
					NU	12VCS	PSON	A1	SCL	COM				
					R1	R2	E3	R4	R5	R6				
NU	-VS	+VS	A2	SDA	ENABLE									

THE SHORTER PINS ARE H3,G3,F3,E3

IN/OUTPUT RATING & PIN ASSIGNMENT

SIZE : A4	FM-4000-34/REV.A-080502'
UNIT : mm[inches]	FILENAME: PPSC0605
REV. NO.: B	DATE : 10. 29. 2013
DRAWN: 洪麗珍 L. J. Hun	CHECKED:

OUTPUTS :

ASSIGNMENT	D.C. VOLTAGE	CURRENT	PIN NBR
V01:	12V ---	25A	P8,P9
DC COM:	G3 (SHORT PIN)		P6,P7,S6,G3,U4
5VSB:	5V ---	2.5A	T5,T6,U6
-VS:			R2
12VCS:			S2
FAL/PWR_FAIL:			U2
+VS:	(SHORT PIN)		E3
PS_ON:	(SHORT PIN)		F3
PS_PRESENT:	(SHORT PIN)		H3
A2:			R4
A1:			S4
A0:			T4
SDA:			R5
SCL:			S5
DEG:			U5
ENABLE:			R6
NU:			P4,P5,R1,S1,T1,U1,T2

MAX 300W WITH FORCED AIR COOLING (MIN. 10CFM)