



- Power the world with highest efficiency -

# 100W, MSL-100Y6



- **Input Voltage /PFC:** 90 ~ 264 Vac / 0.95 (typical)
- **Output Wattage:** 100W, Constant Current – 6 channels
- Fully encapsulated with waterproof **IP67** level compliant,
- Reliability **Protections:** OVP, OTP, SCP
- **High Efficiency:** up to 89%
- **Safety Regulation:** Designed to meet with UL8750 & EN61347
- **MTBF:** 300,000 hrs @ 25°C, full load, 110Vac input
- **Lifetime:** 70,000 Hrs @ 110 Vac Input, 80% load, 25°C ambient Temp.
- **Warranty:** 5-year



| Model No.                 | Output Voltage Range (V)   | Output Current (A) | No. of Channel | OVP (Vmax.) | OTP (°C) | Efficiency (%) | Comment |
|---------------------------|--|--------------------|----------------|-------------|----------|----------------|---------|
| MSL-T0350IC48.0-100Y6 (4) | 42.0 - 48.0  | 0.35               | 6              | 61          | 110      | 89             |         |
| Note                      | (1) Comply with safety standard UL 8750 & EN61347 (2) Designed to meet UL 8750 & EN61347 safety standard, pending to agency certifications<br>(3) Non-Class2 output (USR & CNR) compliant (4) Class2 output (USR), Non-Class2 output (CNR) (5) Class2 output (USA & CNR) compliant |                    |                |             |          |                |         |

| Input Specification   |                                  |      |           |      |       |  |
|-----------------------|----------------------------------|------|-----------|------|-------|--|
| Parameter             | Conditions/ Description          | Min. | Normal    | Max. | units |  |
| Input Voltage Range   | Universal Input                  | 90   | 100 - 240 | 264  | Vac   |  |
| Input Frequency Range |                                  | 47   |           | 63   | Hz    |  |
| Input Current         | 100Vac input, full load output   |      |           | 1.5  | A     |  |
| Power Factor          | At 100 - 240Vac Input            | 0.95 |           |      |       |  |
| Inrush Current        | At 264Vac Input, 25°C cold start |      |           | 100  | A     |  |

| Output Specification             |   |      |        |      |        |  |
|----------------------------------|---|------|--------|------|--------|--|
| Parameter                        | Conditions/ Description                         | Min. | Normal | Max. | units  |  |
| Line Regulation                  |   |      |        | ±1   | %      |  |
| Load Regulation                  |   |      |        | ±3   | %      |  |
| Ripple and Noise                 | 20MHz Bandwidth, refer Note-1                   |      |        | 2    | %pk-pk |  |
| Voltage Over shoot / Under shoot | % of Vout when power turn on or off             |      |        | 10   | %      |  |
| Turn-On Delay                    | Measured at 110Vac - 220Vac Input and Full Load |      |        | 5    | S      |  |

| General Specification          |   |                                       |         |         |          |  |
|--------------------------------|---|---------------------------------------|---------|---------|----------|--|
| Parameter                      | Conditions/ Description   | Min.                                  | Normal  | Max.    | units    |  |
| Efficiency                     | Refer to individual models  | 86                                    |         | 89      | %        |  |
| MTBF                           | Per MIL-HDBK-217F @ 25°C ambient Temperature, full load, 110Vac input |                                       | 300,000 |         | Hours    |  |
| Operating/ Storage Temperature |   | -35 / -40                             |         | 70 / 80 | °C       |  |
| Dimension (L x W x H)          |   | 210.0 x 77.0 x 42.0 / 8.3 x 3.0 x 1.7 |         |         | mm/ inch |  |
| Weight                         |   | 1,300                                 |         |         | g        |  |

| Safety & EMC Compliance |   |              |  |         |  |  |
|-------------------------|---|--------------|--|---------|--|--|
| Parameter               | Standard  | Category     |  | Comment |  |  |
| SAFETY                  | USA & Canada: UL 8750 Compliance to UL 1012, UL 935                 | cUL          |  | Pending |  |  |
|                         | CAN/ CSA-22.2 No. 0, CSA-C22.2 No. 250.0                            |              |  |         |  |  |
|                         | Europe: EN 61347-1, EN61347-2-13                                    | CE           |  | Pending |  |  |
| EMI                     | Conducted emission Test & Radiated emission Test with 6 dB margin   | EN55015      |  | Pending |  |  |
|                         | Harmonic Distortion, Current Emission                               | EN61000-3-2  |  | Pending |  |  |
| EMS                     | Voltage Flicker and Fluctuation                                     | EN61000-3-3  |  | Pending |  |  |
|                         | Electrostatic Discharge (ESD)                                       | EN61000-4-2  |  | Pending |  |  |
|                         | Radiated RFI  | EN61000-4-3  |  | Pending |  |  |
|                         | Fast Transients - burst   | EN61000-4-4  |  | Pending |  |  |
|                         | Input Line Surge Immunity   | EN61000-4-5  |  | Pending |  |  |
|                         | Conducted RFI   | EN61000-4-6  |  | Pending |  |  |
|                         | Power Frequency Magnetic Field                                      | EN61000-4-8  |  | Pending |  |  |
|                         | Voltage Dips  | EN61000-4-11 |  | Pending |  |  |
|                         | Electromagnetic Immunity Requirements Applied to Lighting Equipment | EN61547      |  | Pending |  |  |

| Environmental Protection |                                   |           |  |         |  |  |
|--------------------------|-----------------------------------|-----------|--|---------|--|--|
| Parameter                | Standard                          | Level     |  | Comment |  |  |
| ROHS                     | European Directive 2002 / 95 / EC | Compliant |  |         |  |  |

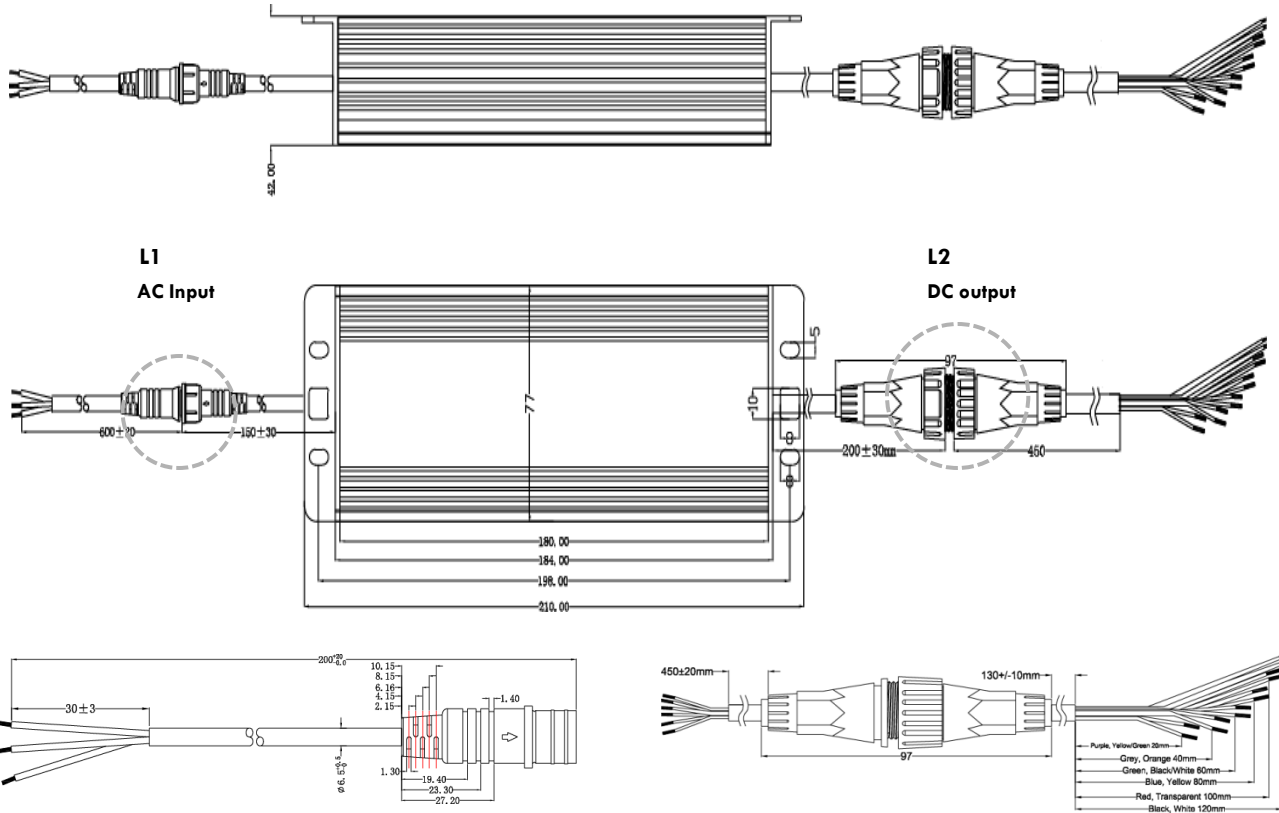


- Power the world with highest efficiency -

# 100W, MSL-100Y6

**Dimension: (L x W x H)**

- 210.0 x 77.0 x 42 (mm) / 8.3 x 3.0 x 1.7 (inch)
- tolerance: ± 0.5 mm



**Input wiring assembly**

- Brown (N), Blue (L), Green/Yellow (G) – 200±30mm

**Output wiring assembly**

- White(+), Black (-) / Red (+), Transparent (-)
- Blue (+), Yellow (-) / Green (+), Black/White (-)
- Grey (+), Orange (-) / Purple (+), Yellow/Green (-) – 680±30mm

1. Datasheets are updated as needed and as such, specifications are subject to change without notice.
2. Product labels shown, including safety agency certifications on labels, may vary based on the date manufactured.
3. Mechanical drawings (model No. MSL-T0350IC48.0-100Y6) is for reference only. The cable wire configuration may vary from other custom designed models as picture showing. Please contact your sales representative for detail.
4. Specifications are for reference only. All specifications are measured at an ambient temperature of 25°C, humidity < 75%, nominal input voltage and at rated output load unless otherwise specified.