



# 150W, EUV-150ST Series

CV1C150ST

- Power the world with highest efficiency



- **input voltage / PFC:** 90 ~ 305 Vac / 0.99 (typical)
- **Output Wattage:** 150W, Constant Voltage
- Fully encapsulated with waterproof **IP67** level compliant,
- **Reliability Protections:** OVP, OCP, SCP
- **High Efficiency:** up to 94%
- **Safety:** Comply with UL8750 & EN61347 regulations
- **MTBF: 300,000 hrs @ 25°C, full load, 110Vac input**
- **Lifetime: 70,000 hrs @ 110 Vac Input, full load, 25°C ambient Temp.**
- **Warranty: 5-year manufacturer**



Model No. (1)	Output Voltage Range (V)	Output Current (A)	OVP (V max.)	OCP Hicup (%Max)	Efficiency (%) (3)	Comment
EUV-150S012ST	11.4 - 12.6	12.5	16	180	92	
EUV-150S024ST	22.8 - 25.2	6.25	34	180	93	
EUV-150S036ST	34.2 - 37.8	4.17	48	180	93	
EUV-150S040ST	38.0 - 42.0	3.75	53	180	93	
EUV-150S042ST	39.9 - 44.1	3.57	55	180	94	
EUV-150S048ST	45.6 - 50.4	3.13	61	180	93	
EUV-150S050ST	47.5 - 52.5	3	63	180	93	
EUV-150S052ST	49.4 - 54.6	2.88	66	180	93	
EUV-150S054ST	51.3 - 56.7	2.78	69	180	93	
EUV-150S056ST	53.2 - 58.8	2.68	75	180	93	
EUV-150S081ST	76.9 - 85.0	1.85	100	180	94	
EUV-150S0105ST	99.7 - 110.2	1.42	135	180	94	

Note  
(1) A suffix - XXXX may be added to denote variations or modifications to the base unit  
(2) Output Rated Class 2 at USR & CNR. (3) All rating measured at full load and 220 V<sub>in</sub> Input.

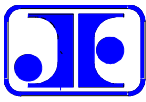
Input Specification					
Parameter	Conditions/ Description	Min.	Normal	Max.	units
Input Voltage Range	Universal Input	90	100 - 277	305	Vac
Input Frequency Range		47		63	Hz
Input Current	100 Vac / 220 Vac input, full load output			1.75/ 0.8	A
Power Factor	At 100 Vac / 220Vac Input	0.98/ 0.96			
Inrush Current	At 240Vac Input, 25°C cold start			65	A

Output Specification					
Parameter	Conditions/ Description	Min.	Normal	Max.	units
Line Regulation				±1	%
Load Regulation				±2	%
Ripple and Noise	20MHz Bandwidth, refer Note-1			2	%pk-pk (Vo)
Voltage Overshoot / Under shoot	% of V <sub>out</sub> when power turn on or of f			10	%
Turn-On Delay	Measured at 110Vac / 220Vac Input and Full Load			1.0/ 0.6	S

General Specification					
Parameter	Conditions/ Description	Min.	Normal	Max.	units
Efficiency	Refer to individual models, measured at Full load, 110/ 220 Vac @ 25°C	88		94	%
MTBF	Per MIL-HDBK-217F @ 25°C ambient temperature, full load, 110 Vac input		300,000		Hours
Operating/ Storage Temperature		-35/ -40		70/ 80	°C
Dimension (L x W x H)		225.0 x 67.5 x 39.5 / 8.9 x 2.7 x 1.6			mm/ inch
Weight		950			g

Safety & EMC Compliance			
Parameter	Standard	Category	Comment
SAFETY	USA & Canada: UL 8750 Compliance to UL 1012, UL 935 CAN/ CSA-22.2 No. 0. CSA-C22.2 No. 250.0	cUL	
	Europe: EN 61347-1, EN61347-2-13	CE	
	Conducted emission Test & Radiated emission Test with 6 dB margin	EN55015	
EMI	Harmonic Distortion, Current Emission	EN61000-3-2	
	Voltage Flicker and Fluctuation	EN61000-3-3	
	Electrostatic Discharge (ESD)	EN61000-4-2	
	Radiated RFI	EN61000-4-3	
	Fast Transients / Burst - EFT	EN61000-4-4	
	Input Line Surge Immunity	EN61000-4-5	
	Conducted RFI	EN61000-4-6	
	Power Freq Magnetic Field	EN61000-4-8	
	Voltage Dips	EN61000-4-11	
	Electromagnetic Immunity Requirements Applied to Lighting Equipment	EN61547	

Environmental Protection			
Parameter	Standard	Level	Comment
ROHS	European Directive 2002/ 95/ EC	Compliant	



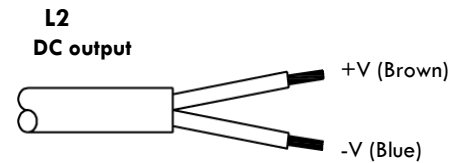
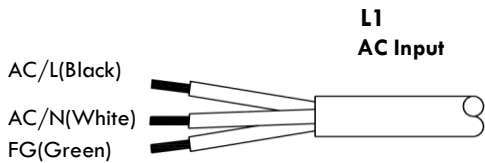
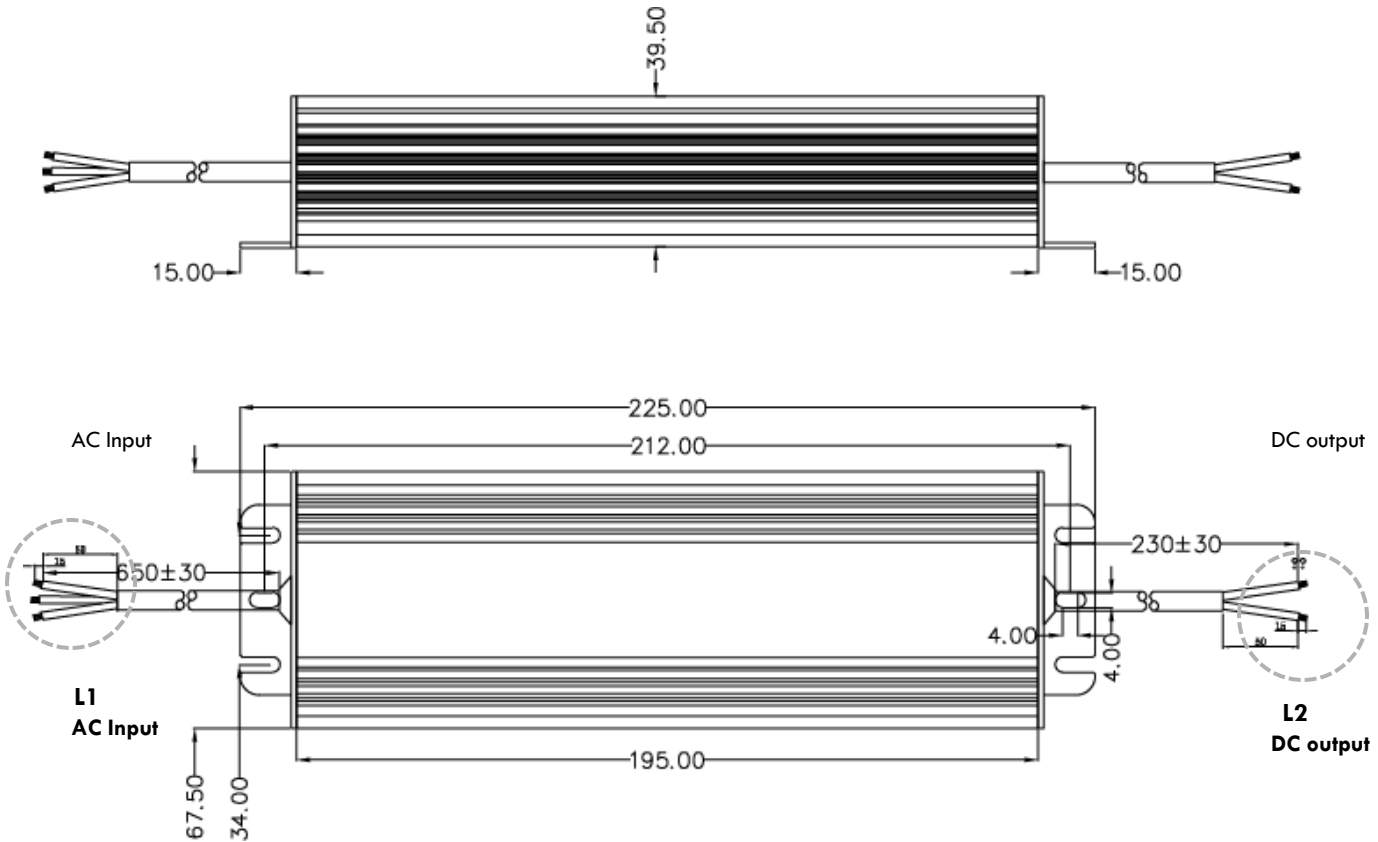
CV1C150ST

- Power the world with highest efficiency

# 150W, EUV-150ST Series

**Dimension: (L x W x H)**

• 225.0 x 67.5 x 39.5 (mm) / 8.9 x 2.7 x 1.6 (inch)



**Input wiring assembly – SJTW 18AWG 3C**

• White(N), Black (L), Green(G) – 650±30mm

**Output wiring assembly – SJTW 18AWG 2C**

• Brown(+), Blue(-) – 230±30mm

1. Datasheets are updated as needed and as such, specifications are subject to change without notice.
2. Product labels shown, including safety agency certifications on labels, may vary based on the date manufactured.
3. Mechanical drawings (model No. MSL-T2780IC54.0-150A) is for reference only. The cable wire configuration may vary from other custom designed models as picture showing. Please contact your sales representative for detail.
4. Specifications are for reference only. All specifications are measured at an ambient temperature of 25°C, humidity < 75%, nominal input voltage and at rated output load unless otherwise specified.