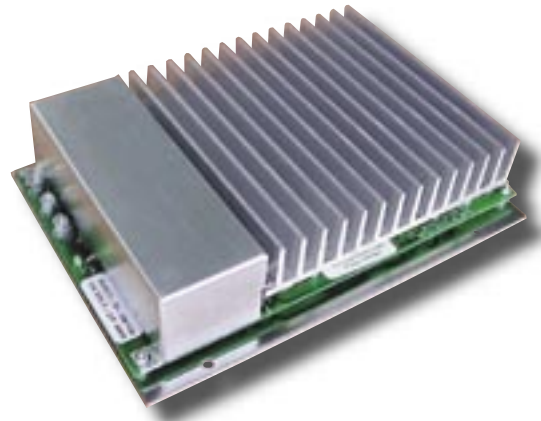




FEATURES

210 x 150 x 52 mm
 INPUT : 24, 48, 72, 110Vdc
 OUTPUT : Single output from 3V3 to 48V
 POWER : Up to 400W
 Efficiency : 84 % typ.
 DIN Rail mounting option (-D)
 Redundant N+1 option (-R)



APPLICATIONS

Modular power supply for industrial & railways

INPUT

Voltage range :	24Vnom	Range : 18-36Vdc	Max output power 150W
	48Vnom	Range : 36-75Vdc	Max output power 300W
	72Vnom	Range : 55-100Vdc	Max output power 400W
	110Vnom	Range : 66-160Vdc	Max output power 400W

Input protection : fuse
 transient and surges protected
 reverse polarity

OUTPUT

Vin \ Vout	3V3	5V	12V	15V	24V	28V	48V
24	150W	150W	150W	150W	150W	150W	150W
48	150W	200W	400W	400W	400W	400W	400W
72	150W	200W	400W	400W	400W	400W	400W
110	150W	200W	400W	400W	400W	400W	400W

OUTPUT

	OUTPUT		Conditions
	Typ.	Max.	
Line regulation	0,02 %	0,2 %	Low line to high line ; full load
Load regulation	0,5 %	1 %	No load to full load
Ripple and noise	0,5 %	1 %	Peak to peak, nom. Input ; full load
Current limit	105 to 135 % of I nominal		Vout = 95% of nominal ; Automatic restart
Short circuit current	115 % of Iout nominal	140 % of Iout nominal	

Trim range 50 % to 110 % (Factory adjustable)

SIGNALS

Input OK : Led in front panel

Output OK : Led in back panel

ENVIRONMENTAL

Storage temperature : -20°C to +100°C

Operating temperature : -20°C to +70°C

Convection cooled : -20°C to 80°C heatsink 300W max., vertical position at 30°C ambient

Air forced : minimum 1m/s for full power, 50°C ambient max.

ISOLATION

Input to chassis : 1500 Vrms or 2121 Vdc

Input to Output : 3000 Vrms or 4240 Vdc

Output to Chassis : > 100 Mohms at 500Vdc

GENERAL

Safety : built to meet EN60950

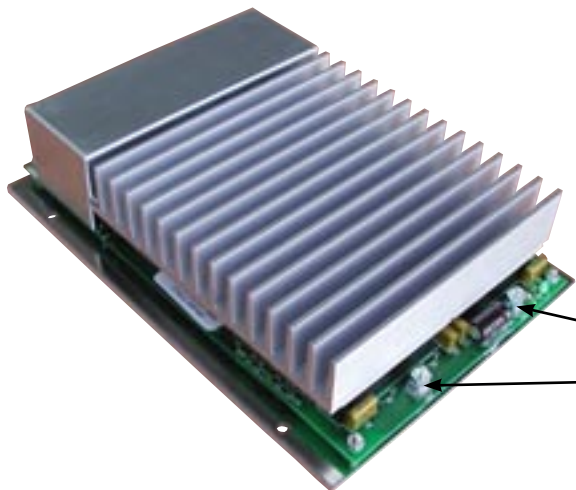
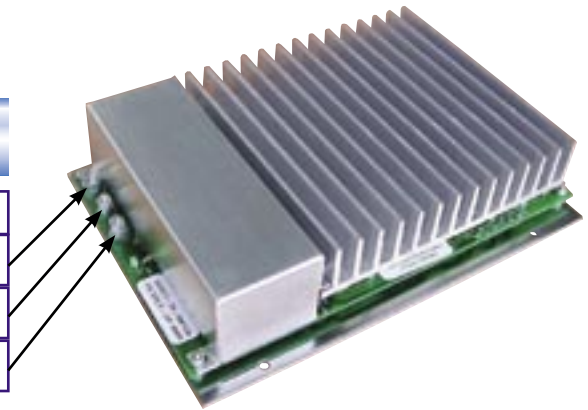
EMI : built to meet EN55022A, conducted.

ENV. : built to meet EN 50155

MECHANICALS

INPUT : M4 studs

PIN	DESCRIPTION
1	Earth
2	+ IN
3	- IN

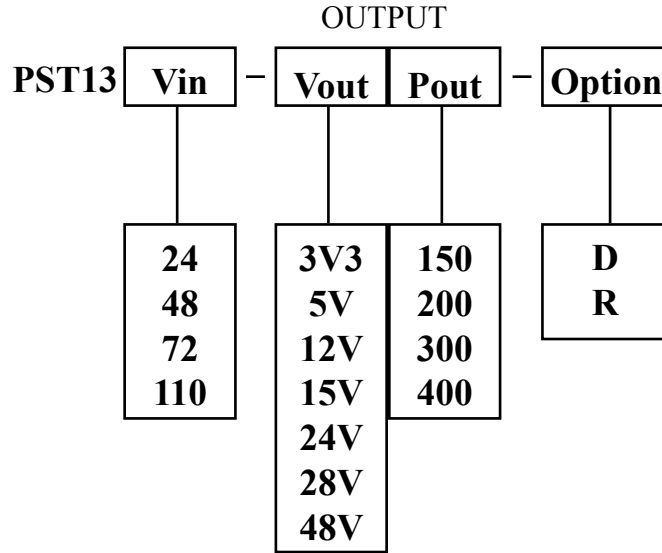


OUTPUT : M4 studs

PIN	DESCRIPTION
1	+ OUT
2	- OUT

HOW TO ORDER ?

Just fill in.
 Max. output current 20A
 Max input current 10A
 Pmax : 400W
 Please see page 1 for max output power configuration



COMPANY NAME :

ADDRESS :

NAME : JOB TITLE :

QUANTITY : DELIVERY DATE :

INFORMATION :

SEND TO :

POWER SYSTEM TECHNOLOGY
19, 21 rue Gustave Eiffel - Bâtiment A2
28630 GELLAINVILLE - FRANCE