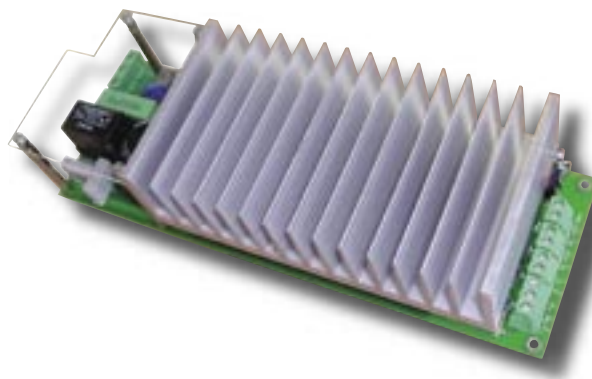




## FEATURES

234 x 80 x 60 mm  
 INPUT : 48, 72, 110, 150, 300 Vdc IN  
 OUTPUT : From 3V3 to 48V  
 POWER : up to 200W  
 Efficiency : 82 % typ.  
 Convection cooled  
 DIN rail mounting  
 Redundant operation



## APPLICATIONS

Industrial DIN RAIL mounting application

## INPUT

|                    |   |                    |                         |
|--------------------|---|--------------------|-------------------------|
| Voltage range :    | 48Vnom  | Range : 36-75Vdc   | I <sub>in</sub> 3A max. |
|                    | 72Vnom  | Range : 55-100Vdc  |                         |
|                    | 110Vnom   | Range : 66-160Vdc  |                         |
|                    | 200Vnom   | Range : 100-200Vdc |                         |
|                    | 300Vnom   | Range : 200-400Vdc |                         |
| Input protection : | fuse 3,15A<br>transient and surges protected<br>reversal polarity protected<br>inrush current |                    |                         |

## OUTPUT

Voltage : 3V3, 5V, 12V, 24V, 28V, 48V up to 200W  
 Trim range : 50% to 110% (factory adjustable)  
 Total remote sense compensation : 0,5V

|                              | OUTPUT                               |                                      | Conditions   |
|------------------------------|--------------------------------------|--------------------------------------|--|
|                              | Typ.                                 | Max.                                 |  |
| <b>Line regulation</b>       | 0,02 %                               | 0,2 %                                | Low line to high line ; full load                        |
| <b>Load regulation</b>       | 0,5 %                                | 1 %                                  | No load to full load                                     |
| <b>Ripple and noise</b>      | 0,5 %                                | 1 %                                  | Peak to peak, nom. Input ; full load                     |
| <b>Current limit</b>         | 105 to 135 %<br>of I nominal         |                                      | V <sub>out</sub> = 95% of nominal ;<br>Automatic restart |
| <b>Short circuit current</b> | 115 %<br>of I <sub>out</sub> nominal | 140 %<br>of I <sub>out</sub> nominal |  |

## SIGNALS

Power Good : Relay contact

## ENVIRONMENTAL

Storage temperature : -20°C to +100°C

Operating temperature : -20°C to +70°C  
-20°C to 55°C ambient, no derating, convection cooled.

## ISOLATION

Input to chassis : 1500 Vrms or 2121 Vdc

Input to Output : 3000 Vrms or 4240 Vdc

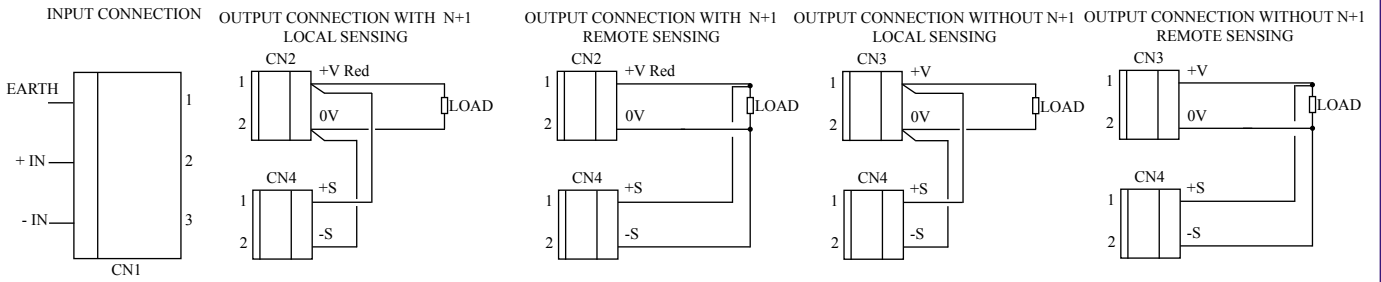
Output to Chassis : >100 Mohms at 500 Vdc

## GENERAL

**Safety :** built to meet EN60950

**EMI :** built to meet EN55022B

## MECHANICALS



### INPUT : Phoenix GMKDS 3/3-7,62

| PIN | DESCRIPTION |
|-----|-------------|
| 1   | Earth       |
| 2   | + IN        |
| 3   | - IN        |

### OUTPUT : PGood - Phoenix MKDS 3/3-5,08

| CN5 | DESCRIPTION         |
|-----|---------------------|
| 1   | Common              |
| 2   | Open if output OK   |
| 3   | Closed if output OK |

### OUTPUT : Sense compensation - Phoenix 3/2-5,08

| CN4 | DESCRIPTION |
|-----|-------------|
| 1   | - sense     |
| 2   | + sense     |

### INPUT : Phoenix 3/2-5,08

| CN3 | DESCRIPTION |
|-----|-------------|
| 1   | + V         |
| 2   | 0V          |

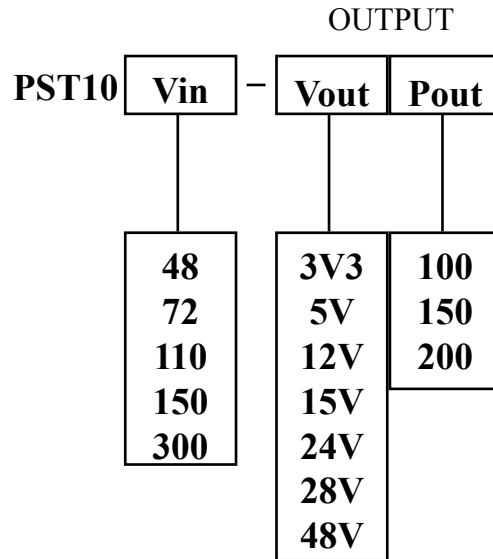
### INPUT : Phoenix 3/2-5,08

| CN2 | DESCRIPTION |
|-----|-------------|
| 1   | + V         |
| 2   | 0V          |



## HOW TO ORDER ?

Just fill in.  
Pmax : 200W



COMPANY NAME :

ADDRESS :

NAME :

JOB TITLE :

QUANTITY :

DELIVERY DATE :

INFORMATION :

SEND TO :

**POWER SYSTEM TECHNOLOGY**  
**19, 21 rue Gustave Eiffel - Bâtiment A2**  
**28630 GELLAINVILLE - FRANCE**