

**Features**

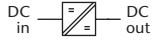
- DC input: 80 - 800 V
- AC input: 3-phase, 47 - 400 Hz
- DC output: 24 / ... / 400 V
- Continuous short circuit protection
- Overvoltage protection
- Thermal shutdown with auto restart
- Industrial grade components
- High efficiency through ZVS topology
- High power density
- Compact and robust design



front view



rear view



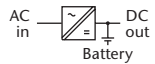
**DC / DC Converters**

▶ 7.5 KW			▶ 15 KW					
Input VDC							Output VDC	
80–160 VDC	Output Amps	160–320 VDC	320–380 <sup>1)</sup> VDC	320–640 VDC	450–800 VDC	Output Amps	Adj.	Range
CW 5554	288	CW 5574	CW 5584 Z	CW 5574 G	CW 5574 K	350	24	23– 26
CW 5555	250	CW 5575	CW 5585 Z	CW 5575 G	CW 5575 K	350	28	26– 30
CW 5559	136	CW 5579	CW 5589 Z	CW 5579 G	CW 5579 K	273	48	45– 55
CW 5556	110	CW 5576	CW 5586 Z	CW 5576 G	CW 5576 K	220	60	58– 68
CW 5557	58	CW 5577	CW 5587 Z	CW 5577 G	CW 5577 K	116	110	100– 130
CW 5557 J	38	CW 5577 J	CW 5587 ZJ	CW 5577 GJ	CW 5577 KJ	75	200	190– 200
CW 5558	30	CW 5578	CW 5588 Z	CW 5578 G	CW 5578 K	60	220	200– 250
CW 5558 J	19	CW 5578 J	CW 5588 ZJ	CW 5578 GJ	CW 5578 KJ	38	400	380– 400



**AC / DC Power Supplies**

▶ 15 KW					
Input VAC, 3-Phase			Output Amps	Output VDC	
3x200 <sup>+15%</sup> <sub>-20%</sub>	3x400 <sup>+15%</sup> <sub>-20%</sub>	3x480 <sup>+10%</sup> <sub>-15%</sub>		Adj.	Range
CW 5564 V	CW 5584 V	CW 5594 V	350	24	23– 26
CW 5565 V	CW 5585 V	CW 5595 V	350	28	26– 30
CW 5569 V	CW 5589 V	CW 5599 V	273	48	45– 55
CW 5566 V	CW 5586 V	CW 5596 V	220	60	58– 68
CW 5567 V	CW 5587 V	CW 5597 V	116	110	100– 130
CW 5567 VJ	CW 5587 VJ	CW 5597 VJ	75	200	190– 200
CW 5568 V	CW 5588 V	CW 5598 V	60	220	200– 250
CW 5568 VJ	CW 5588 VJ	CW 5598 VJ	38	400	380– 400



**Battery Chargers**

▶ 15 KW					
Input VAC, 3-Phase			Output Amps	Output VDC	
3x200 <sup>+15%</sup> <sub>-20%</sub>	3x400 <sup>+15%</sup> <sub>-20%</sub>	3x480 <sup>+10%</sup> <sub>-15%</sub>		Nom. Battery Voltage	Range
BW 5562 V	BW 5582 V	BW 5592 V	328	24	24– 32
BW 5564 V	BW 5584 V	BW 5594 V	234	48	48– 64
BW 5566 V	BW 5586 V	BW 5596 V	188	60	60– 80
BW 5567 V	BW 5587 V	BW 5597 V	104	110	110– 145
BW 5568 V	BW 5588 V	BW 5598 V	52	220	220– 290

中国区总代理：上海佳舍珀电子科技有限公司

电话：021-50349737 | 手机：13764303579 | 电子邮件：roman.xiao@fitpower.cn | www.fitpower.cn

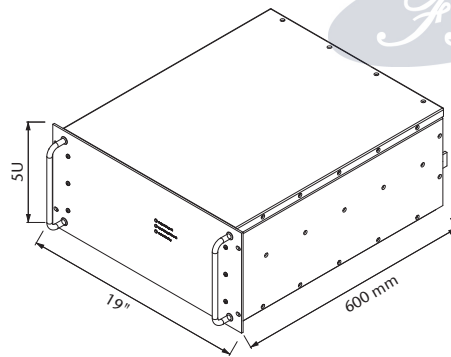
**Assistance in table use:**

- 1 Select the column for input voltage range.
- 2 Select the row for the appropriate output voltage.
- 3 The intersection of both results in the module required.

**For example:**

- 1 input voltage = 3 x 400 VAC
- 2 output voltage = 220 VDC @ 60 A
- 3 results in a CW 5588 V module.

<sup>1)</sup> input supply from PFC also suitable



19" Plug-in module / approx. 58 kg

## Specifications

### Input

Voltage range	narrowing of input voltage range optimizes the efficiency (pls. specify), unit switches off at under- and overvoltage
No-load input power	30 W typical
Switch-on time	< 1 s typical
Hold-up time	AC input: 5 ms typical

### Immunity

- ESD	acc. to DIN / EN 61000-4-2 level 3
- Fast transients	acc. to DIN / EN 61000-4-4 level 3
- Surges	acc. to DIN / EN 61000-4-5 level 3

### Output

Line regulation ( $\pm 10\%$ )	0.1 %
Load regulation (10-90 %)	0.2 %
Load transient (10-90-10 %)	6 % typical
Response time to $\pm 1\%$	10 ms typical
Turn-on rise time	Soft-start, 300 ms typical
Ripple	$\leq 1\%$
Overload protection	current limited to 105 - 110 % of $I_{nom}$
Overvoltage protection	OVP switches off module with automatic return to operation, after 5 seconds, the unit will remain latched off
Remote sense	standard for CW series up to 150 V output, up to 10 % of $U_{nom}$ for output < 60 VDC, up to 6 V for output > 60 VDC

### General

Efficiency	80 - 95 %
Operating temperature	-20 to +75 °C
Load derating	2.5 % / °C from +55 °C
Storage temperature	-40 to +85 °C
Humidity	up to 95 % RH, non-condensing
Cooling	with water
Temperature coefficient	0.02 % / °C typical
Safety / Construction	acc. to DIN / EN 60950-1: 2003
Protection category	IP 20, others or NEMA upon request
EMI	acc. to EN 55022, class A, optionally class B
MTBF	approx. 70,000 h @ 40 °C acc. to MIL - HDBK - 217 E (notice 1)
Connector	terminals / bolts / bars
Marking	CE

## Options (details see page 90 – 92)

### Input

- Inrush current limiting
- Reverse polarity protection for DC input

### Output

- Parallel operation
- Redundant operation
- Inhibit (remote on / off)
- Reducing of current limiting at high ambient temperature

### Signals

via open collector or relay contacts

- Power ok (input)
- DC ok (output)
- Sys-reset

### Programming

- Output voltage or current via
  - potentiometer
  - analog signal
  - interface RS232 or IEEE488

### Battery charger

- Temperature compensated charging voltage
- Automatic / manual selection of charging characteristic

### Monitoring

- Input / output voltage or current via
  - analog signal
  - interface RS232 or IEEE488

### Mechanics / environment:

- Digital V- and A-meter (see photo)
- Increased mechanical strength
- Tropical protection
- Extended temperature range to -40 °C