

**Features**

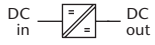
- DC input: 80 - 800 V
- AC input: 3-phase, 47 - 400 Hz
- DC output: 12 / ... / 400 V
- Continuous short circuit protection
- Overvoltage protection
- Thermal shutdown with auto restart
- Industrial grade components
- High efficiency through ZVS topology
- Compact and robust design



front view



rear view



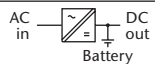
**DC / DC Converters**

▶ 5.6 kW			▶ 8 kW					
Input VDC						Output VDC		
80–160 VDC	Output Amps	160–320 VDC	320–380 <sup>1)</sup> VDC	320–640 VDC	450–800 VDC	Output Amps	Adj.	Range
CW 5353	350	CW 5373	CW 5383 Z	CW 5373 G	CW 5373 K	350	15	14– 16
CW 5354	216	CW 5374	CW 5384 Z	CW 5374 G	CW 5374 K	310	24	23– 26
CW 5355	187	CW 5375	CW 5385 Z	CW 5375 G	CW 5375 K	270	28	26– 30
CW 5359	102	CW 5379	CW 5389 Z	CW 5379 G	CW 5379 K	146	48	45– 55
CW 5356	83	CW 5376	CW 5386 Z	CW 5376 G	CW 5376 K	118	60	58– 68
CW 5357	43	CW 5377	CW 5387 Z	CW 5377 G	CW 5377 K	62	110	100– 130
CW 5357 J	28	CW 5377 J	CW 5387 ZJ	CW 5377 GJ	CW 5377 KJ	40	200	190– 200
CW 5358	22.5	CW 5378	CW 5388 Z	CW 5378 G	CW 5378 K	32	220	200– 250
CW 5358 J	14	CW 5378 J	CW 5388 ZJ	CW 5378 GJ	CW 5378 KJ	20	400	380– 400



**AC / DC Power Supplies**

▶ 8 kW					
Input VAC, 3-Phase			Output Amps	Output VDC	
3x200 <sup>+15%</sup> <sub>-20%</sub>	3x400 <sup>+15%</sup> <sub>-20%</sub>	3x480 <sup>+10%</sup> <sub>-15%</sub>		Adj.	Range
CW 5363 V	CW 5383 V	CW 5393 V	350	15	14– 16
CW 5364 V	CW 5384 V	CW 5394 V	310	24	23– 26
CW 5365 V	CW 5385 V	CW 5395 V	270	28	26– 30
CW 5369 V	CW 5389 V	CW 5399 V	146	48	45– 55
CW 5366 V	CW 5386 V	CW 5396 V	118	60	58– 68
CW 5367 V	CW 5387 V	CW 5397 V	62	110	100– 130
CW 5367 VJ	CW 5387 VJ	CW 5397 VJ	40	200	190– 200
CW 5368 V	CW 5388 V	CW 5398 V	32	220	200– 250
CW 5368 VJ	CW 5388 VJ	CW 5398 VJ	20	400	380– 400



**Battery Chargers**

▶ 8 kW					
Input VAC, 3-Phase			Output Amps	Output VDC	
3x200 <sup>+15%</sup> <sub>-20%</sub>	3x400 <sup>+15%</sup> <sub>-20%</sub>	3x480 <sup>+10%</sup> <sub>-15%</sub>		Nom. Battery Voltage	Range
BW 5361 V	BW 5381 V	BW 5391 V	350	12	12– 16
BW 5362 V	BW 5382 V	BW 5392 V	250	24	24– 32
BW 5364 V	BW 5384 V	BW 5394 V	125	48	48– 64
BW 5366 V	BW 5386 V	BW 5396 V	100	60	60– 80
BW 5367 V	BW 5387 V	BW 5397 V	56	110	110– 145
BW 5368 V	BW 5388 V	BW 5398 V	28	220	220– 290

中国区总代理：上海佳舍珀电子科技有限公司

电话：021-50349737 | 手机：13764303579 | 电子邮件：roman.xiao@fitpower.cn | www.fitpower.cn

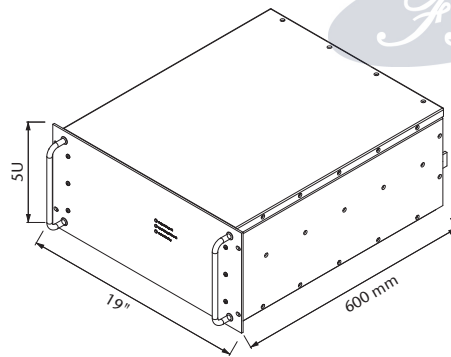
**Assistance in table use:**

- 1 Select the column for input voltage range.
- 2 Select the row for the appropriate output voltage.
- 3 The intersection of both results in the module required.

**For example:**

- 1 input voltage = 3 x 400 VAC
- 2 output voltage = 220 VDC @ 32 A
- 3 results in a CW 5388 V module.

<sup>1)</sup> input supply from PFC also suitable



19" Plug-in module / approx. 47 kg

## Specifications

### Input

Voltage range	narrowing of input voltage range optimizes the efficiency (pls. specify), unit switches off at under- and overvoltage
No-load input power	30 W typical
Switch-on time	< 1 s typical
Inrush current	AC input: limited by thermistor
Hold-up time	AC input: 5 ms typical

### Immunity

- ESD	acc. to DIN / EN 61000-4-2 level 3
- Fast transients	acc. to DIN / EN 61000-4-4 level 3
- Surges	acc. to DIN / EN 61000-4-5 level 3

### Output

Line regulation ( $\pm 10\%$ )	0.1 %
Load regulation (10-90 %)	0.2 %
Load transient (10-90-10 %)	6 % typical
Response time to $\pm 1\%$	10 ms typical
Turn-on rise time	Soft-start, 300 ms typical
Ripple	$\leq 1\%$
Overload protection	current limited to 105 - 110 % of $I_{nom}$
Overvoltage protection	OVP switches off module with automatic return to operation, after 5 seconds, the unit will remain latched off
Remote sense	standard for CW series up to 150 V output, up to 10 % of $U_{nom}$ for output < 60 VDC, up to 6 V for output > 60 VDC

### General

Efficiency	80 - 95 %
Operating temperature	-20 to +75 °C
Load derating	2.5 % / °C from +55 °C
Storage temperature	-40 to +85 °C
Humidity	up to 95 % RH, non-condensing
Cooling	with water
Temperature coefficient	0.02 % / °C typical
Safety / Construction	acc. to DIN / EN 60950-1: 2003
Protection category	IP 20, others or NEMA upon request
EMI	acc. to EN 55022, class A, optionally class B
MTBF	approx. 70,000 h @ 40 °C acc. to MIL - HDBK - 217 E (notice 1)
Connector	terminals / bolts / bars
Marking	CE

## Options (details see page 90 – 92)

### Input

- Inrush current limiting
- Reverse polarity protection for DC input

### Output

- Parallel operation
- Redundant operation
- Inhibit (remote on / off)
- Reducing of current limiting at high ambient temperature

### Signals

via open collector or relay contacts

- Power ok (input)
- DC ok (output)
- Sys-reset

### Programming

- Output voltage or current via
  - potentiometer
  - analog signal
  - interface RS232 or IEEE488

### Battery charger

- Temperature compensated charging voltage
- Automatic / manual selection of charging characteristic

### Monitoring

- Input / output voltage or current via
  - analog signal
  - interface RS232 or IEEE488

### Mechanics / environment:

- Digital V- and A-meter (see photo)
- Increased mechanical strength
- Tropical protection
- Extended temperature range to -40 °C