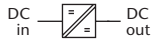




**Features**

- DC input: 18 - 640 V
- AC input: 1 or 3-phase, 47 - 400 Hz or with PFC, 47 - 65 Hz
- DC output: 5 / ... / 400 V
- Continuous short circuit protection
- Overvoltage protection with auto restart
- Thermal shutdown with auto restart
- Industrial grade components
- Compact and robust design



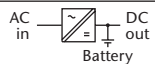
**DC / DC Converters**

▶ 1000 W				▶ 1250 W						
Input VDC								Output VDC		
18–36 VDC	Output Amps	36–75 VDC	45–90 VDC	80–160 VDC	160–320 VDC	320–380 <sup>1)</sup> VDC	320–640 <sup>3)</sup> VDC	Output Amps	Adj.	Range
C 3720	120 <sup>2)</sup>	C 3730	C 3740	C 3750	C 3770	C 3780 Z	C 3770 G	150 <sup>2)</sup>	5	4.5– 5.5
C 3721	80	C 3731	C 3741	C 3751	C 3771	C 3781 Z	C 3771 G	100	9	8– 10
C 3722	70	C 3732	C 3742	C 3752	C 3772	C 3782 Z	C 3772 G	85	12	11– 13
C 3723	56	C 3733	C 3743	C 3753	C 3773	C 3783 Z	C 3773 G	70	15	14– 16
C 3724	40	C 3734	C 3744	C 3754	C 3774	C 3784 Z	C 3774 G	50	24	23– 26
C 3725	35	C 3735	C 3745	C 3755	C 3775	C 3785 Z	C 3775 G	42	28	26– 30
C 3729	19	C 3739	C 3749	C 3759	C 3779	C 3789 Z	C 3779 G	23	48	45– 55
C 3726	15	C 3736	C 3746	C 3756	C 3776	C 3786 Z	C 3776 G	18	60	58– 68
C 3727	8	C 3737	C 3747	C 3757	C 3777	C 3787 Z	C 3777 G	10	110	100– 130
C 3727 J	5	C 3737 J	C 3747 J	C 3757 J	C 3777 J	C 3787 ZJ	C 3777 GJ	6	200	190–200
C 3728	4	C 3738	C 3748	C 3758	C 3778	C 3788 Z	C 3778 G	5	220	200–250
C 3728 J	2.5	C 3738 J	C 3748 J	C 3758 J	C 3778 J	C 3788 ZJ	C 3778 GJ	3	400	380–400



**AC / DC Power Supplies**

▶ 1000 W				▶ 1250 W						
Input VAC, 1-Phase				Input VAC, 3-Phase			Output Amps	Output VDC		
100–240 ±10% with PFC	Output Amps	115 ±20%	230 <sup>+15%</sup> <sub>-20%</sub>	115 ±20% / 230 <sup>+15%</sup> <sub>-20%</sub>	3x200 <sup>+15%</sup> <sub>-20%</sub>	3x400 <sup>+15%</sup> <sub>-20%</sub>		3x480 <sup>+10%</sup> <sub>-15%</sub>	Adj.	Range
CP 3790	150 <sup>2)</sup>	C 3760	C 3780	C 3790	C 3760 V	C 3780 V	C 3790 V	150 <sup>2)</sup>	5	4.5– 5.5
CP 3791	100	C 3761	C 3781	C 3791	C 3761 V	C 3781 V	C 3791 V	100	9	8– 10
CP 3792	80	C 3762	C 3782	C 3792	C 3762 V	C 3782 V	C 3792 V	85	12	11– 13
CP 3793	65	C 3763	C 3783	C 3793	C 3763 V	C 3783 V	C 3793 V	70	15	14– 16
CP 3794	40	C 3764	C 3784	C 3794	C 3764 V	C 3784 V	C 3794 V	50	24	23– 26
CP 3795	35	C 3765	C 3785	C 3795	C 3765 V	C 3785 V	C 3795 V	42	28	26– 30
CP 3799	20	C 3769	C 3789	C 3799	C 3769 V	C 3789 V	C 3799 V	23	48	45– 55
CP 3796	15	C 3766	C 3786	C 3796	C 3766 V	C 3786 V	C 3796 V	18	60	58– 68
CP 3797	9	C 3767	C 3787	C 3797	C 3767 V	C 3787 V	C 3797 V	10	110	100– 130
CP 3797 J	5	C 3767 J	C 3787 J	C 3797 J	C 3767 VJ	C 3787 VJ	C 3797 VJ	6	200	190–200
CP 3798	4	C 3768	C 3788	C 3798	C 3768 V	C 3788 V	C 3798 V	5	220	200–250
CP 3798 J	2.5	C 3768 J	C 3788 J	C 3798 J	C 3768 VJ	C 3788 VJ	C 3798 VJ	3	400	380–400



**Battery Chargers**

▶ 1000 W				▶ 1250 W						
Input VAC, 1-Phase				Input VAC, 3-Phase			Output Amps	Output VDC		
100–240 ±10% with PFC	Output Amps	115 ±20%	230 <sup>+15%</sup> <sub>-20%</sub>	115 ±20% / 230 <sup>+15%</sup> <sub>-20%</sub>	3x200 <sup>+15%</sup> <sub>-20%</sub>	3x400 <sup>+15%</sup> <sub>-20%</sub>		3x480 <sup>+10%</sup> <sub>-15%</sub>	Nom. Battery Voltage	Range
BP 3791	65	B 3761	B 3781	B 3791	B 3761 V	B 3781 V	B 3791 V	75	12	12– 16
BP 3792	32	B 3762	B 3782	B 3792	B 3762 V	B 3782 V	B 3792 V	40	24	24– 32
BP 3794	16	B 3764	B 3784	B 3794	B 3764 V	B 3784 V	B 3794 V	22	48	48– 64
BP 3796	12	B 3766	B 3786	B 3796	B 3766 V	B 3786 V	B 3796 V	18	60	60– 80
BP 3797	8	B 3767	B 3787	B 3797	B 3767 V	B 3787 V	B 3797 V	10	110	110– 145
BP 3798	4	B 3768	B 3788	B 3798	B 3768 V	B 3788 V	B 3798 V	5	220	220– 290

中国区总代理：上海佳舍珀电子科技有限公司      电话：021-50349737 | 手机：13764303579 | 电子邮件：roman.xiao@fitpower.cn | www.fitpower.cn

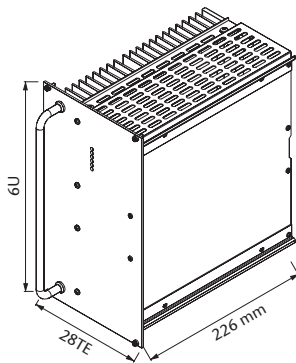
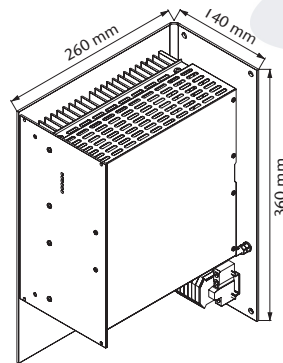
**Assistance in table use:**

- 1 Select the column for input voltage range.
- 2 Select the row for the appropriate output voltage.
- 3 The intersection of both results in the module required.

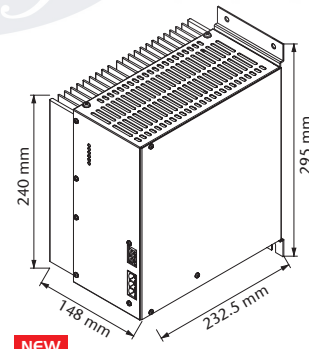
**For example:**

- 1 input voltage = 3 x 400 VAC
- 2 output voltage = 24 VDC @ 50 A
- 3 results in a C 3784 V module.

- <sup>1)</sup> input supply from PFC also suitable
- <sup>2)</sup> external fan recommended
- <sup>3)</sup> suited for wall-mount, alternatives upon request

Eurocassette / approx. 6.5 kg  
(pluggable module for 19" sub-rack)

Wall mount / approx. 9.5 kg

NEW  
Chassis mount / approx. 7.5 kg

## Specifications

### Input

Voltage range	see table, unit switches off at under- and overvoltage
No-load input power	5 - 6 W
Switch-on time	1 - 2 s
Inrush current	AC input: limited by thermistor
Hold-up time	AC input: 10 ms typical
Power factor correction	for CP and BP series, acc. to EN 61000-3-2 class D

### Immunity

- ESD	acc. to DIN / EN 61000-4-2 level 3
- Fast transients	acc. to DIN / EN 61000-4-4 level 3
- Surges	acc. to DIN / EN 61000-4-5 level 3

### Output

Line regulation ( $\pm 10\%$ )	0.1 %
Load regulation (10 - 90 %)	0.2 %
Load transient (10-90-10 %)	6 % typical
Response time to $\pm 1\%$	2 - 3 ms
Turn-on rise time	Soft-start, 100 ms typical
Ripple	$\leq 1\% + 30 \text{ mV}_{\text{p-p}}$
Overload protection	current limited to 105 - 110 % of $I_{\text{nom}}$
Overvoltage protection	OVP switches off module with automatic return to operation
Remote sense	standard for C series, up to 10 % of $U_{\text{nom}}$ for output < 60 VDC, up to 6 V for output > 60 VDC

### General

Efficiency	70 - 95 %
Operating temperature	-20 to +75 °C
Load derating	2.5 % / °C from +55 °C
Storage temperature	-40 to +85 °C
Humidity	up to 95 % RH, non-condensing
Cooling	natural convection
Temperature coefficient	0.02 % / °C typical
Safety / Construction	acc. to DIN / EN 60950-1: 2003
Protection category	IP 20, others or NEMA upon request
EMI	acc. to EN 55022, class A, optionally class B
MTBF	approx. 100,000 h @ 40 °C acc. to MIL - HDBK - 217 E (notice 1)
Connector for eurocassette - std. design	H15 and high current connector for $I > 50 \text{ A}$ (details see page 103)

### Marking

中国区总代理: 上海佳舍珀电子科技有限公司

电话: 021-50349737 | 手机: 13764303579

电子邮件: [roman.xiao@fitpower.cn](mailto:roman.xiao@fitpower.cn) | [www.fitpower.cn](http://www.fitpower.cn)

## Options (details see page 90 – 92)

### Input

- Inrush current limiting for DC input
- Reverse polarity protection for DC input
- Autoranging for 115 / 230 VAC input

### Output

- Parallel operation
- Redundant operation
- Inhibit (remote on / off)

### Signals

via open collector or relay contacts

- Power ok (input)
- DC ok (output)
- Sys-reset

### Programming

- Output voltage or current via
  - potentiometer
  - analog signal
  - interface card RS232 or IEEE488 (external)

### Battery charger

- Temperature compensated charging voltage
- Automatic / manual selection of charging characteristic

### Monitoring

- Input / output voltage or current via
  - analog signal
  - interface card RS232 or IEEE488 (external)

### Mechanics / environment:

- 19" sub-rack for eurocassette, refer to page 93
- Wall mount
- Increased mechanical strength
- Tropical protection
- Extended temperature range to -40 °C