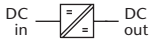




Features

- DC input: 18 - 380 V
- AC input: 1 or 3-phase, 47 - 400 Hz
- DC output: 5 / ... / 250 V
- Continuous short circuit protection
- Overvoltage protection with auto restart
- Industrial grade components
- Compact and robust design



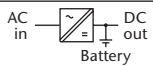
DC / DC Converters

▶ 300 W				▶ 400 W					
Input VDC								Output VDC	
18-36 VDC	Output Amps	36-75 VDC	45-90 VDC	80-160 VDC	160-320 VDC	320-380 ¹⁾ VDC	Output Amps	Adj.	Range
C 2520	45	C 2530	C 2540	C 2550	C 2570	C 2580 Z	55	5	4.5 - 5.5
C 2521	27	C 2531	C 2541	C 2551	C 2571	C 2581 Z	32	9	8 - 10
C 2522	23	C 2532	C 2542	C 2552	C 2572	C 2582 Z	27	12	11 - 13
C 2523	20	C 2533	C 2543	C 2553	C 2573	C 2583 Z	23	15	14 - 16
C 2524	13	C 2534	C 2544	C 2554	C 2574	C 2584 Z	15	24	23 - 26
C 2525	11	C 2535	C 2545	C 2555	C 2575	C 2585 Z	13	28	26 - 30
C 2529	6	C 2539	C 2549	C 2559	C 2579	C 2589 Z	7.2	48	45 - 55
C 2526	5	C 2536	C 2546	C 2556	C 2576	C 2586 Z	6	60	58 - 68
C 2527	2.5	C 2537	C 2547	C 2557	C 2577	C 2587 Z	3	110	100 - 130
C 2528	1.3	C 2538	C 2548	C 2558	C 2578	C 2588 Z	1.6	220	200 - 250



AC / DC Power Supplies

▶ 400 W							
Input VAC, 1-Phase				Input VAC, 3-Phase	Output Amps	Output VDC	
115 ±20%	230 ^{+15%} _{-20%}	115 ±20% / 230 ^{+15%} _{-20%}	3x200 ^{+15%} _{-20%}	Adj.		Range	
C 2560	C 2580	C 2590	C 2560 V	55	5	4.5 - 5.5	
C 2561	C 2581	C 2591	C 2561 V	32	9	8 - 10	
C 2562	C 2582	C 2592	C 2562 V	27	12	11 - 13	
C 2563	C 2583	C 2593	C 2563 V	23	15	14 - 16	
C 2564	C 2584	C 2594	C 2564 V	15	24	23 - 26	
C 2565	C 2585	C 2595	C 2565 V	13	28	26 - 30	
C 2569	C 2589	C 2599	C 2569 V	7.2	48	45 - 55	
C 2566	C 2586	C 2596	C 2566 V	6	60	58 - 68	
C 2567	C 2587	C 2597	C 2567 V	3	110	100 - 130	
C 2568	C 2588	C 2598	C 2568 V	1.6	220	200 - 250	



Battery Chargers

▶ 400 W							
Input VAC, 1-Phase				Input VAC, 3-Phase	Output Amps	Output VDC	
115 ±20%	230 ^{+15%} _{-20%}	115 ±20% / 230 ^{+15%} _{-20%}	3x200 ^{+15%} _{-20%}	Nom. Battery Voltage		Range	
B 2561	B 2581	B 2591	B 2561 V	23	12	12 - 16	
B 2562	B 2582	B 2592	B 2562 V	13	24	24 - 32	
B 2564	B 2584	B 2594	B 2564 V	6.2	48	48 - 64	
B 2566	B 2586	B 2596	B 2566 V	5.1	60	60 - 80	
B 2567	B 2587	B 2597	B 2567 V	2.8	110	110 - 145	
B 2568	B 2588	B 2598	B 2568 V	1.4	220	220 - 290	

中国区总代理：上海佳舍珀电子科技有限公司

电话：021-50349737 | 手机：13764303579 | 电子邮件：roman.xiao@fitpower.cn | www.fitpower.cn

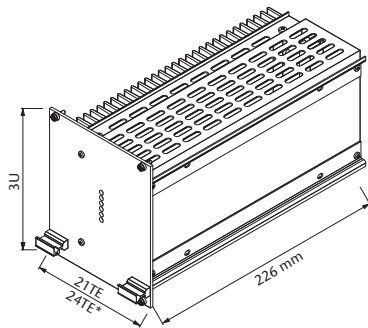
Assistance in table use:

- 1 Select the column for input voltage range.
- 2 Select the row for the appropriate output voltage.
- 3 The intersection of both results in the module required.

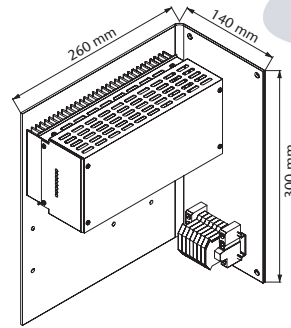
For example:

- 1 input voltage = 110 VDC
- 2 output voltage = 220 VDC @ 1.6 A
- 3 results in a C 2558 module.

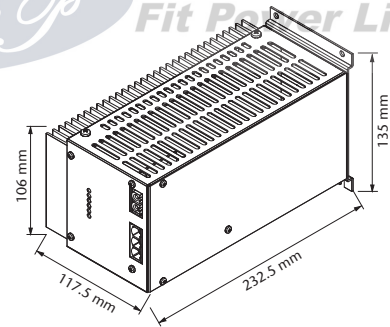
¹⁾ input supply from PFC also suitable



Eurocassette / approx. 2.5 kg
(pluggable module for 19" sub-rack)
*) applicable to 5 V output models



Wall mount / approx. 5.0 kg



NEW
Chassis mount / approx. 3.0 kg

Specifications

Input

Voltage range see table, unit switches off at under- and overvoltage
No-load input power. 5 - 6 W
Switch-on time 500 ms typical
Inrush current AC input: limited by thermistor
Hold-up time AC input: 10 ms typical

Immunity

- ESD acc. to DIN / EN 61000-4-2 level 3
- Fast transients acc. to DIN / EN 61000-4-4 level 3
- Surges acc. to DIN / EN 61000-4-5 level 3

Output

Line regulation ($\pm 10\%$) 0.1 %
Load regulation (10 - 90 %) 0.2 %
Load transient (10-90-10 %) 6 % typical
Response time to $\pm 1\%$ 2 - 3 ms
Turn-on rise time Soft-start, 100 ms typical
Ripple $\leq 1\% + 30\text{ mV}_{\text{p-p}}$
Overload protection current limited to 105 - 110 % of I_{nom}
Overvoltage protection OVP switches off module with automatic return to operation
Remote sense standard for C series, up to 10 % of U_{nom} for output < 60 VDC, up to 6 V for output > 60 VDC

General

Efficiency 70 - 92 %
Operating temperature -20 to $+75\text{ }^\circ\text{C}$
Load derating 2.5 % / $^\circ\text{C}$ from $+55\text{ }^\circ\text{C}$
Storage temperature -40 to $+85\text{ }^\circ\text{C}$
Humidity up to 95 % RH, non-condensing
Cooling natural convection
Temperature coefficient 0.02 % / $^\circ\text{C}$ typical
Safety / Construction acc. to DIN / EN 60950-1: 2003
Protection category IP 20, others or NEMA upon request
EMI acc. to EN 55022, class A, optionally class B
MTBF approx. 120,000 h @ $40\text{ }^\circ\text{C}$
acc. to MIL - HDBK - 217 E (notice 1)
Connector for eurocassette - std. design H 15 (details see page 103)
Marking CE

Options (details see page 90 – 92)

Input

- Inrush current limiting for DC input
- Reverse polarity protection for DC input
- Autoranging for 115 / 230 VAC input

Output

- Parallel operation
- Redundant operation
- Inhibit (remote on / off)

Signals

via open collector or relay contacts

- Power ok (input)
- DC ok (output)

Programming

- Output voltage or current via
 - external potentiometer
 - analog signal
 - interface card RS232 or IEEE488 (external)

Battery charger

- Temperature compensated charging voltage
- Automatic / manual selection of charging characteristic (external)

Monitoring

- Input / output voltage or current via
 - analog signal
 - interface card RS232 or IEEE488 (external)

Mechanics / environment:

- 19" sub-rack for eurocassette, refer to page 93
- Wall mount
- Chassis mount
- Increased mechanical strength
- Tropical protection
- Extended temperature range to $-40\text{ }^\circ\text{C}$