

P-9518

120Watt, Military, Six Output DC/DC Converter



Main Features:

- Miniature size - wide input range
- Input - output isolation
- For Airborne & Missile applications
- Meets MIL-STD-704D & MIL-STD-1275 (AT)
- High efficiency (typically 79%) - base plate cooling
- Fully protected for over-load short circuit, over-voltage & over-temperature
- Six isolated outputs: 5V Analog, 5V Digital, $\pm 15V$, 3.3V
- Outputs can be modified upon customer request
- Analog & digital separate 5V outputs
- External Sync. signal (180 - 220 kHz)
- EMI filter included

Typical Applications:

- Electronic Warfare (EW) Systems
- Radar Warning Receivers (RWR)
- Missiles
- Navigation Systems

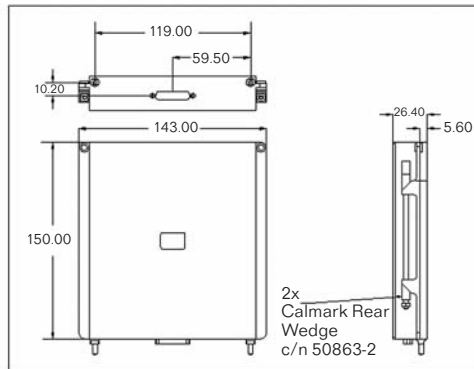
Ordering Information:

Model #	Voltage	Current	Power	R&N
900-9518-0000	3.3V	10A	33W	50mV
	5V Digital	3A	15W	50mV
	5V Analog	8A	15W	50mV
	+15V	2.5A	30W	50mV
	-15V	1.A	15W	50mV
	+12V	1.5A	18W	50mV

Product Specifications:

Input	Input voltage range 18-36VDC Input Per Mil-Std-704D Protected for input transients - up to 50V for 100mSec Input injected ripple - up to 4V RMS
Output	Output voltage / current - see table "Ordering Information" Line load & temperature regulation +/-1% Current limit on short circuit protection on each output - 110-130% of rated current Over-voltage on each output - latched shut down at 110% typical Isolation - Input/Output & Input/Case - >500VDC
Controls	ON/OFF signal - TTL BIT signal - output in range
Environment	Operating temperature -40°C - +71°C Base plate Storage temperature -55°C - +95°C Vibration per Mil-Std-810D Shock per Mil-Std-810D EMI-RFI per Mil-Std-461D Filter included inside CE-101, CE-102, CS-101, CS-114, CS-115, CS-116, RE-101 RE-102, RS-101, RS-103 MTBF 50,000 hours typical at 85°C base plate for AUF Per Mil-Hdbk-217F notice-2
Mechanical	Size - 150mm x 143mm x 26.4mm Weight - 700 gram Cooling - Base plate Input / Output connector - 51 Pin MALCO PIN MCK-C2-B-51SRT1

Outline Drawing



Connector Pin-Out:

Pin #	Function	Pin #	Function
1, 2, 3, 20, 21, 36	Digital GND	12, 29, 40	5V Digital
39, 42, 43	Analog GND	13, 14	+15
8, 9, 27	Chassis GND	15, 16, 33, 50	28V Input RTN
4	12V OK	17, 18, 34, 51	+28V Input
5, 15, 22, 23, 26, 37	+/-15VRTN	24, 25, 38, 41	+15V
6	PS Ext. Clock RTN	28, 47	+12VRTN
19	PS Ext. Clock	30, 31, 48	+5V Analog
7	PS BIT	32, 49	+12V
11	PS On/Off	35, 44, 45, 46	3.3V