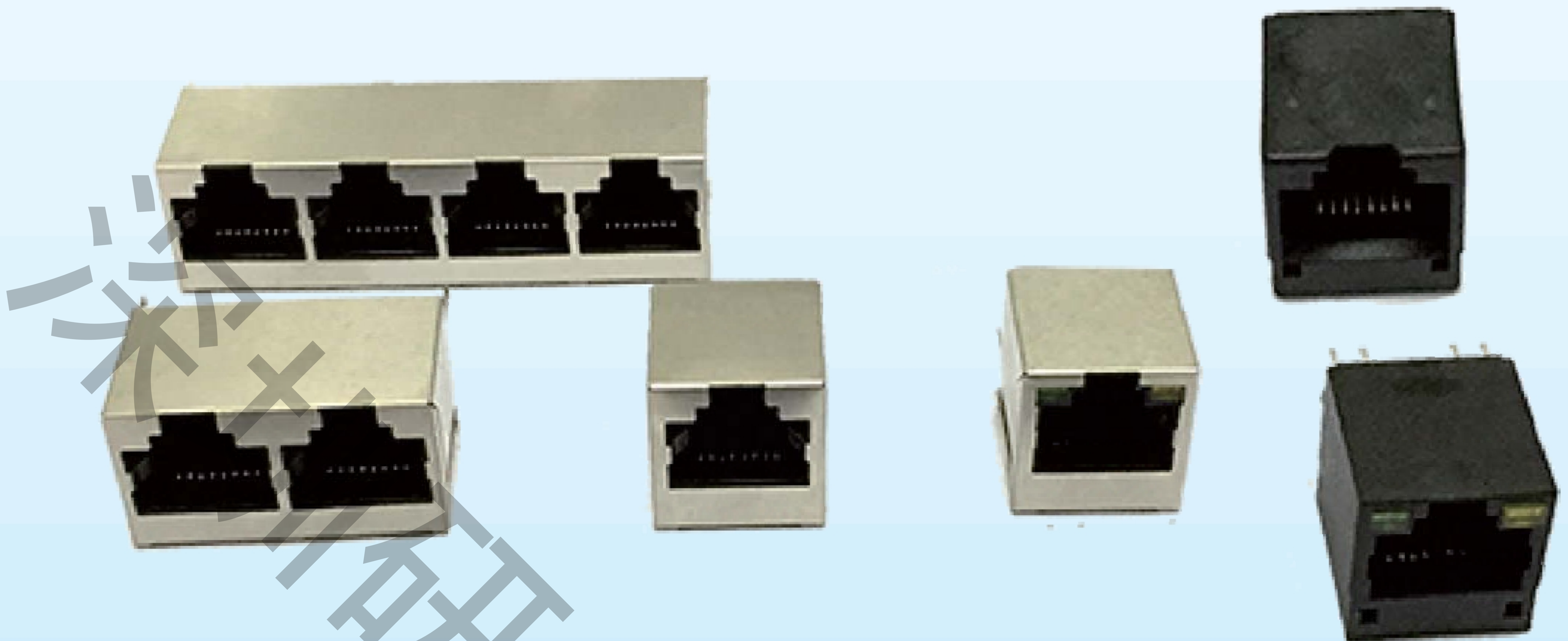


# RJ45/RJ11 Connectors

6052 Series

The fourth product style



## Electrical:

- 1.Voltage Rating:125 VAC RMS.
- 2.Current Rating:1.5 Amp.
- 3.Contact Resistance:50 MillioHMS Max.
- 4.Insulation Resistance:500 MegoHMS MIN@500 VDC.
- 5.Dielectric Strength:1000VAC RMS 50Hz.1Min.

## Mechanical:

- 1.Housing Material:Nylon+30%GF UL94V-0.
- 2.Contact Material:Phosphor Bronz  $\Phi$ 0.46mm Or T=0.35mm.
- 3.Plating:Gold Plating Over Nickel.
- 4.Shield:Copper Alloy(or Steel Alloy)0.20mm Thickness Plating Ni.
- 5.LED:Option.
- 6.Operating Life:750 Cycles Min.
- 7.Pcb Retention Pre-solder:1 Lb Min.
- 8.Pcb Retention Post-solder:10 Lb Min.

## Part Number:

**6052- XP XC XX X XX X 4 XXX**

Positions:  
10P 8P

Contacts:  
10C 8C

Ports:  
11=1X1Port  
12=1X2Ports  
14=1X4Ports  
15=1X5Ports  
18=1X8Ports

Connector Type:  
S=Straight  
R=Right Angle  
M=S.M.T

Contact Plating:  
G0=Gold Flash S0=Gold Flash/Tin  
G1=3u" Gold S1=3u" Gold/Tin  
G2=5u" Gold S2=5u" Gold/Tin  
G3=10u" Gold S3=10u" Gold/Tin  
G4=15u" Gold S4=15u" Gold/Tin  
G5=30u" Gold S5=30u" Gold/Tin  
SN=Tin

Led Style&Color:

- 0=W/O LED
- 1=Led 1 Green/Led 2 Yellow
- 2=Led 1 Yellow/Led 2 Green
- 3=Led 1 Green/Led 2 Green
- 4=Led 1 Yellow/Led 2 Yellow
- 5=Led 1 Red/Led 2 Green
- 6=Led 1 Green/Led 2 Red

PEG/TAB Type:

- 0=W/O PEG
- 1=Pin Distance Front3.05
- 2=Pin Distance Front3.68
- 3=Pin Distance Back3.85

Shield Type:

- 0=W/O Shield
- 1=Full Shield
- 2=Half Shield
- 3=Full Open Window
- 4=Front Half Open Window

Color Type:

- B=Black W=White
- U=Blue R=Red
- Y=Yellow G=Grey

\*Due to technical progress, all the information provided is subject to change without prior notice.



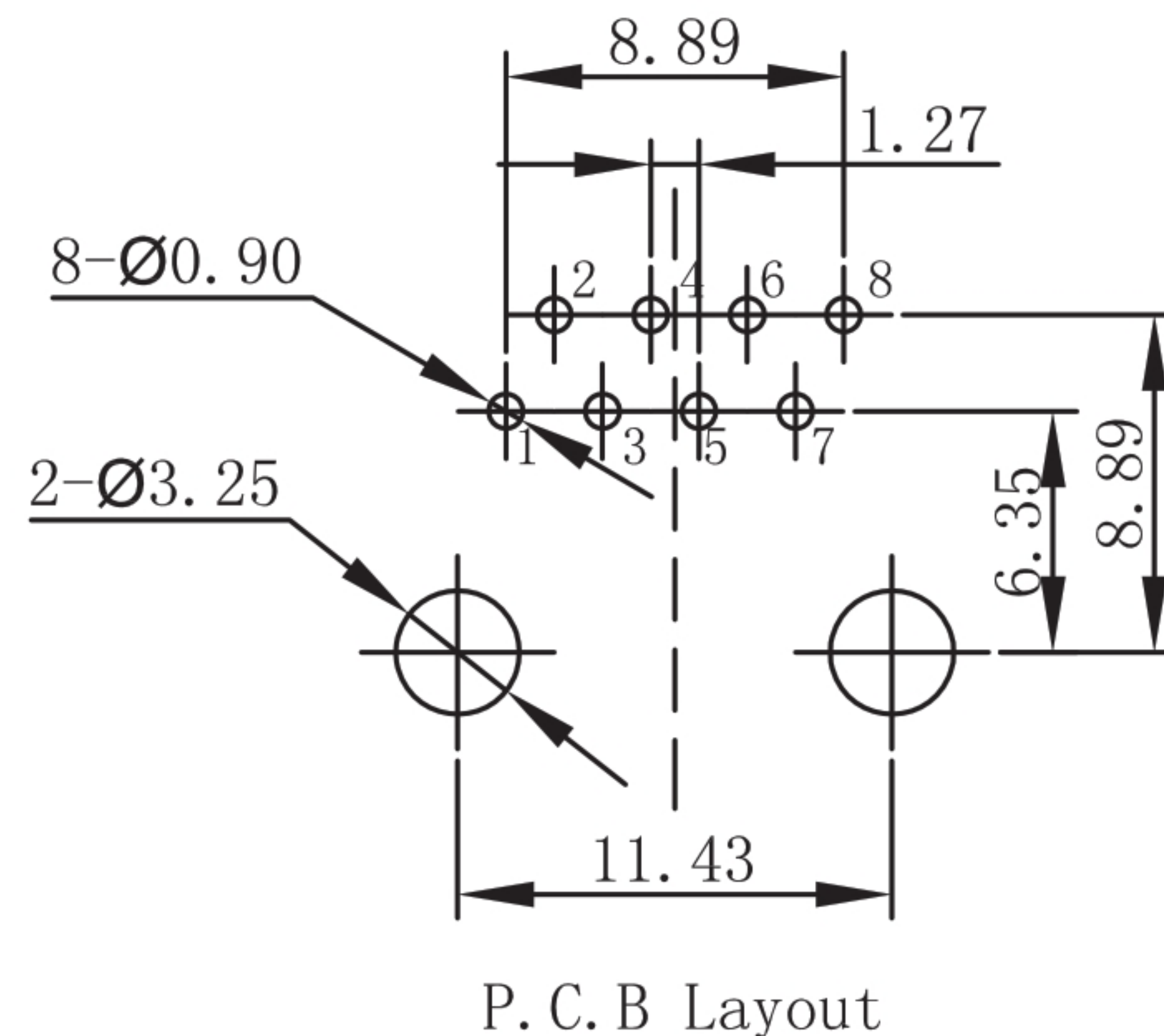
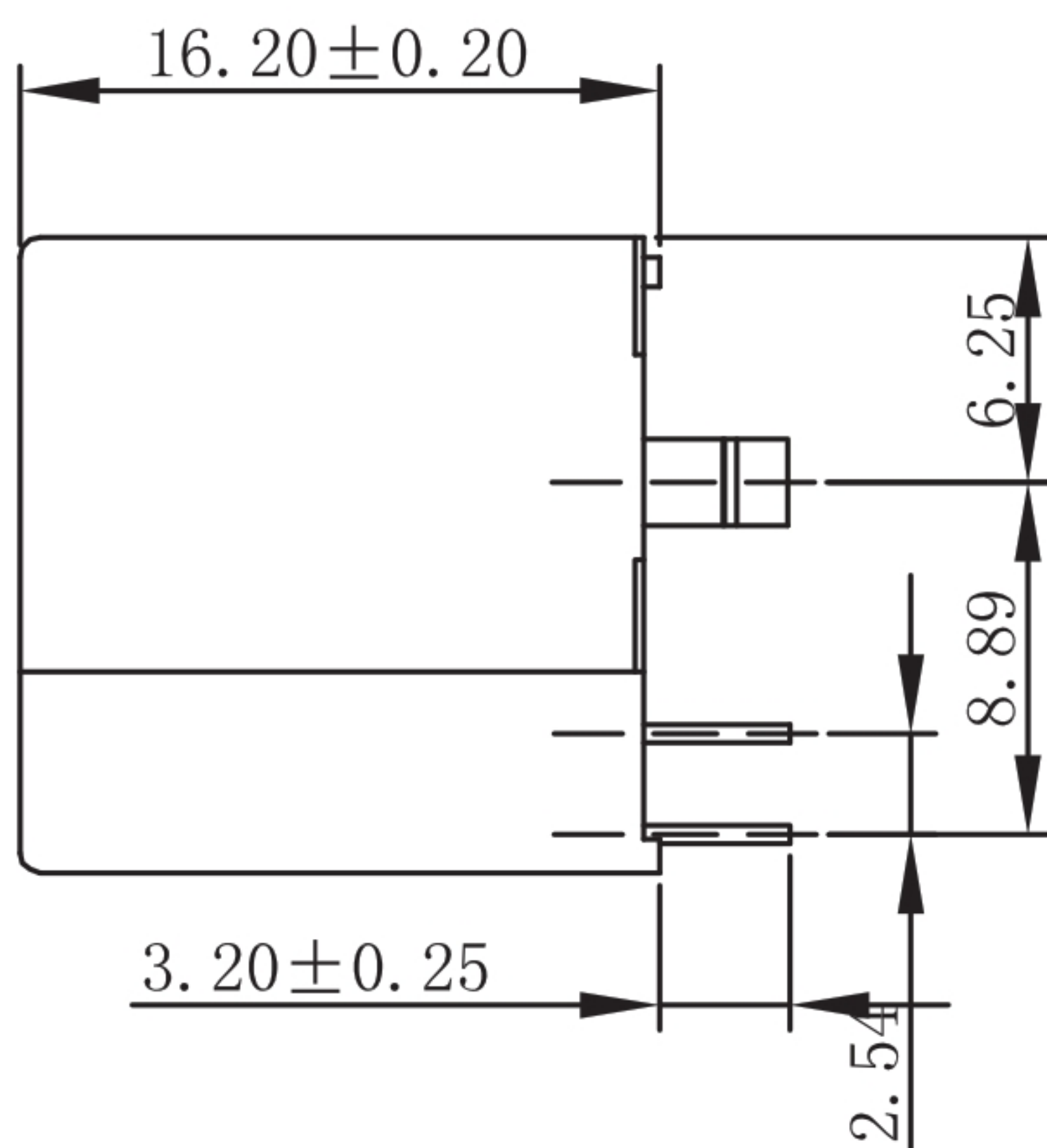
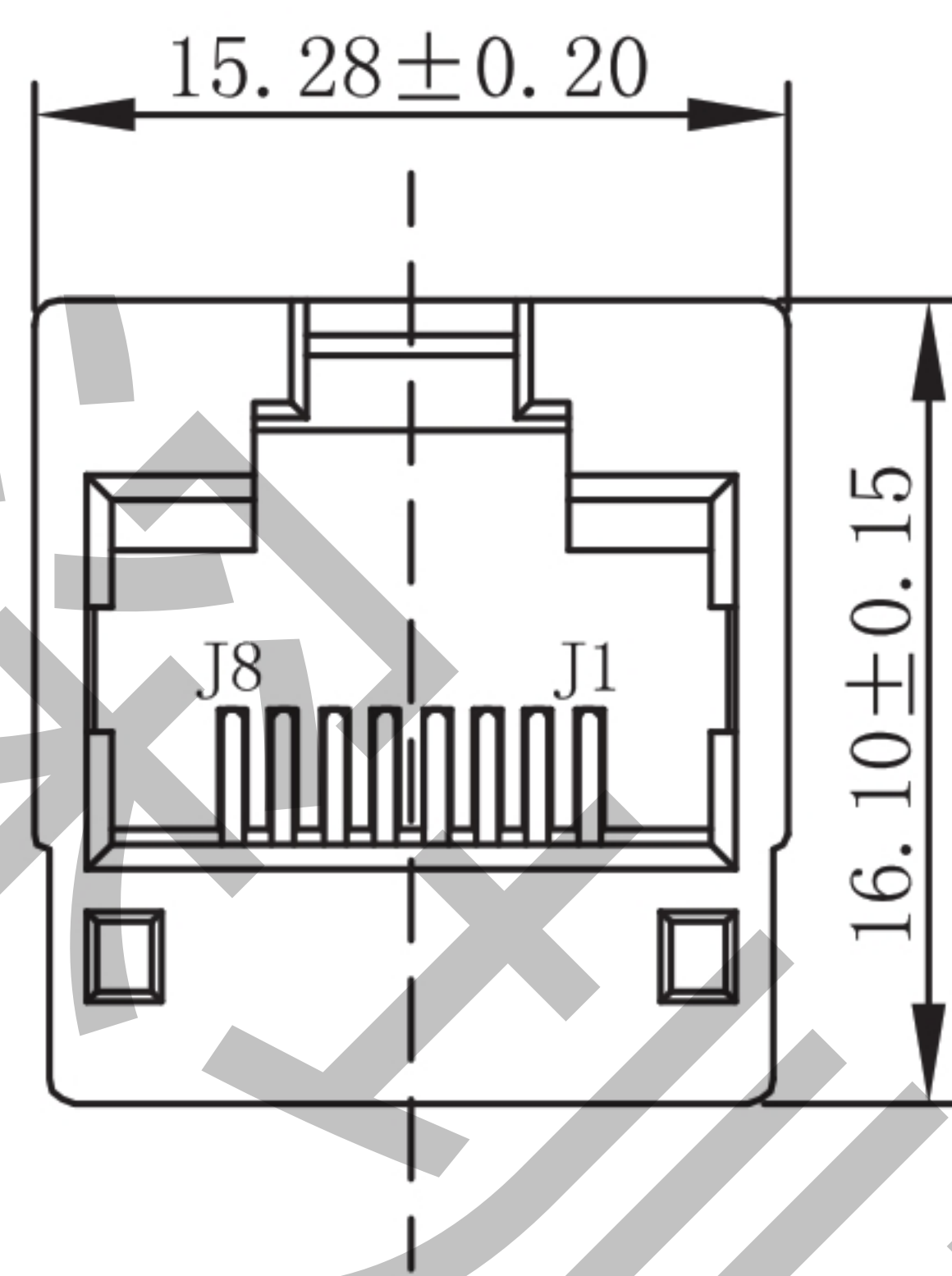
# RJ45/RJ11 Connectors

6052 Series

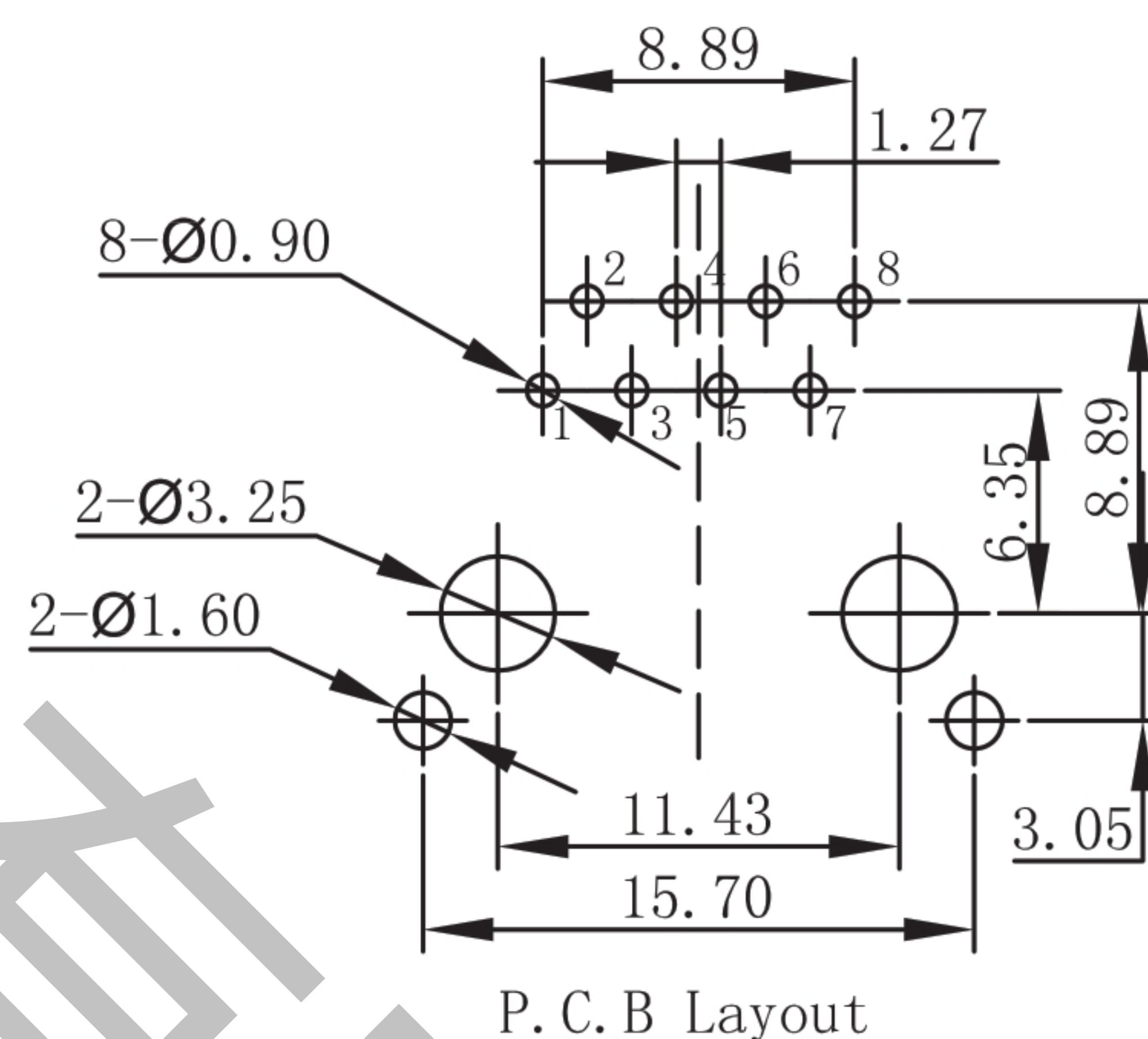
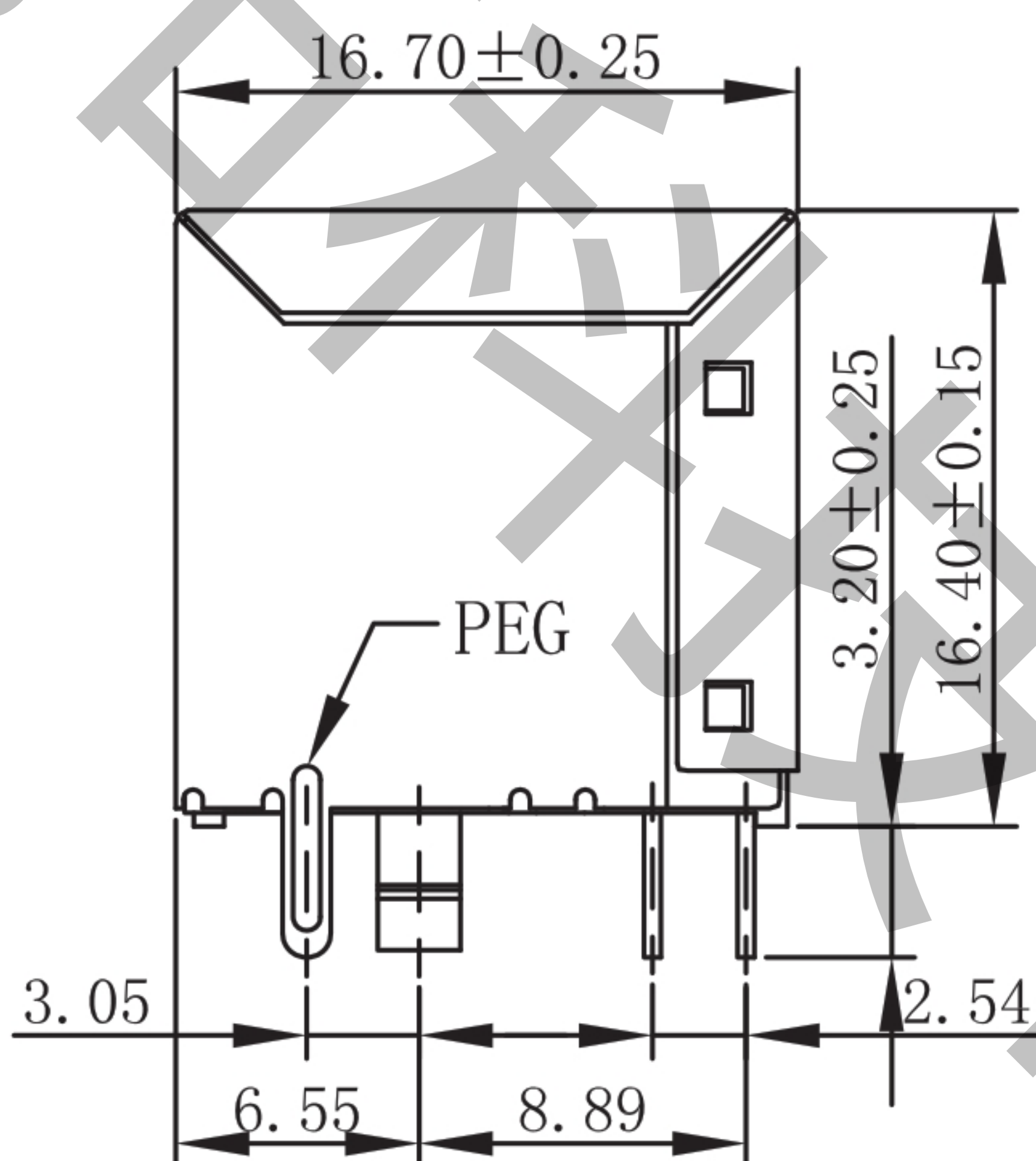
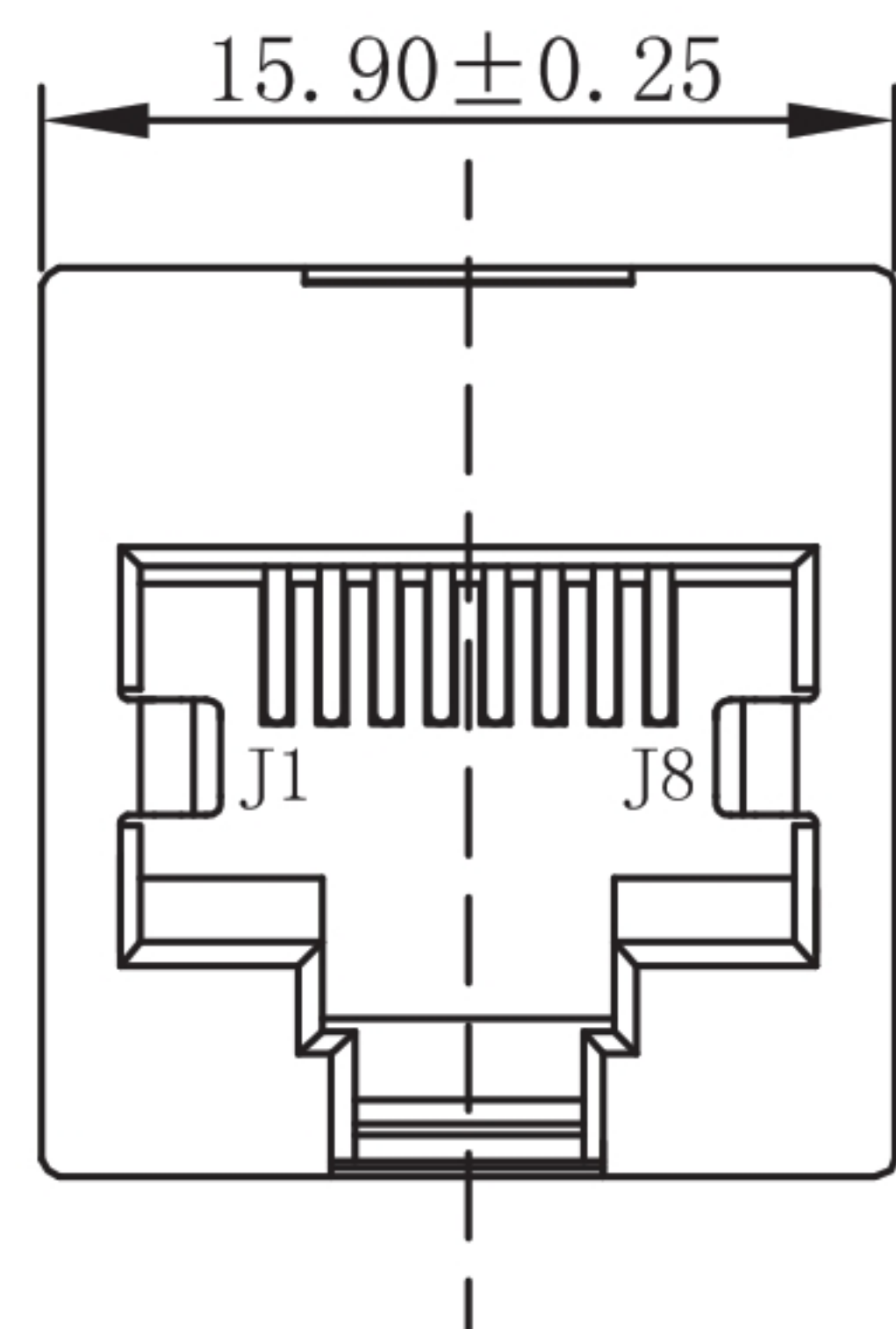
The fourth product style



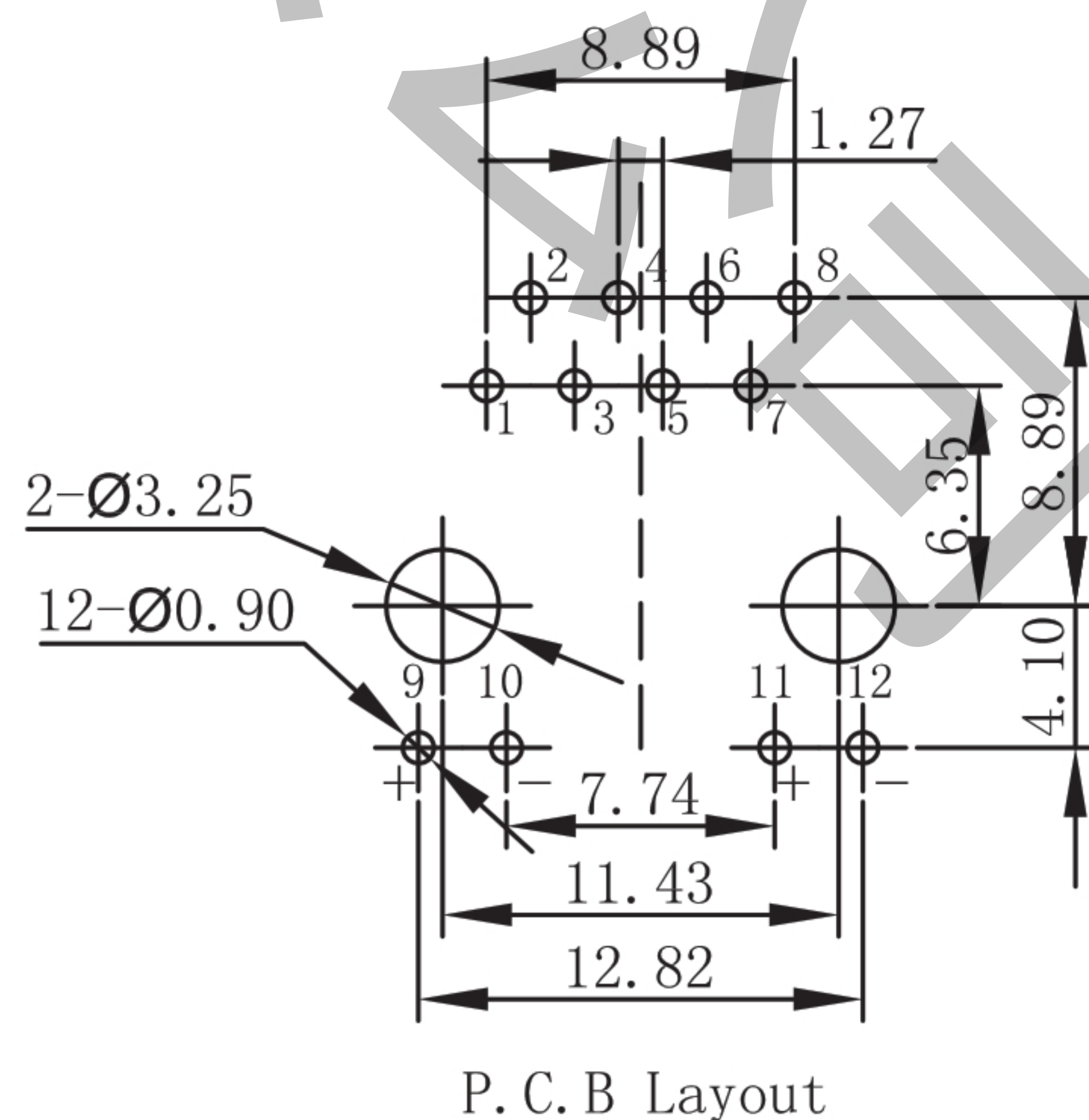
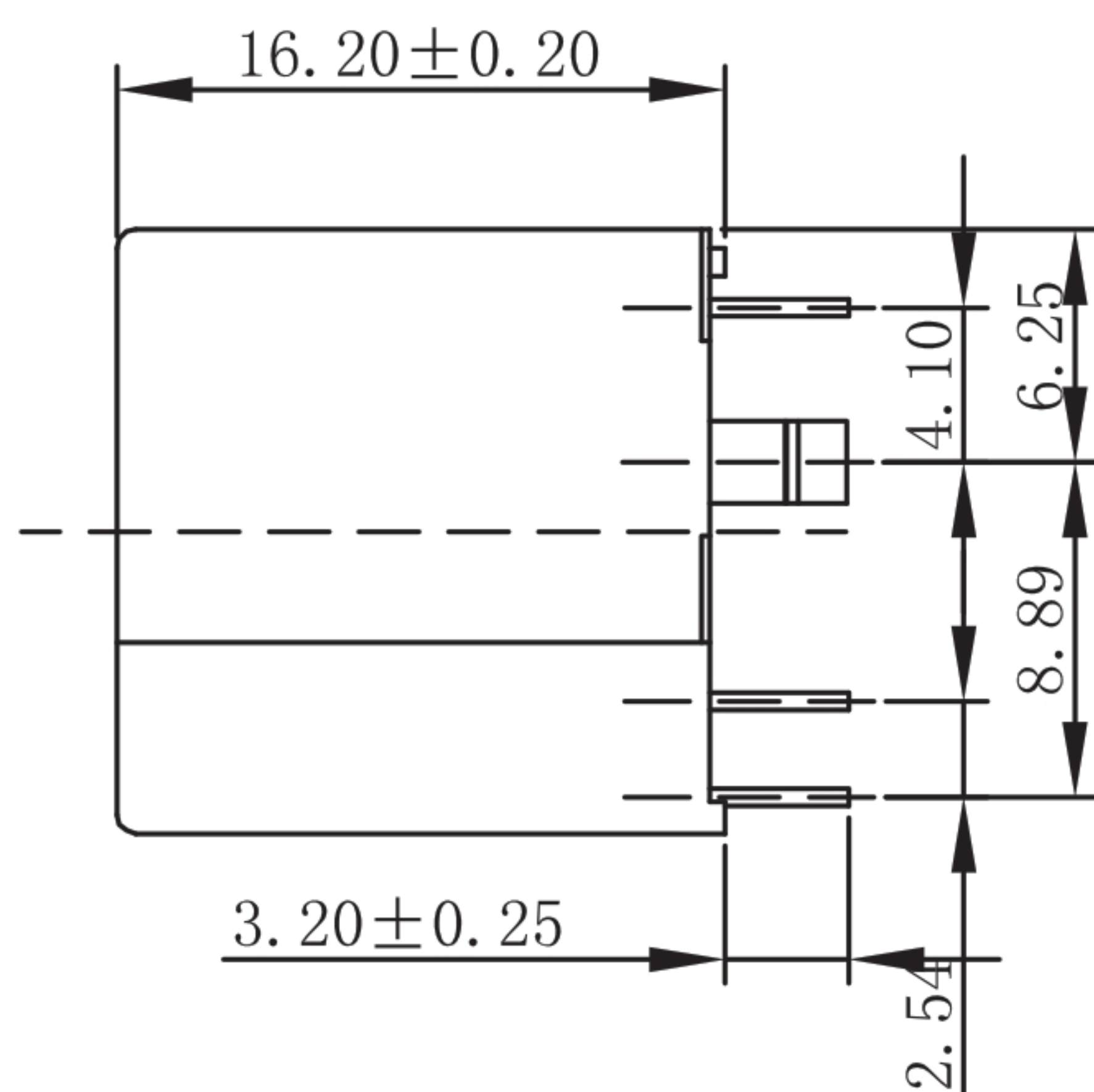
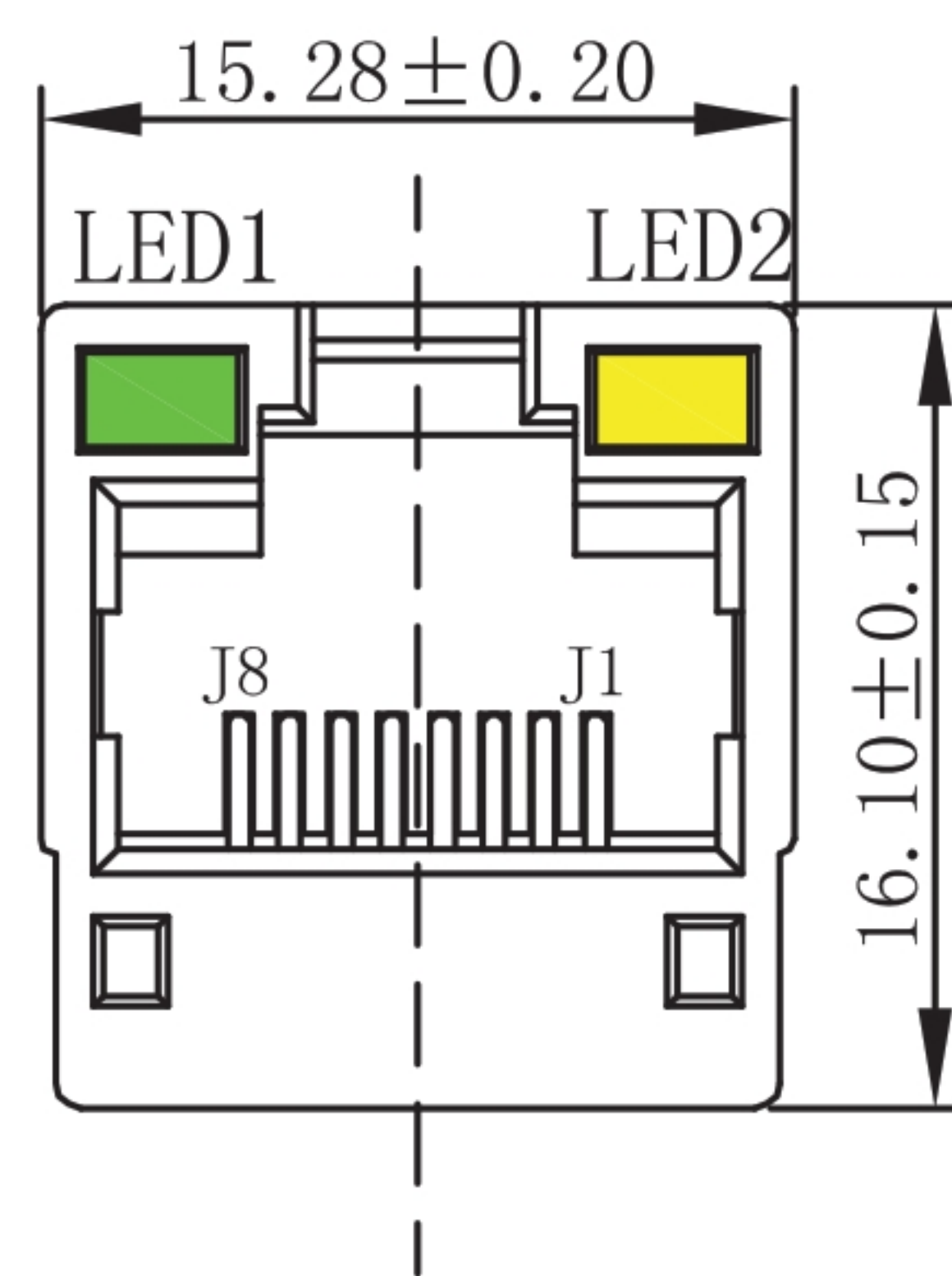
P/N:6052-8P8C11SXXX4000



P/N:6052-8P8C11SXXX4110



P/N:6052-8P8C11SXXX4001



\*Due to technical progress, all the information provided is subject to change without prior notice.



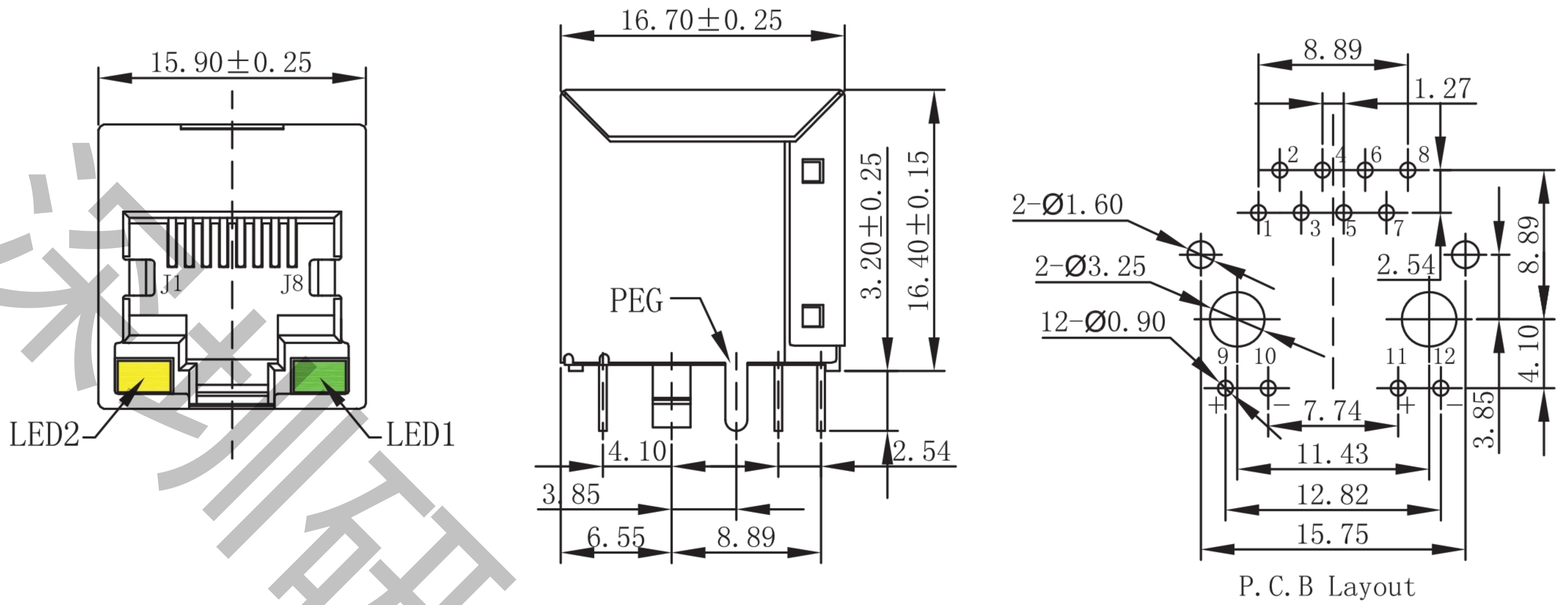
# RJ45/RJ11 Connectors

6052 Series

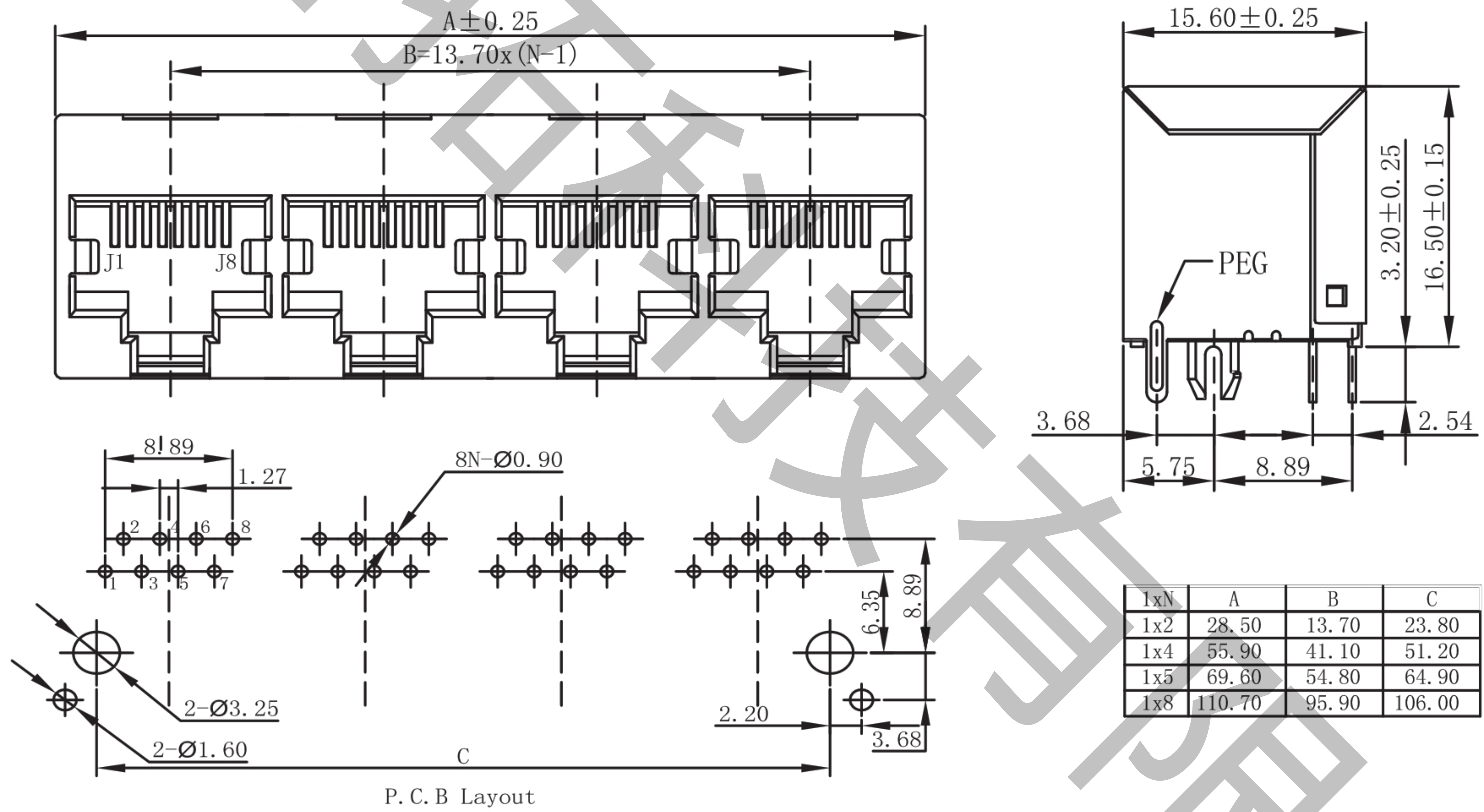
The fourth product style



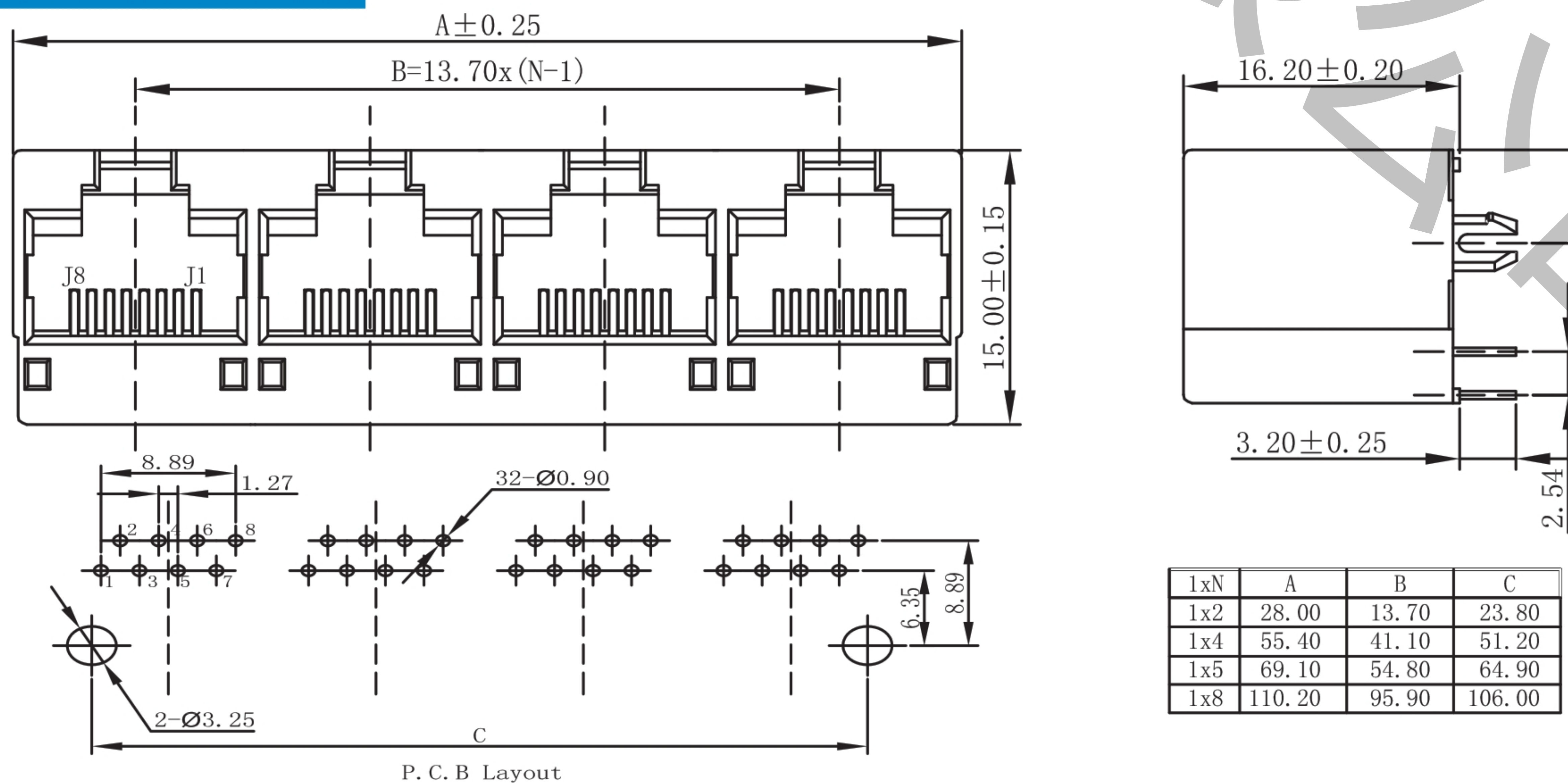
P/N:6052-8P8C11SXXX4130



P/N:6052-8P8C1XSXXX4000



P/N:6052-8P8C1XSXXX4000



\*Due to technical progress, all the information provided is subject to change without prior notice.