



SES02/04-230 AC230V
SEF02/04-24 AC/DC24V
SES02/04-120 AC120V

2 Nm
4 Nm

Damper actuator , ON/OFF Control , 0-95° Output angle , Autoprotection system , Working range modulable , Universal coupling
开关信号控制电动执行器 0-95°角行程 可调工作范围 全行程过载保护 万能联轴器输出

TECHNICAL DATA

技术参数



电源	Power supply	AC230V,AC/DC24V,AC120V
允差	Allow error	± 10%
输出力矩	Output torque	2N.m 4N.m
运行时间	Run time	80s...150s
运行功耗	Operating power	4VA
堵转功耗	Standstill power	1...4VA
输出角度	Output angle	90°(95°Max)
控制信号	Control signal TS...	2point on/offcontrol
	TF...	3 & 2 point on/offcontrol
适用轴径	Universal coupling	∅ 6...16mm or □ 5...11mm
过载保护	Overload protection	Automatic
防护等级	Protection class	IP54
使用环境	Ambient conditions	-10...+55°C 0...90%Rh
最大噪音	Noise level(max)	40dB(A)
净重	Weight	0.6...0.8kg

BASIC FEATURES

基本型功能表

Type	Output Torque	Hold Torque	Voltage	Control Signal	Operating Power	Standstill Power	RunTime	OutputAngle
SES02-230	2N.m	2 N.m	AC230V	2 point	12 VA	12 VA	80...150 s	0...95°
SEF02-24	2N.m	2 N.m	AC/DC24V	3 & 2 point	4 VA	4 VA	80...150 s	0...95°
SES02-120	2N.m	2 N.m	AC120V	2 point	12 VA	12 VA	80...150 s	0...95°
SES04-230	4N.m	4 N.m	AC230V	2 point	12 VA	12 VA	80...150 s	0...95°
SEF04-24	4N.m	4 N.m	AC/DC24V	3 & 2 point	4 VA	4 VA	80...150 s	0...95°
SES04-120	4N.m	4 N.m	AC120V	2 point	12 VA	12 VA	80...150 s	0...95°

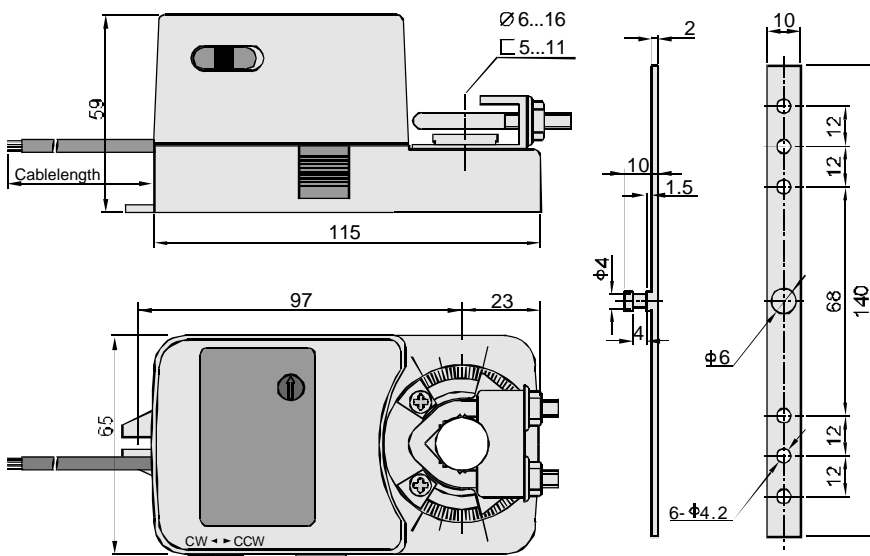
OPTIONAL FUNCTION

扩展功能

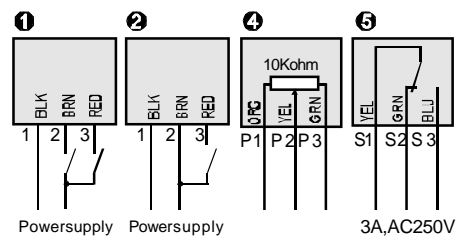
Type	Feature Descriptions
SE...02-...P	CW a potentiometer (10Kohm) 内附反馈电位器(10Kohm)
SE...02-...S	CW a microswitch(3A,AC250V) 内附1只无源微动开关(一组转换接点容量3A,AC250V)
SE...04-...P	CW a potentiometer (10Kohm) 内附反馈电位器(10Kohm)
SE...04-...S	CW a microswitch(3A,AC250V) 内附1只无源微动开关(一组转换接点容量3A,AC250V)

DIMENSIONS

安装尺寸



WIRING DESCRIPTIONS 电气接线



AC/DC24V: Connect via safety isolating transformer.
AC230/120V: To isolate from the main power supply, the system must incorporate a device which disconnects the phase conductors (with at least a 3mm contact gap).

Wiring diagrams	Power supply
SEF...-24	① or ② AC/DC24V
SES...-230	② AC230V
SES...-12	② AC120V
SEF...-...P	① + ④
SEF...-...P	② + ④
SEF...-...S	① + ⑤
SES...-...S	② + ⑤