

Keithley Instruments, Inc.
 28775 Aurora Road
 Cleveland, Ohio 44139
 1-888-KEITHLEY
 www.keithley.com

System SourceMeter® Specifications**1. SPECIFICATION CONDITIONS**

This document contains specifications and supplemental information for the Models 2635A and 2636A System SourceMeters®. Specifications are the standards against which the Models 2635A and 2636A are tested. Upon leaving the factory the 2635A and 2636A meet these specifications. Supplemental and typical values are non-warranted, apply at 23°C, and are provided solely as useful information.

Accuracy specifications are applicable for both Normal and High Capacitance Modes.

The source and measurement accuracies are specified at the SourceMeters® CHANNEL A (2635A and 2636A) or SourceMeters® CHANNEL B (2636A) terminals under the following conditions:

1. 23°C ± 5°C, < 70% relative humidity.
2. After two-hour warm-up.
3. Speed normal (1 NPLC).
4. A/D auto-zero enabled.
5. Remote sense operation or properly zeroed local operation.
6. Calibration period: one year.

2. SOURCE SPECIFICATIONS**VOLTAGE SOURCE SPECIFICATIONS**

Specifications Category	Specifications			
	RANGE	PROGRAMMING RESOLUTION	ACCURACY (1 Year) 23°C ± 5°C ± (% rdg. + volts)	TYPICAL NOISE (peak-peak) 0.1 Hz–10 Hz
Voltage Programming Accuracy ¹	200.000 mV	5 µV	0.02% + 375 µV	20 µV
	2.00000 V	50 µV	0.02% + 600 µV	50 µV
	20.0000 V	500 µV	0.02% + 5 mV	300 µV
	200.000 V	5 mV	0.02% + 50 mV	2 mV
Temperature Coefficient ²	± (0.15 × accuracy specification)/°C • For temperatures (0°–18°C & 28°–50°C)			
Maximum Output Power and Source/Sink Limits ³	30.3 W per channel maximum. • ± 20.2 V @ ± 1.5 A • ± 202 V @ ± 100 mA • Four-quadrant source or sink operation.			
Voltage Regulation	Line: 0.01% of range Load: ± (0.01% of range + 100 µV).			
Noise 10 Hz – 20 MHz	< 20 mV peak-peak (typical), < 3 mV RMS (typical) • 20 V range			

¹ Add 50 µV to source accuracy specifications per volt of HI lead drop.

² High Capacitance Mode accuracy is applicable at 23°C ± 5°C only.

³ Full power source operation regardless of load to 30°C ambient. Above 30°C and/or power sink operation, refer to “Operating Boundaries” in the Series 2600A Reference Manual for additional power derating information.

Keithley Instruments, Inc.
 28775 Aurora Road
 Cleveland, Ohio 44139
 1-888-KEITHLEY
 www.keithley.com

System SourceMeter® Specifications

Specifications Category	Specifications
Current Limit/Compliance ⁴	Bipolar current limit (compliance) set with single value. Minimum value is 100 pA. Accuracy is the same as current source.
Overshoot	< ± (0.1% + 10 mV) (typical) • Step size = 10% to 90% of range, resistive load, maximum current limit/compliance.
Guard Offset Voltage	< 4 mV • Current < 10 mA

CURRENT SOURCE SPECIFICATIONS

Specifications Category	Specifications			
	RANGE	PROGRAMMING RESOLUTION	ACCURACY (1 Year) 23°C ± 5°C ± (% rdg. + amps)	TYPICAL NOISE (peak-peak) 0.1 Hz–10 Hz
Current Programming Accuracy	1.00000 nA	20 fA	0.15% + 2 pA	800 fA
	10.0000 nA	200 fA	0.15% + 5 pA	2 pA
	100.000 nA	2 pA	0.06% + 50 pA	5 pA
	1.00000 µA	20 pA	0.03% + 700 pA	25 pA
	10.0000 µA	200 pA	0.03% + 5 nA	60 pA
	100.000 µA	2 nA	0.03% + 60 nA	3 nA
	1.00000 mA	20 nA	0.03% + 300 nA	6 nA
	10.0000 mA	200 nA	0.03% + 6 µA	200 nA
	100.000 mA	2 µA	0.03% + 30 µA	600 nA
	1.00000 A ⁵	20 µA	0.05% + 1.8 mA	70 µA
	1.50000 A ⁵	50 µA	0.06% + 4 mA	150 µA
	10.0000 A ^{5,6}	200 µA	0.5% + 40 mA (typical)	
Temperature Coefficient ⁷	± (0.15 × accuracy specification)/°C • For temperatures (0° – 18°C & 28° – 50°C)			

⁴ For sink mode operation (quadrants II and IV), add 0.06% of limit range to the corresponding current limit accuracy specifications. Specifications apply with sink mode enabled.

⁵ Full power source operation regardless of load to 30°C ambient. Above 30°C and/or power sink operation, refer to “Operating Boundaries” in the Series 2600A Reference Manual for additional power derating information.

⁶ 10A range accessible only in pulse mode.

⁷ High Capacitance Mode accuracy is applicable at 23°C ± 5°C only.

Keithley Instruments, Inc.
28775 Aurora Road
Cleveland, Ohio 44139
1-888-KEITHLEY
www.keithley.com

System SourceMeter® Specifications

Specifications Category	Specifications
Maximum Output Power and Source/Sink Limits ⁸	30.3 W per channel maximum. <ul style="list-style-type: none"> • $\pm 1.515 \text{ A} @ \pm 20 \text{ V}$ • $\pm 101 \text{ mA} @ \pm 200 \text{ V}$ • Four-quadrant source or sink operation.
Current Regulation	Line: 0.01% of range Load: $\pm (0.01\% \text{ of range} + 100\text{pA})$.
Voltage Limit/Compliance ⁹	Bipolar voltage limit (compliance) set with single value. Minimum value is 20 mV. Accuracy is the same as voltage source.
Overshoot	< $\pm 0.1\%$ (typical) <ul style="list-style-type: none"> • step size = 10% to 90% of range, resistive load • See CURRENT SOURCE OUTPUT SETTLING TIME for additional test conditions

ADDITIONAL SOURCE SPECIFICATIONS

Specifications Category	Specifications	
Transient Response Time	< 70 μs for the output to recover to within 0.1% for a 10% to 90% step change in load.	
Voltage Source Output Settling Time	Time required to reach within 0.1% of final value after source level command is processed on a fixed range.	
	Range	Settling Time
	200 mV	< 50 μs (typical)
	2 V	< 50 μs (typical)
	20 V	< 110 μs (typical)
Current Source Output Settling Time	200 V	< 700 μs (typical)
	Time required to reach within 0.1% of final value after source level command is processed on a fixed range. <ul style="list-style-type: none"> • Values below for $I_{\text{out}} \times R_{\text{load}} = 2 \text{ V}$ unless noted 	
	Current Range	Settling Time
	1.5 A – 1 A	< 120 μs (typical) ($R_{\text{load}} > 6 \Omega$)
	100 mA – 10 mA	< 80 μs (typical)
	1 mA	< 100 μs (typical)
	100 μA	< 150 μs (typical)
	10 μA	< 500 μs (typical)
	1 μA	< 2 ms (typical)
100 nA	< 20 ms (typical)	
10 nA	< 40 ms (typical)	
1 nA	< 150 ms (typical)	

⁸ Full power source operation regardless of load to 30°C ambient. Above 30°C and/or power sink operation, refer to “Operating Boundaries” in the Series 2600A Reference Manual for additional power derating information.

⁹ For sink mode operation (quadrants II and IV), add 10% of compliance range and $\pm 0.02\%$ of limit setting to corresponding voltage source specification. For 200mV range add an additional 120mV of uncertainty.

Keithley Instruments, Inc.
 28775 Aurora Road
 Cleveland, Ohio 44139
 1-888-KEITHLEY
 www.keithley.com

System SourceMeter® Specifications

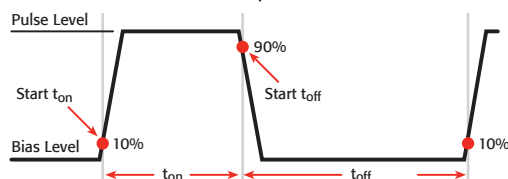
Specifications Category	Specifications
DC Floating Voltage	Output can be floated up to ± 250 VDC
Remote Sense Operating Range ¹⁰	Maximum voltage between HI and SENSE HI = 3 V Maximum voltage between LO and SENSE LO = 3V
Voltage Output Headroom	200 V Range <ul style="list-style-type: none"> Maximum output voltage = 202.3 V – total voltage drop across source leads. (maximum 1 Ω per source lead) 20 V Range <ul style="list-style-type: none"> Maximum output voltage = 23.3 V – total voltage drop across source leads. (maximum 1 Ω per source lead)
Over Temperature Protection	Internally sensed temperature overload puts unit in standby mode.
Voltage Source Range Change Overshoot	< 300 mV + 0.1% of larger range (typical) <ul style="list-style-type: none"> Overshoot into a 200 KΩ load, 20 MHz BW
Current Source Range Change Overshoot	< 5% of larger range + 300 mV/Rload (typical – With source settling set to SETTLE_SMOOTH_100NA) <ul style="list-style-type: none"> See CURRENT SOURCE OUTPUT SETTLING TIME for additional test conditions.

PULSE SPECIFICATIONS

Specifications Category	Specifications			
	Region Circled On Quadrant Diagram	Maximum Current Limit	Maximum Pulse Width ¹¹	Maximum Duty Cycle ¹²
Pulse Specifications	1	100 mA at 200 V	DC, no limit	100%
	1	1.5 A at 20 V	DC, no limit	100%
	2	1 A at 180 V	8.5 ms	1%
	3 ¹³	1 A at 200V	2.2 ms	1%
	4	10 A at 5 V	1 ms	2.2%

¹⁰ Add 50 μ V to source accuracy specifications per volt of HI lead drop.

¹¹ Times measured from the start of pulse to the start off-time; see figure below.



¹² Thermally limited in sink mode (quadrants 2 and 4) and ambient temperatures above 30°C. See power equations in the Reference Manual for more information.

¹³ Voltage source operation with 1.5 A current limit.

Keithley Instruments, Inc.
 28775 Aurora Road
 Cleveland, Ohio 44139
 1-888-KEITHLEY
 www.keithley.com

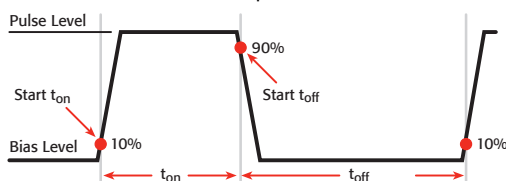
System SourceMeter® Specifications

Specifications Category	Specifications
Minimum Programmable Pulse Width ^{14,15}	100 μ s • Note: Minimum pulse width for settled source at a given I/V output and load can be longer than 200 μ s.
Pulse Width Programming Resolution	1 μ s
Pulse Width Programming Accuracy ¹⁵	\pm 5 μ s
Pulse Width Jitter	2 μ s (typical)
Quadrant Diagram	

¹⁴ Typical performance for minimum settled pulse widths: Typical tests were performed using remote operation, 4W sense, and best fixed measurement range. For more information on pulse scripts, see the Series 2600A Reference Manual.

Source Value	Load	Source Settling (% of range)	Min. Pulse Width
5 V	0.5 Ω	1%	300 μ s
20 V	200 Ω	0.2%	200 μ s
180 V	180 Ω	0.2%	5 ms
200 V (1.5 A Limit)	200 Ω	0.2%	1.5 ms
100 mA	200 Ω	1%	200 μ s
1 A	200 Ω	1%	500 μ s
1 A	180 Ω	0.2%	5 ms
10 A	0.5 Ω	0.5%	300 μ s

¹⁵ Times measured from the start of pulse to the start off-time; see figure below.



Keithley Instruments, Inc.
 28775 Aurora Road
 Cleveland, Ohio 44139
 1-888-KEITHLEY
 www.keithley.com

System SourceMeter® Specifications
3. METER SPECIFICATIONS
VOLTAGE MEASUREMENT SPECIFICATIONS

Specifications Category	Specifications			
Voltage Measurement Accuracy ^{16,17}	RANGE	DISPLAY RESOLUTION ¹⁸	INPUT IMPEDANCE	ACCURACY (1 Year) 23°C ± 5°C ± (% rdg. + volts)
	200.000 mV	1 µV	> 10 ¹⁴ Ω	0.015% + 225 µV
	2.00000 V	10 µV	> 10 ¹⁴ Ω	0.02% + 350 µV
	20.0000 V	100 µV	> 10 ¹⁴ Ω	0.015% + 5 mV
	200.000 V	1 mV	> 10 ¹⁴ Ω	0.015% + 50 mV
Temperature Coefficient ¹⁹	± (0.15 × accuracy specification)/°C • For temperatures (0°–18°C & 28°–50°C)			

¹⁶ Add 50µV to source accuracy specifications per volt of HI lead drop.

¹⁷ De-rate accuracy specifications for NPLC setting < 1 by increasing error term. Add appropriate % of range term using table below.

NPLC Setting	200 mV Range	2 V – 200 V Ranges	100 nA Range	1 µA – 100 mA Ranges	1 A – 1.5 A Ranges
0.1	0.01%	0.01%	0.01%	0.01%	0.01%
0.01	0.08 %	0.07%	0.1 %	0.05%	0.05%
0.001	0.8 %	0.6 %	1 %	0.5 %	1.1 %

¹⁸ Applies when in single channel display mode.

¹⁹ High Capacitance Mode accuracy is applicable at 23°C ± 5°C only.

Keithley Instruments, Inc.
 28775 Aurora Road
 Cleveland, Ohio 44139
 1-888-KEITHLEY
 www.keithley.com

System SourceMeter® Specifications
CURRENT MEASUREMENT SPECIFICATIONS

Specifications Category	Specifications			
Current Measurement Accuracy ¹⁷	RANGE	DISPLAY RESOLUTION²⁰	VOLTAGE BURDEN²¹	ACCURACY (1 Year) 23°C ± 5°C ± (% rdg. + amps)
	100.000 pA ^{22,23}	1 fA	< 1 mV	0.15% + 120 fA
	1.00000 nA ^{22,24}	10 fA	< 1 mV	0.15% + 240 fA
	10.0000 nA	100 fA	< 1 mV	0.15% + 3 pA
	100.000 nA	1 pA	< 1 mV	0.06% + 40 pA
	1.00000 µA	10 pA	< 1 mV	0.025% + 400 pA
	10.0000 µA	100 pA	< 1 mV	0.025% + 1.5 nA
	100.000 µA	1 nA	< 1 mV	0.02% + 25 nA
	1.00000 mA	10 nA	< 1 mV	0.02% + 200 nA
	10.0000 mA	100 nA	< 1 mV	0.02% + 2.5 µA
	100.000 mA	1 µA	< 1 mV	0.02% + 20 µA
	1.00000 A	10 µA	< 1 mV	0.03% + 1.5 mA
	1.50000 A	10 µA	< 1 mV	0.05% + 3.5 mA
	10.0000 ²⁵ A	100 µA	< 1 mV	0.4% + 25 mA
Current Measure ²⁶ Settling Time (Time for measurement to settle after a Vstep)	Time required to reach within 0.1% of final value after source level command is processed on a fixed range. • Values below for Vout = 2 V unless noted			
	Current Range		Settling Time	
	1 mA		< 100 µs (typical)	
Temperature Coefficient ²⁷	± (0.15 × accuracy specification)/°C • For temperatures (0°–18°C & 28°–50°C)			

²⁰ Applies when in single channel display mode.

²¹ Four-wire remote sense only and with current meter mode selected. Voltage measure set to 200 mV or 2 V range only.

²² 10-NPLC, 11-Point Median Filter, < 200V range, measurements made within 1 hour after zeroing. 23°C ± 1°C

²³ Under default specification conditions: ±(0.15% + 750 fA).

²⁴ Under default specification conditions: ±(0.15% + 1 pA).

²⁵ 10 A range accessible only in pulse mode.

²⁶ Delay factor set to 1. Compliance equal to 100 mA.

²⁷ High Capacitance Mode accuracy is applicable at 23°C ± 5°C only.

Keithley Instruments, Inc.
 28775 Aurora Road
 Cleveland, Ohio 44139
 1-888-KEITHLEY
 www.keithley.com

System SourceMeter® Specifications**CONTACT CHECK**

Specifications Category	Specifications		
Contact Check Specifications ²⁸	Speed	Maximum measurement time to memory for 60Hz (50Hz)	ACCURACY (1 Year) 23°C ± 5°C ± (% rdg. + ohms)
	Fast	1 ms (1.2 ms)	5% + 10 Ω
	Medium	4 ms (5 ms)	5% + 1 Ω
	Slow	36 ms (42 ms)	5% + 0.3 Ω

ADDITIONAL METER SPECIFICATIONS

Specifications Category	Specifications	
Maximum Load Impedance	Normal Mode 10nF (typical)	High Capacitance Mode 50uF (typical)
Common Mode Voltage	250 VDC	
Common Mode Isolation	> 1 GΩ < 4500 pF	
Overrange	101% of source range 102% of measure range	
Maximum Sense Lead Resistance	1 KΩ for rated accuracy	
Sense High Input Impedance	> 10 ¹⁴ Ω	

²⁸ Includes measurement of SENSE HI to HI and SENSE LO to LO contact resistances.

Keithley Instruments, Inc.
28775 Aurora Road
Cleveland, Ohio 44139
1-888-KEITHLEY
www.keithley.com

System SourceMeter® Specifications

HIGH CAPACITANCE MODE^{29,30,31}

Specifications Category	Specifications	
Accuracy Specifications	Accuracy specifications are applicable in both Normal and High Capacitance Modes.	
Voltage Source Output Settling Time	Time required to reach within 0.1% of final value after source level command is processed on a fixed range. Current limit = 1A	
	Voltage Source Range	Settling Time with $C_{load} = 4.7\mu F$
	200 mV	600 μs (typical)
	2 V	600 μs (typical)
	20 V	1.5 ms (typical)
	200 V	20 ms (typical)
Current Measure Settling Time	Time required to reach within 0.1% of final value after voltage source is stabilized on a fixed range. • Values below for $V_{out} = 2 V$ unless noted	
	Current Measure Range	Settling Time
	1.5 A – 1 A	< 120 μs (typical) ($R_{load} > 6 \Omega$)
	100 mA – 10 mA	< 100 μs (typical)
	1 mA	< 3 ms (typical)
	100 μA	< 3 ms (typical)
	10 μA	< 230 ms (typical)
	1 μA	< 230 ms (typical)
Capacitor Leakage Performance Using HIGH-C scripts ³²	200 ms (typical) @ 50 nA Load = $5\mu F 10M\Omega$ Test: 5V step & measure	
Mode Change Delay	100 μA Current Range and above: Delay into High Capacitance Mode: 10 ms Delay out of High Capacitance Mode: 10 ms 1 μA and 10 μA Current Ranges: Delay into High Capacitance Mode: 230 ms Delay out of High Capacitance Mode: 10 ms	
Voltmeter Input Impedance	30 G Ω in parallel with 3300 pF	
Noise 10 Hz – 20 MHz	< 30 mV peak-peak (typical) • 20 V Range	

²⁹ High Capacitance Mode specifications are for DC measurements only.

³⁰ 100 nA range and below are not available in High Capacitance Mode.

³¹ High Capacitance Mode utilizes locked ranges. Auto Range is disabled.

³² Part of KI Factory scripts, See reference manual for details.

Keithley Instruments, Inc.
 28775 Aurora Road
 Cleveland, Ohio 44139
 1-888-KEITHLEY
 www.keithley.com

System SourceMeter® Specifications

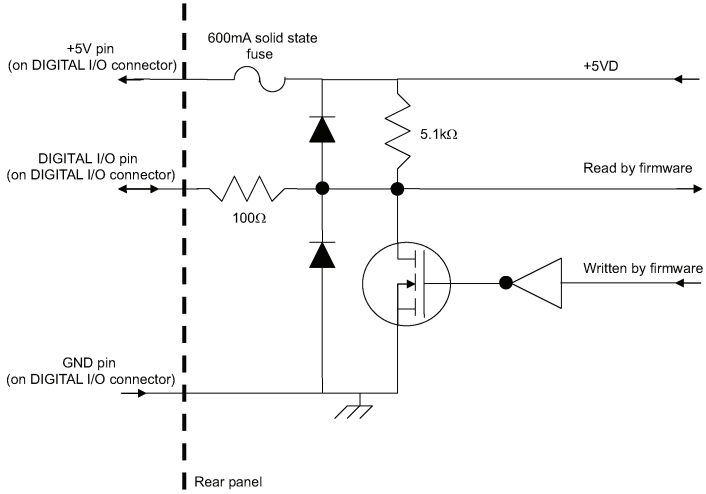
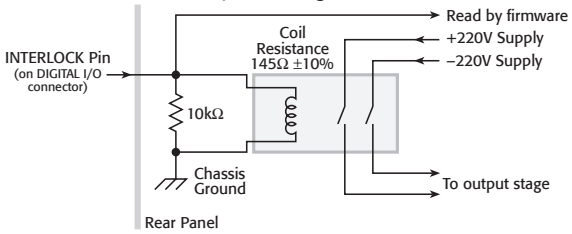
Specifications Category	Specifications
Voltage Source Range Change Overshoot	< 400 mV + 0.1% of larger range (typical) <ul style="list-style-type: none"> • For 20 V range and below • Overshoot into an 200 KΩ load, 20 MHz BW

4. GENERAL

Specifications Category	Specifications
IEEE-488	IEEE-488.1 compliant. Supports IEEE-488.2 common commands and status model topology.
RS-232	Baud rates from 300bps to 115200bps. Programmable number of data bits, parity type, and flow control (RTS/CTS hardware or none). When not programmed as the active host interface, the SourceMeter can use the RS-232 interface to control other –instrumentation
Ethernet	RJ-45 connector, LXI Class C, 10/100BT, no auto MDIX
LXI Compliance	LXI Class C 1.2 Total Output Trigger Response Time: 245 μs min., 280 μs typ., (not specified) max. Receive LAN[0-7] Event Delay: Unknown Generate LAN[0-7] Event Delay: Unknown
Expansion Interface	The TSP-Link expansion interface allows TSP enabled instruments to trigger and communicate with each other. Cable Type: Category 5e or higher LAN crossover cable. 3 meters maximum between each TSP enabled instrument

Keithley Instruments, Inc.
 28775 Aurora Road
 Cleveland, Ohio 44139
 1-888-KEITHLEY
 www.keithley.com

System SourceMeter® Specifications

Specifications Category	Specifications
<p>Digital I/O Interface</p>	 <p>Connector: 25-pin female D Input/Output Pins: 14 open drain I/O bits Absolute Maximum Input Voltage: 5.25 V Absolute Minimum Input Voltage: - 0.25 V Maximum Logic Low Input Voltage: 0.7V, +850 μA max Minimum Logic High Input Voltage: 2.1V, + 570 μA Maximum Source Current (flowing out of Digital I/O bit): + 960 μA Maximum Sink Current @ Maximum Logic Low Voltage (0.7V): - 5.0 mA Absolute Maximum Sink Current (flowing into Digital I/O pin): - 11 mA 5V Power Supply Pin: Limited to 600 mA, solid state fuse protected Safety Interlock Pin: Active high input. > 3.4 V @ 24 mA (absolute maximum of 6 V) must be externally applied to this pin to insure 200 V operation. This signal is pulled down to chassis ground with a 10 KΩ resistor. 200 V operation will be blocked when the INTERLOCK signal is < 0.4 V (absolute minimum -0.4 V). See figure below:</p> 
<p>USB</p>	<p>USB 1.0 Host Controller (Memory Stick I/O)</p>
<p>Power Supply</p>	<p>100 V to 250 VAC, 50 Hz – 60 Hz (auto sensing), 250 VA max</p>

Keithley Instruments, Inc.
28775 Aurora Road
Cleveland, Ohio 44139
1-888-KEITHLEY
www.keithley.com

System SourceMeter® Specifications

Specifications Category	Specifications
Cooling	Forced air. Side intake and rear exhaust. One side must be unobstructed when rack mounted
Warranty	1 year
EMC	Conforms to European Union Directive 2004/108/EEC, EN 61326-1
Safety	Conforms to European Union Directive 73/23/EEC, EN 61010-1, and UL 61010-1
Dimensions	89 mm high × 213 mm wide × 460 mm deep (3 ¹ / ₂ in × 8 ³ / ₈ in × 17 ¹ / ₂ in). Bench Configuration (with handle & feet): 104 mm high × 238 mm wide × 460 mm deep (4 ¹ / ₈ in × 9 ³ / ₈ in × 17 ¹ / ₂ in)
Weight	2635A: 4.75 Kg (10.4 lbs). 2636A: 5.50 Kg (12.0 lbs).
Environment	For indoor use only Altitude: Maximum 2000 meters above sea level Operating: 0° – 50°C, 70% R.H. up to 35°C. Derate 3% R.H./°C, 35° – 50°C Storage: – 25°C to 65°C

Keithley Instruments, Inc.
 28775 Aurora Road
 Cleveland, Ohio 44139
 1-888-KEITHLEY
 www.keithley.com

System SourceMeter® Specifications
5. MEASUREMENT SPEED SPECIFICATIONS^{33,34,35}
Maximum Sweep Operation Rates (operations per second) for 60Hz (50Hz):

A/D converter speed	Trigger origin	Measure to memory using user scripts	Measure to GPIB using user scripts	Source measure to memory using user scripts	Source measure to GPIB using user scripts	Source measure to memory using sweep API	Source measure to GPIB using sweep API
0.001 NPLC	Internal	20000 (20000)	10500 (10500)	7000 (7000)	6200 (6200)	12000 (12000)	5900 (5900)
0.001 NPLC	Digital I/O	8100 (8100)	7100 (7100)	5500 (5500)	5100 (5100)	11200 (11200)	5700 (5700)
0.01 NPLC	Internal	5000 (4000)	4000 (3500)	3400 (3000)	3200 (2900)	4200 (3700)	3100 (2800)
0.01 NPLC	Digital I/O	3650 (3200)	3400 (3000)	3000 (2700)	2900 (2600)	4150 (3650)	3050 (2775)
0.1 NPLC	Internal	580 (490)	560 (475)	550 (465)	550 (460)	575 (480)	545 (460)
0.1 NPLC	Digital I/O	560 (470)	450 (460)	545 (460)	540 (450)	570 (480)	545 (460)
1.0 NPLC	Internal	59 (49)	59 (49)	59 (49)	59 (49)	59 (49)	59 (49)
1.0 NPLC	Digital I/O	58 (48)	58 (49)	59 (49)	59 (49)	59 (49)	59 (49)

Maximum Single Measurement Rates (operations per second) for 60Hz (50Hz):

A/D converter speed	Trigger origin	Measure to GPIB	Source measure to GPIB	Source measure pass/fail to GPIB
0.001 NPLC	Internal	1900 (1800)	1400 (1400)	1400 (1400)
0.01 NPLC	Internal	1450 (1400)	1200 (1100)	1100 (1100)
0.1 NPLC	Internal	450 (390)	425 (370)	425 (375)
1.0 NPLC	Internal	58 (48)	57 (48)	57 (48)

Maximum measurement range change rate: >7000/second for >10 μ A typical. When changing to or from a range \geq 1A, maximum rate is >2200/second typical.

Maximum source range change rate: >400/second >10 μ A typical. When changing to or from a range \geq 1A, maximum rate is >190/second typical.

Maximum source function change rate: >1000/second, typical.

Command processing time: Maximum time required for the output to begin to change following the receipt of the smux.source.levelv or smux.source.leveli command. <1ms typical.

³³ Tests performed with a 2636A on Channel A using the following equipment: PC Hardware (Pentium® 4 2.4GHz, 512MB RAM, National Instruments PCI-GPIB). Driver (NI-486.2 Version 2.2 PCI-GPIB). Software (Microsoft® Windows® 2000, Microsoft® Visual Studio 2005, VISA version 4.1).

³⁴ Exclude current measurement ranges less than 1mA.

³⁵ 2635A/2636A with default measurement delays and filters disabled.

6. TRIGGERING AND SYNCHRONIZATION SPECIFICATIONS

Triggering:

- Trigger in to trigger out: 0.5 μ s, typical.
- Trigger in to source change:³⁶ 10 μ s, typical.
- Trigger Timer accuracy: \pm 2 μ s, typical.
- Source change³⁶ after LXI Trigger: 280 μ s, typical.

Synchronization:

- Single-node synchronized source change:³⁶ <0.5 μ s, typical.
- Multi-node synchronized source change:³⁶ <0.5 μ s, typical.

7. SUPPLEMENTAL INFORMATION

Front Panel Interface:

Two-line vacuum fluorescent display (VFD) with keypad and rotary knob.

Display:

- Show error messages and user-defined messages
- Display source and limit settings
- Show current and voltage measurements
- View measurements stored in dedicated reading buffers

Keypad operations:

- Change host interface settings
- Save and restore instrument setups
- Load and run factory and user-defined test scripts (i.e., sequences) that prompt for input and send results to the display
- Store measurements into dedicated reading buffers

Programming:

Embedded Test Script Processor (TSP) accessible from any host interface. Responds to individual instrument control commands. Responds to high-speed test scripts comprised of instrument control commands and Test Script Language (TSL) statements (e.g., branching, looping, math, etc.). Able to execute high-speed test scripts stored in memory without host intervention.

Minimum user memory available: 16MB (approximately 250,000 lines of TSL code).

Test Script Builder: Integrated development environment for building, running, and managing TSP scripts. Includes an instrument console for communicating with any TSP-enabled instrument in an interactive manner.

Requires:

- VISA (NI-VISA included on CD)
- Microsoft .NET Framework (included on CD)
- Keithley I/O Layer (included on CD)
- Pentium III 800MHz or faster personal computer
- Microsoft® Windows® 98, NT, 2000, or XP

³⁶ Fixed source range, with no polarity change.

Keithley Instruments, Inc.
28775 Aurora Road
Cleveland, Ohio 44139
1-888-KEITHLEY
www.keithley.com

System SourceMeter® Specifications

Software Interface: TSP™ Express (Embedded), Direct GPIB/VISA, Read/Write with VB, VC/C++, LabVIEW, TestPoint, LabWindows/CVI, etc.

Reading Buffers:

Non-Volatile memory utilizes dedicated storage area(s) reserved for measurement data. Reading buffers are arrays of measurement elements. Each element can hold the following items:

- Measurement
- Measurement status
- Timestamp
- Source setting (at the time the measurement was taken)
- Range information

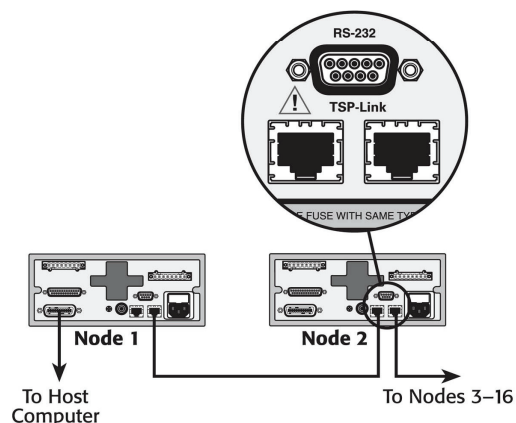
Two reading buffers are reserved for each SourceMeter channel. Reading buffers can be filled using the front panel STORE key, and retrieved using the RECALL key or host interface.

Buffer Size, with timestamp and source setting: > 60,000 samples.

Buffer Size, without timestamp and source setting: > 140,000 samples.

System Expansion:

The TSP-Link expansion interface allows TSP-enabled instruments to trigger and communicate with each other. See figure below:



Each SourceMeter has two TSP-Link connectors to facilitate chaining instruments together.

- Once SourceMeter instruments are interconnected via TSP-Link, a computer can access all of the resources of each SourceMeter via the host interface of any SourceMeter.
- A maximum of 32 TSP-Link nodes can be interconnected. Each SourceMeter consumes one TSP-Link node.

TIMER:

Free-running 47-bit counter with 1MHz clock input. Reset each time instrument powers up. Rolls over every 4 years.

Timestamp: TIMER value automatically saved when each measurement is triggered.

Resolution: 1 μ s.

Timestamp Accuracy: \pm 100ppm.