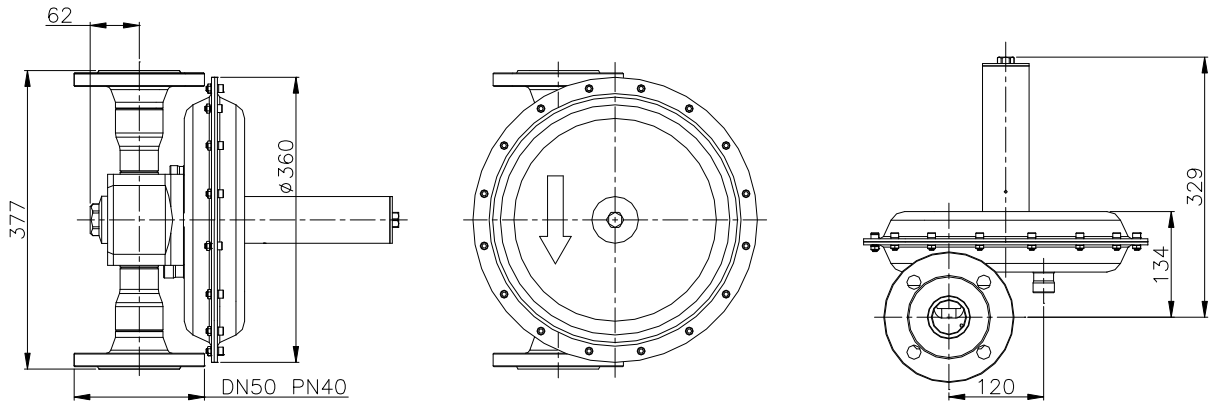
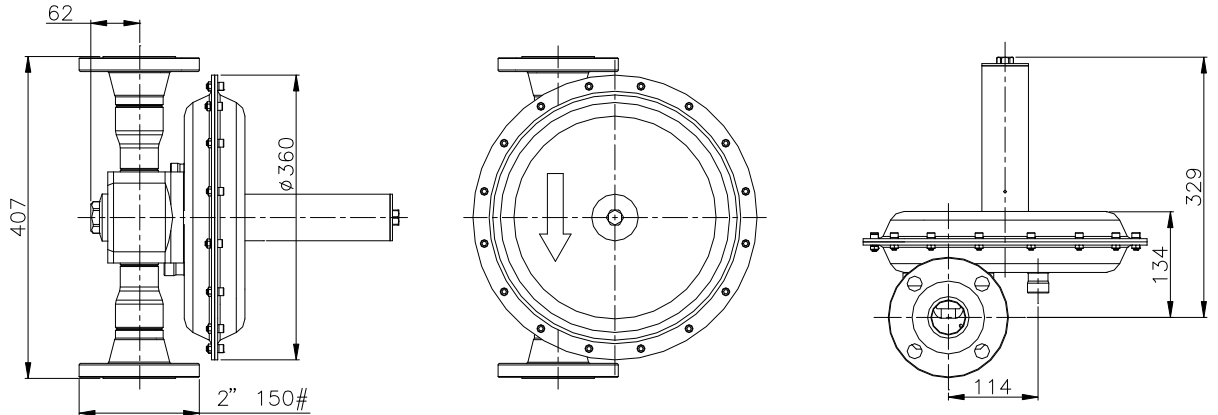


## DIMENSIONS



DN50 PN40 – EN 1092-1 / type 11 / B1



2" 150# - ANSI B16.5 / Raised Face / Ra 3.2 – 6.3

All dimensions are in millimeters.

## FLOWTABLE

		Airflow (Nm <sup>3</sup> /hr)											
Outlet pressure range (mbar)	Inlet pressure (bar)												
	1	2	3	4	5	6	7	8	10	12	14	16	
5 – 10													
10 – 50	90	180	270	360	450	540	630	720	900	1080	1260	1440	
20 – 200													

### Note:

As one can see the P1 determines the maximum flow.

### Reason:

P2 is less than half of the P1. In this situation the gas flows through the seat at sonic velocity, cannot go any faster. We have critical or choked flow.

So, even if P2 becomes 1 mbar, the flow will not increase.

