

TMSC- series | C Type Kinematic Mount with 2 adjusters

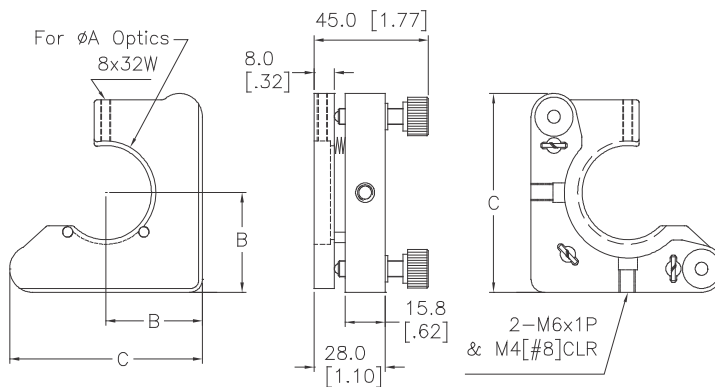


- Tilt Range: $\pm 4^\circ$
- Two-axis adjusters (θ_x, θ_y)
- 3 strong springs preload for higher stability
- Nylon Tipped Setscrew to fix lens
- 130tpi / 100tpi (optinal) precision screw with brass sleeve
- To order Imperial model please add * I * to Item

Features

The TMSC-series feature two-axis adjusters and C opening frame design which allows broader angle for beam to go through. This series comes with the exclusive 130 tpi precision screw with brass sleeve and can also be replaced with the optional 100 tpi fine screw.

TMSC- series



ITEM#	A	B	C
TMSC-1	25.0[1"]	25.4[1"]	50.8[2.0]
TMSC-1.5	38.0[1.5"]	32.0[1.26]	60.0[2.36]
TMSC-2	50.0[2"]	38.1[1.5"]	76.2[3.0]

Part Number	Driven Screw	Optics Dia: ϕ	Optics Thickness	Center Height	Weight
TMSC-1F	130 tpi screw	25mm (1")	Min: 3mm	25.4mm (1")	0.11 kg
TMSC-1.5F		38.1mm (1.5")	Min: 3mm	32 mm (1.26')	0.13 kg
TMSC-2F		50mm (2")	Min: 3mm	38.1 mm (1.5')	0.17 kg
TMSC-1	100 tpi screw	25mm (1")	Min: 3mm	25.4mm (1")	0.11 kg
TMSC-1.5		38.1mm (1.5")	Min: 3mm	32mm (1.26')	0.13 kg
TMSC-2		50mm (2")	Min: 3mm	38.1mm (1.5')	0.17 kg

光學鏡架

Optical
Table

Stage

Optics
Mounts

C Type Kinematic
Mount with
2 adjusters

TMSC - series

Post &
Component

Motion
System

Educations

Laser
Equipment

Lasers

Optics
& Crystals