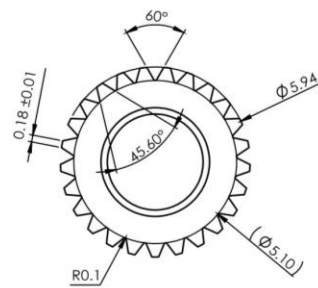
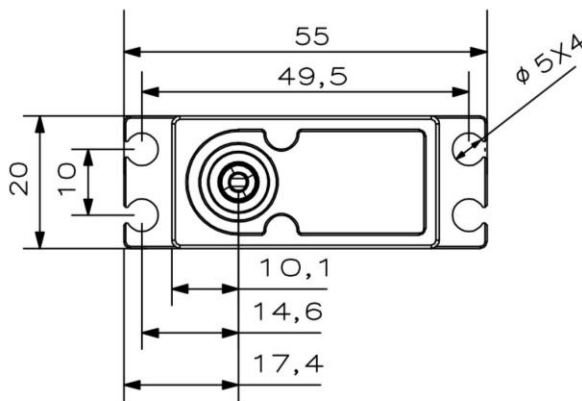
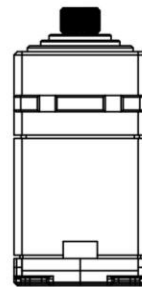
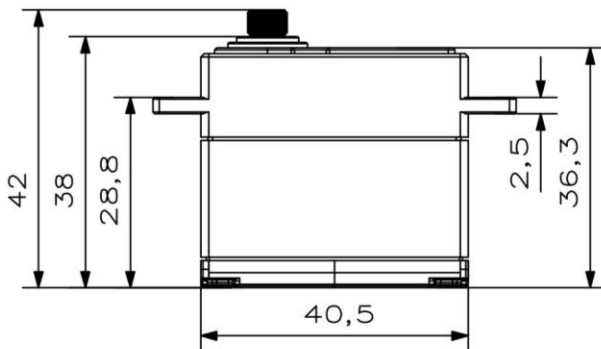


MS805

Technical Specification



25T



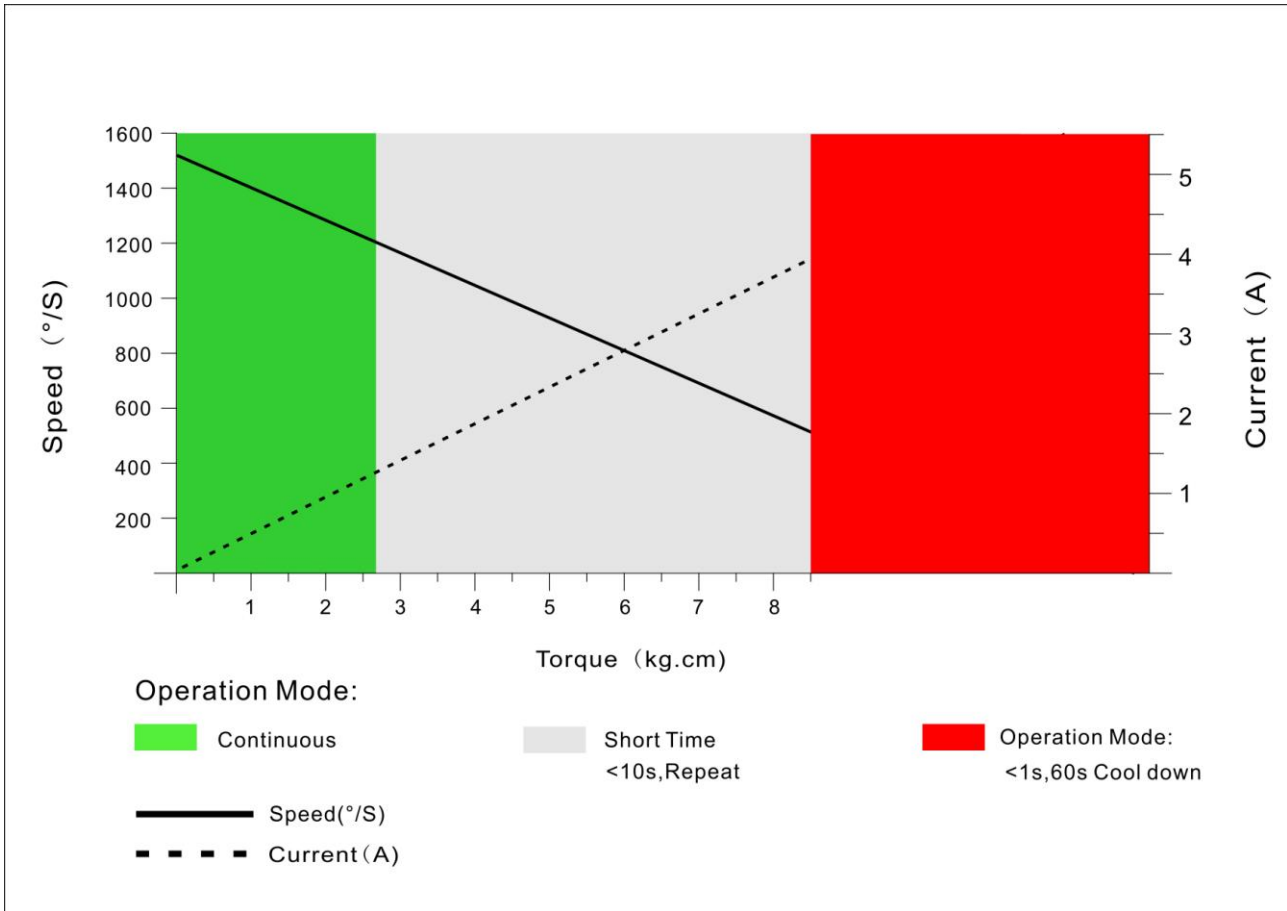
Operating Data

	MS805
Operation Voltage(rated)	DC7.4V
Operation Voltage Range	DC6.0V-8.4V
Torque	6.5Kg.cm@6.0V
	7.5Kg.cm@7.4V
	8.2Kg.cm@8.4V
Speed	0.045sec/60 °@6.0V
	0.040sec/60 °@7.4V
	0.035sec/60 °@8.4V
Travel Angle	± 50° when 450-1050us
Operating Temperature Range	-10℃ ……+65℃

Performance

MS805

@7.4V



PWM Command Signal

PWM	MS805
Pulse Lengths	450-1050us
Working Frequency	760us/560Hz
Resolution	<2us

Materials and protective features

Case Material	Aluminum Alloy
Splash Surface Treatment	
Salt Water Resistance	
EMI/RFI Shielding	
Motor Type	Brushless
Gear Set Material	Steel
Position Sensor	Contactless
Position Feedback	Optional
Shielded Connecting Cable	

Dimensions

Case Dimensions	40.50*20*38mm
Weight	69g