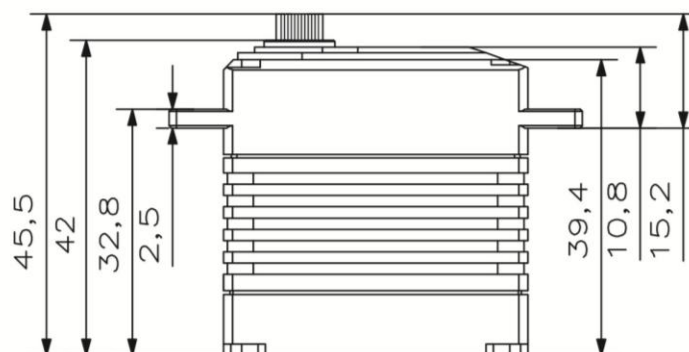
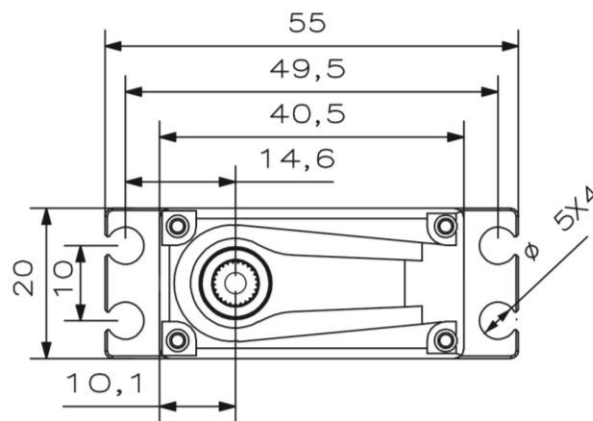


# X20-3612

## Technical Specification



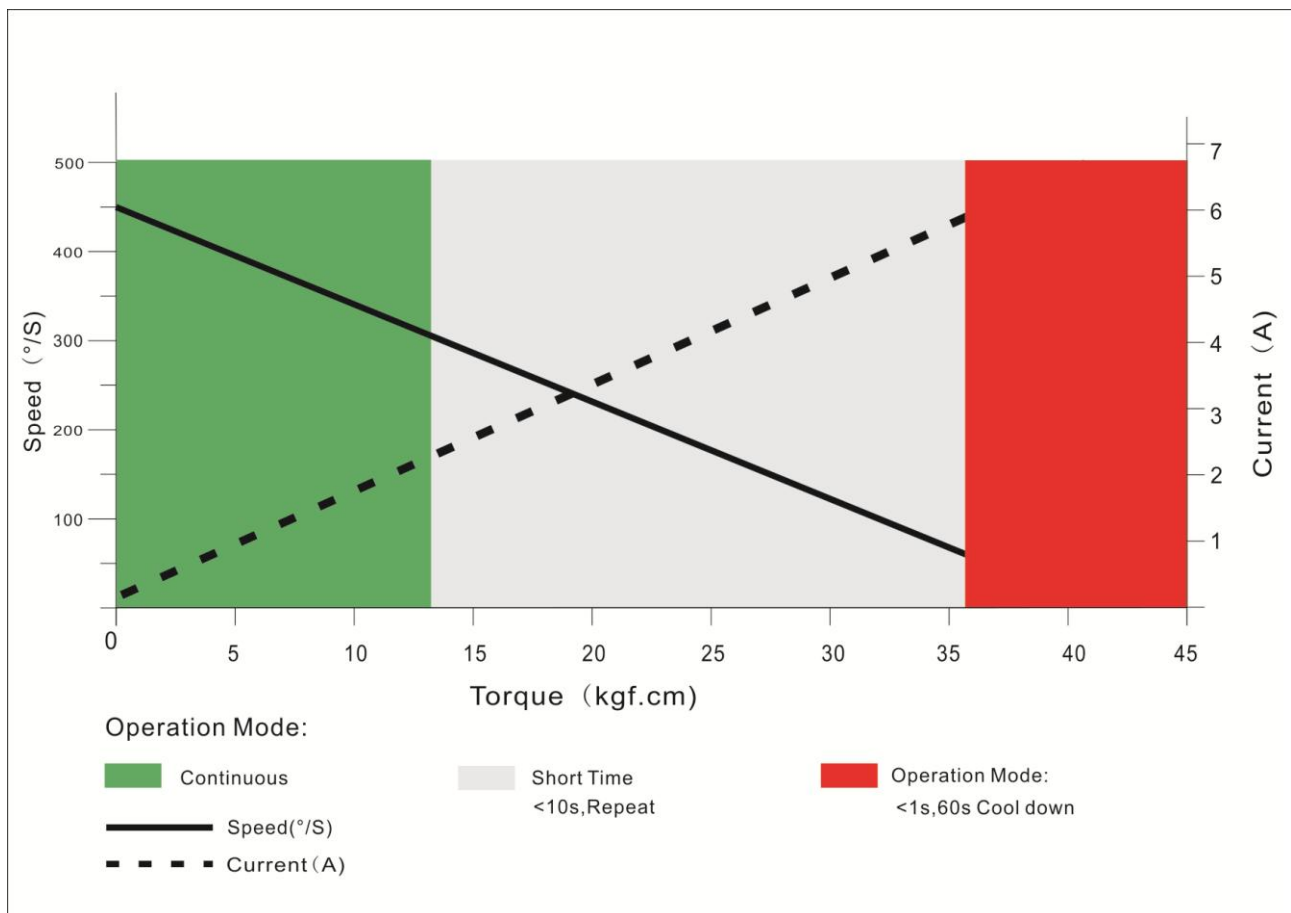
# Operating Data

	<b>X20-3612</b>
<b>Operation Voltage(rated)</b>	DC7.4V
<b>Operation Voltage Range</b>	DC6.0V-8.4V
<b>Torque</b>	28Kg.cm@6.0V
	36Kg.cm@7.4V
	40Kg.cm@8.4V
<b>Speed</b>	0.15sec/60 °@6.0V
	0.12sec /60 °@7.4V
	0.11sec /60 °@8.4V
<b>Travel Angle</b>	± 50° when 1000-2000us
<b>Operating Temperature Range</b>	-20°C ·····+65°C

## Performance

X20-3612

@7.4V



# PWM Command Signal

PWM	X20-3612
Signal Voltage	TTL-Level: HIGH:min.3.3V,max.5.0V TTL-Level: Low:min.0.0V,max.1.5V
Pulse Lengths	900-2100us
Pulse Lengths for Position $-50^{\circ}$ /center/ $+50^{\circ}$	1000us/1500us/2000us
Resolution	<2us

## Materials and protective features

Case Material	Aluminum Alloy
Splash Surface Treatment	
Salt Water Resistance	
EMI/RFI Shielding	
Motor Type	Brushless
Gear Set Material	Steel / Titanium
Position Sensor	Potentionmeter
Position Feedback	Optional
Shielded Connecting Cable	

## Dimensions

Case Dimensions	40.5*20*42mm
Weight	80g