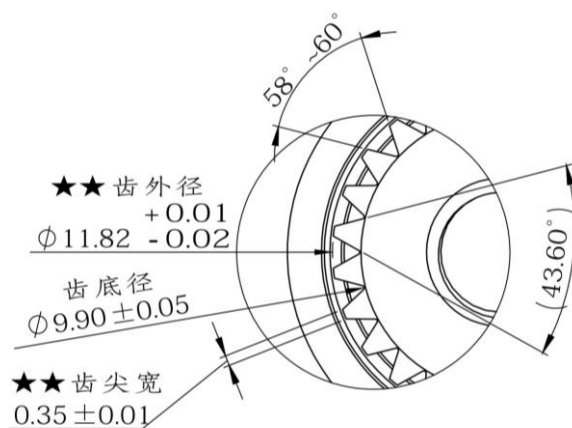
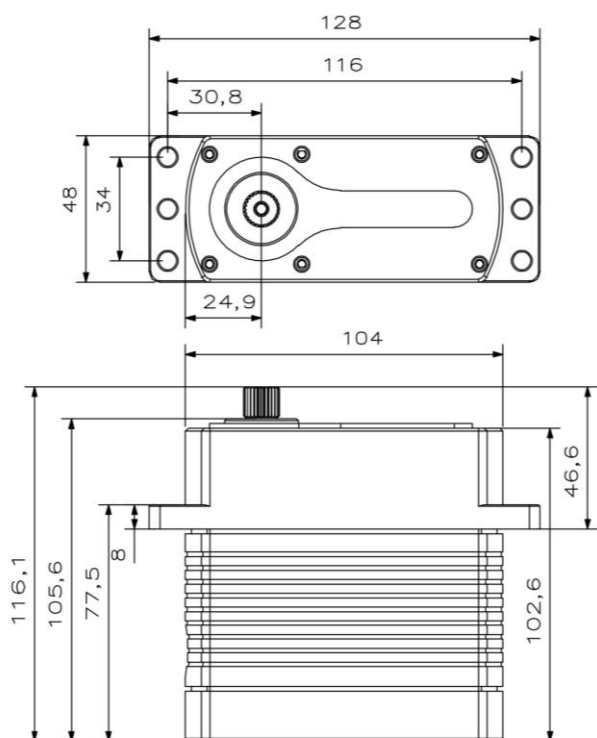
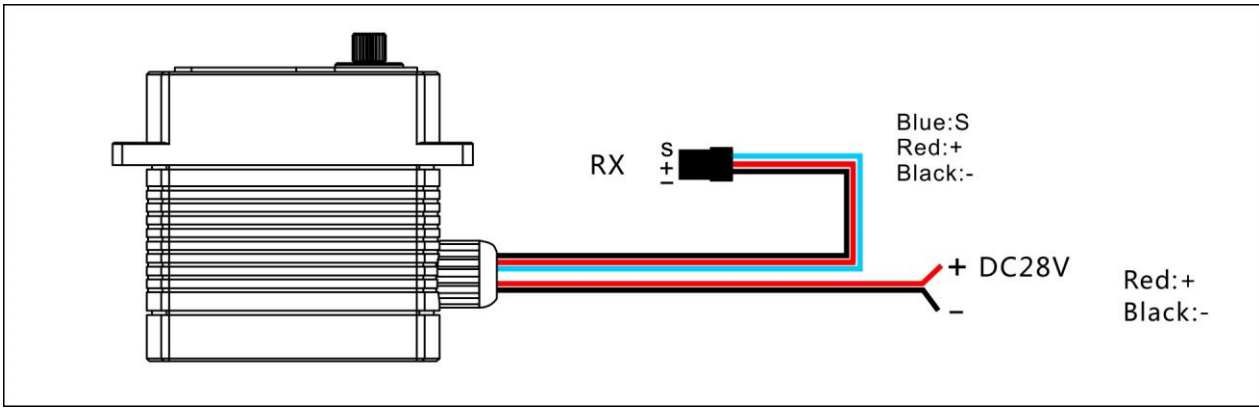




X50-28-625

Technical Specification

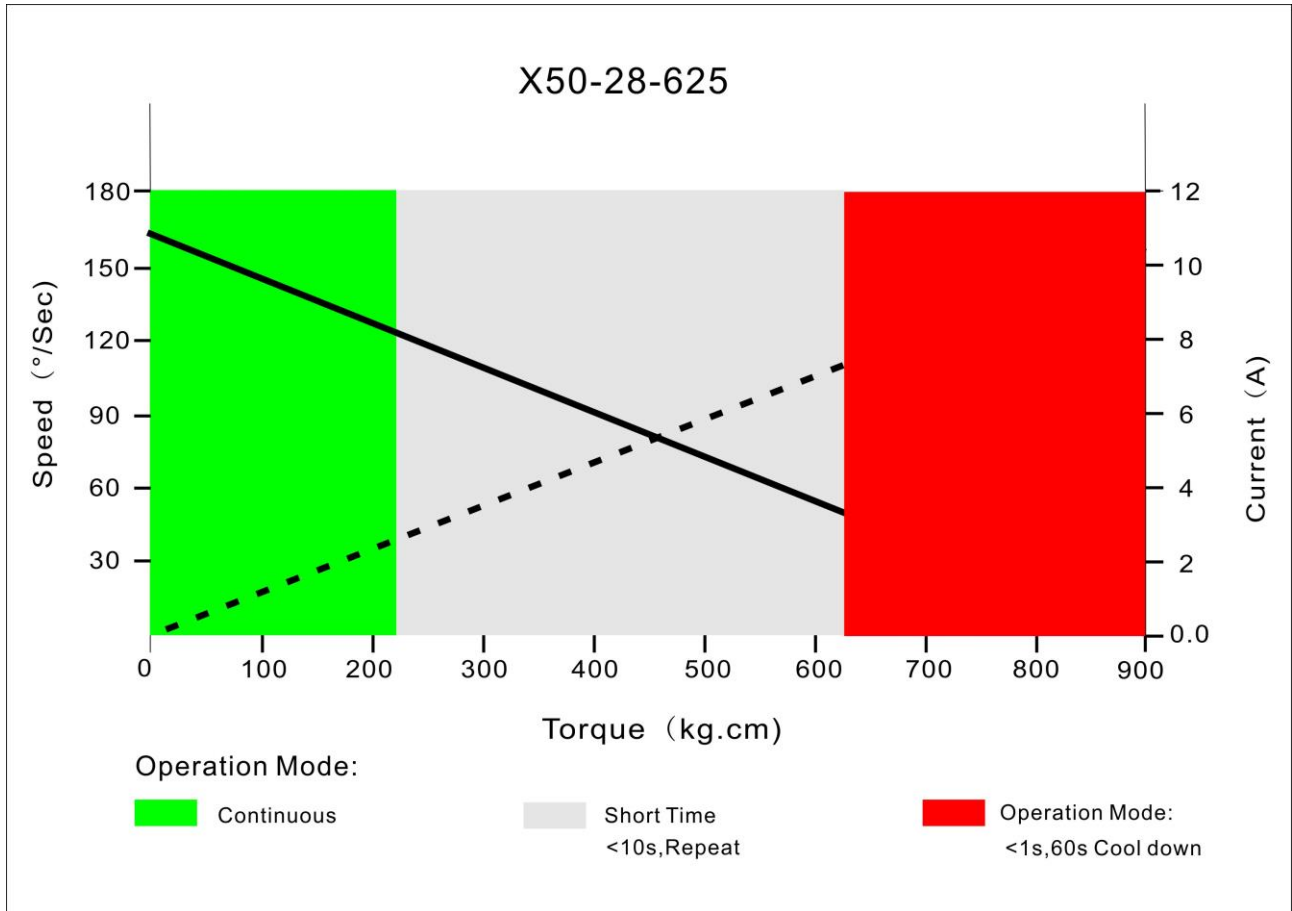




Operating Data

	X50-28-625
Operation Voltage(rated)	DC28V
Operation Voltage Range	DC24V-32V
Torque	625Kg.cm@28V
Speed	0.30sec/60 °@28V
Travel Angle	±45° when 1000-2000us
Operating Temperature Range	-20℃ ……+65℃

Performance @28V





PWM Command Signal

PWM	X50-28-625
Signal Voltage	TTL-Level: HIGH:min.3.3V,max.5.0V TTL-Level: Low:min.0.0V,max.0.5V
Pulse Lengths	900-2100us
Pulse Lengths for Position -45° /center/+45°	1000us/1500us/2000us
Resolution	2us

Materials and protective features

Case Material	Aluminum Alloy 7075
Splash Surface Treatment	
Salt Water Resistance	
EMI/RFI Shielding	
Motor Type	Brushless
Gear Set Material	Steel/ Titanium Option
Position Sensor	Potentionmeter
Position Feedback	Optional
Shielded Connecting Cable	

Dimensions

Case Dimensions	104*48*106mm
Weight	1250g / 1200g

舵臂尺寸图

