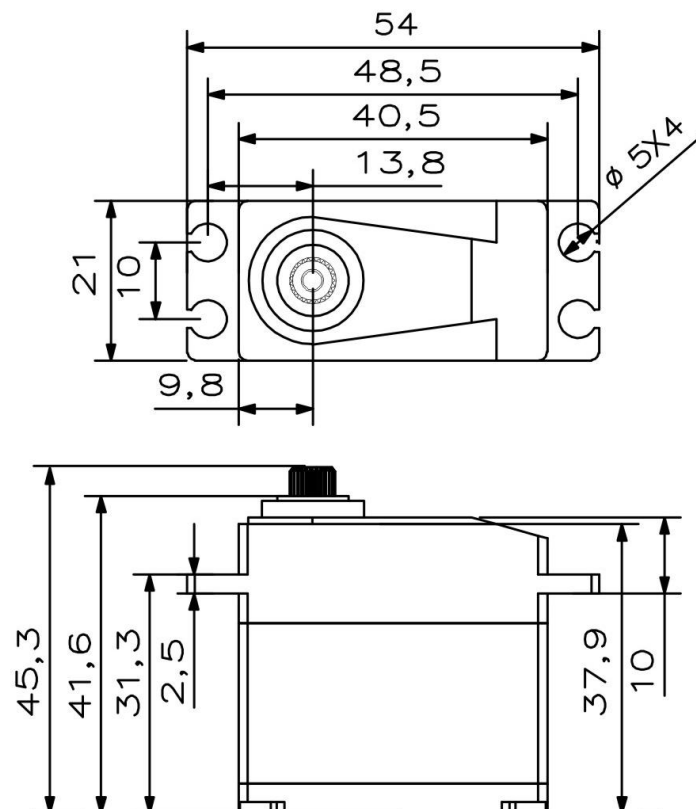
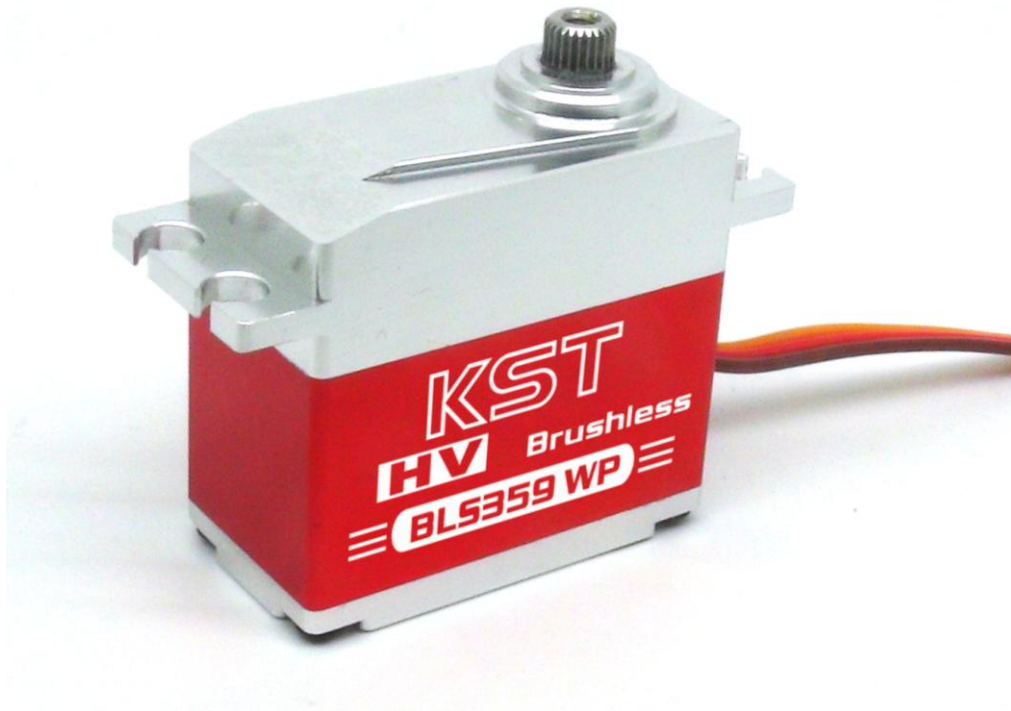


BLS359 WP

Technical Specification



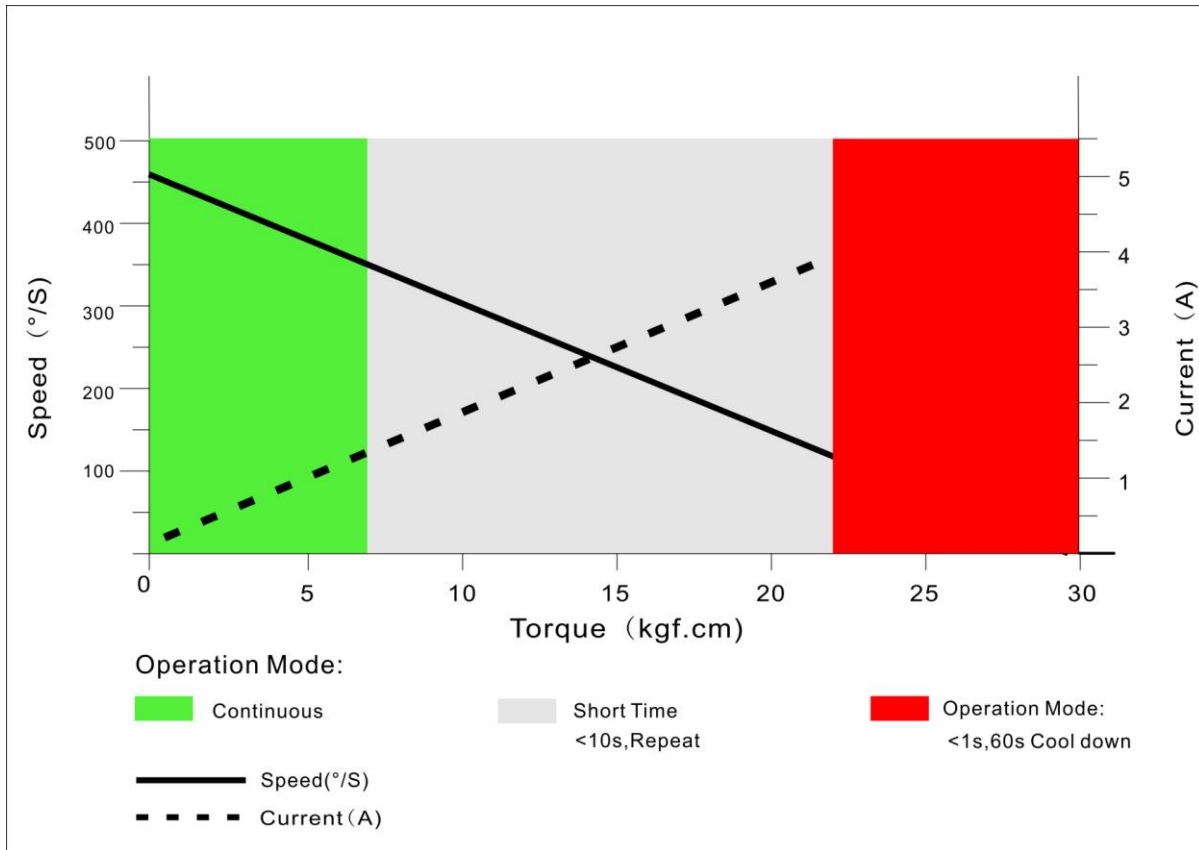
Operating Data

	BLS359 WP
Operation Voltage(rated)	DC7.4V
Operation Voltage Range	DC6V-8.4V
Torque	18kg.cm@6.0V
	22Kg.cm@7.4V
	28kg.cm@8.4V
Speed	0.15sec/60 °@6.0V
	0.13sec/60 °@7.4V
	0.11sec/60 °@8.4V
Travel Angle	±45° when 1000-2000us
Operating Temperature Range	-20℃……+65℃

Performance

BLS359 WP

@7.4V



PWM Command Signal

PWM	BLS359 WP
Signal Voltage	TTL-Level: HIGH:min.3.3V,max.5.0V TTL-Level: Low:min.0.0V,max.0.5V
Pulse Lengths	900-2100us
Pulse Lengths for Position -45° /center/+45°	1000us/1500us/2000us
Resolution	<2us

Materials and protective features

Case Material	Aluminum Alloy
Splash Surface Treatment	
Salt Water Resistance	
EMI/RFI Shielding	
Motor Type	Brushless
Gear Set Material	Steel
Position Sensor	Potionmeter
Position Feedback	Optional
Shielded Connecting Cable	22AWG

Dimensions

Case Dimensions	40.5*21*41.6mm
Weight	84g