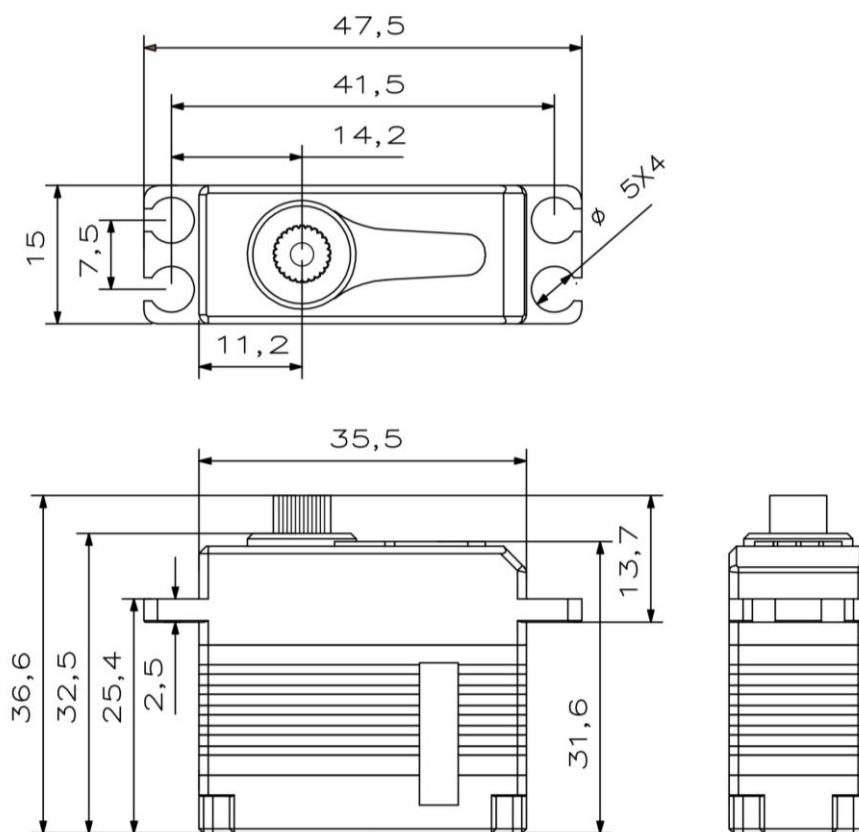




# X15-1208

## Technical Specification





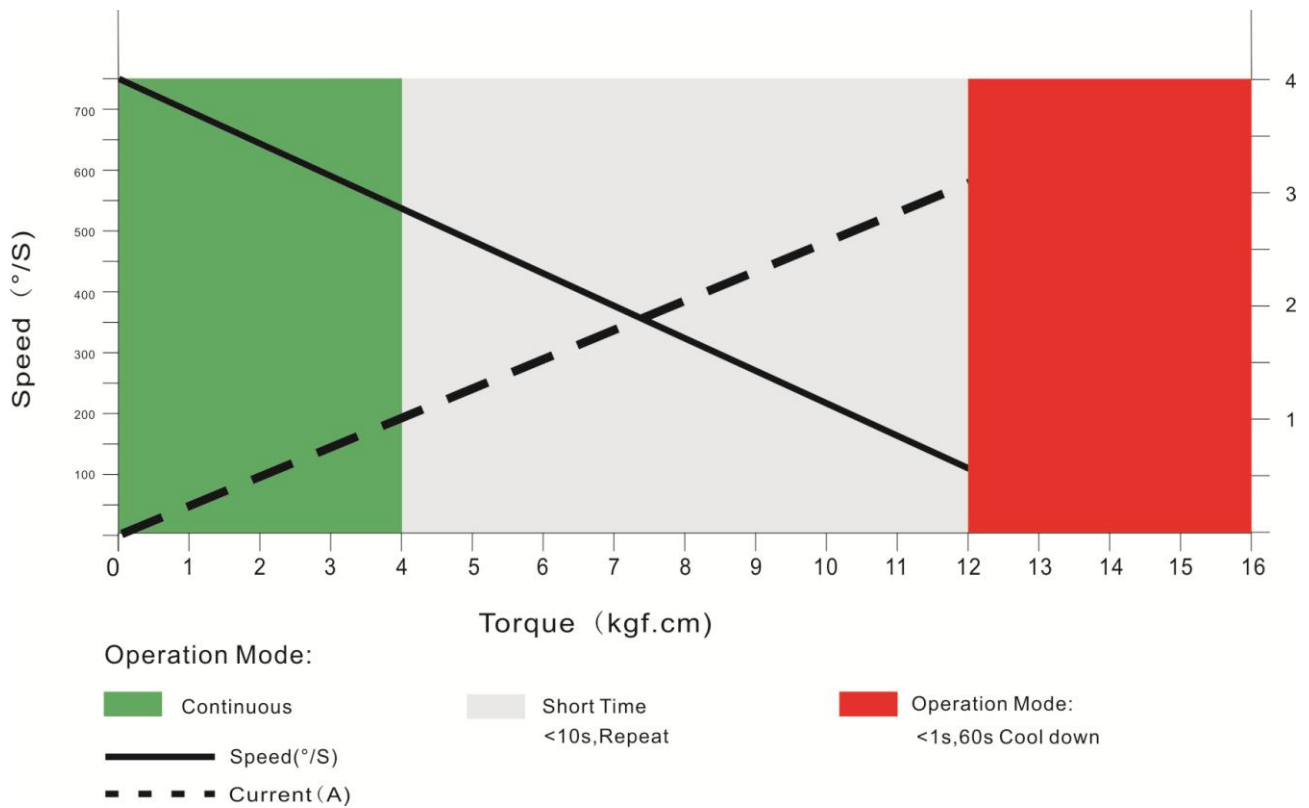
## Operating Data

|                                    | <b>X15-1208</b>        |
|------------------------------------|------------------------|
| <b>Operation Voltage(rated)</b>    | DC7.4V                 |
| <b>Operation Voltage Range</b>     | DC6.0V-8.4V            |
| <b>Torque</b>                      | 9.8Kg.cm@6.0V          |
|                                    | 12Kg.cm@7.4V           |
|                                    | 13.5Kg.cm@8.4V         |
| <b>Speed</b>                       | 0.10sec/60 °@6.0V      |
|                                    | 0.08sec/60 °@7.4V      |
|                                    | 0.07sec/60 °@8.4V      |
| <b>Travel Angle</b>                | ± 50° when 1000-2000us |
| <b>Operating Temperature Range</b> | -20℃……+65℃             |

## Performance

**X15-1208**

**@7.4V**



# PWM Command Signal

| PWM   | X15-1208  |
|---|---|
| Signal Voltage  | TTL-Level: HIGH:min.3.3V,max.5.0V<br>TTL-Level: Low:min.0.0V,max.1.5V |
| Pulse Lengths   | 900-2100us  |
| Pulse Lengths for Position $-50^{\circ}$ /center/ $+50^{\circ}$ | 1000us/1500us/2000us  |
| Resolution  | <2us  |

## Materials and protective features

|                           |                |
|---------------------------|----------------|
| Case Material             | Aluminum Alloy |
| Salt Water Resistance     |                |
| EMI/RFI Shielding         |                |
| Motor Type                | Coreless       |
| Gear Set Material         | Hardened Steel |
| Position Sensor           | Potionmeter    |
| Position Feedback         | Optional       |
| Shielded Connecting Cable | 26AWG          |
|                           |                |

## Dimensions

|                 |                |
|-----------------|----------------|
| Case Dimensions | 35.5*15*32.5mm |
| Weight          | 40g            |