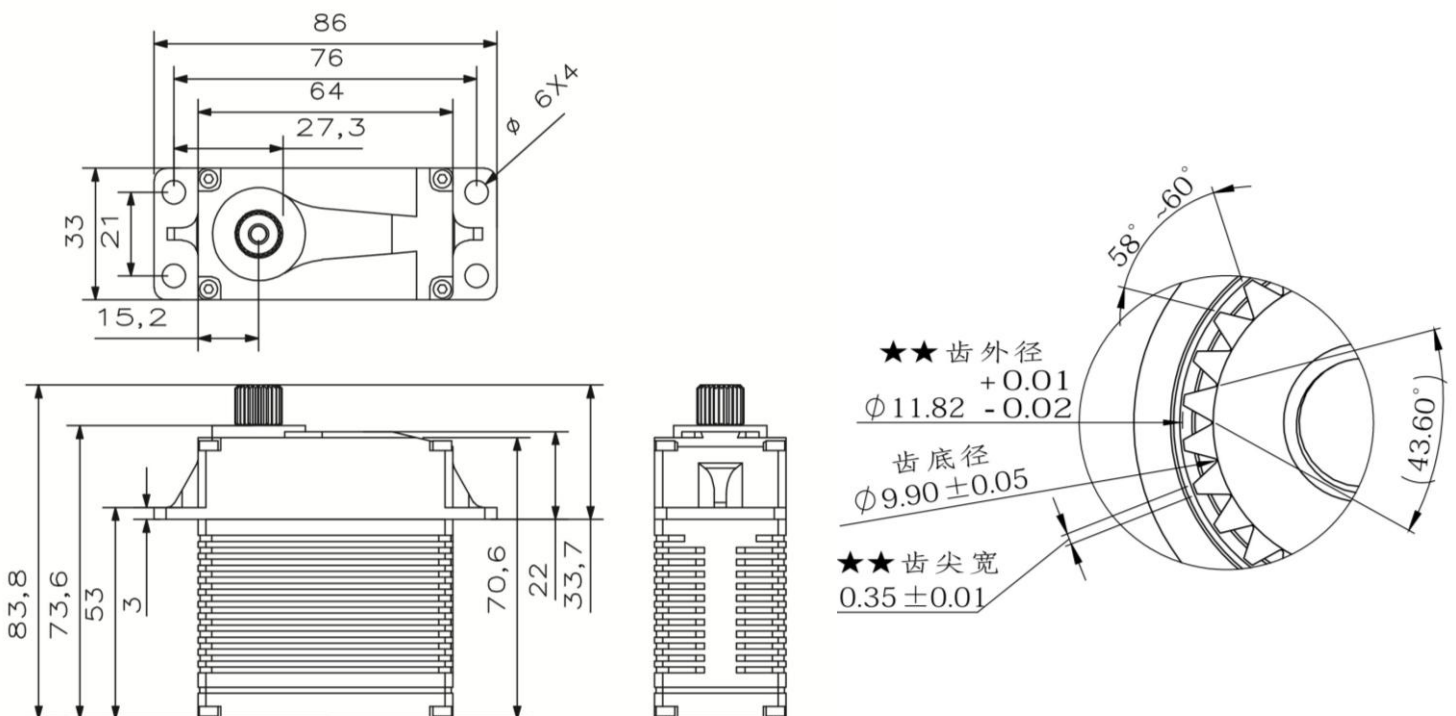
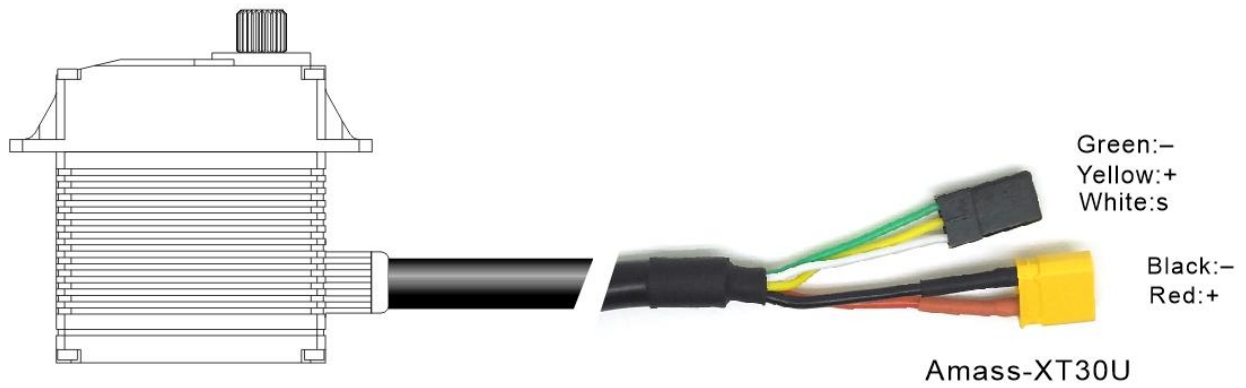


X30-28-120

Technical Specification





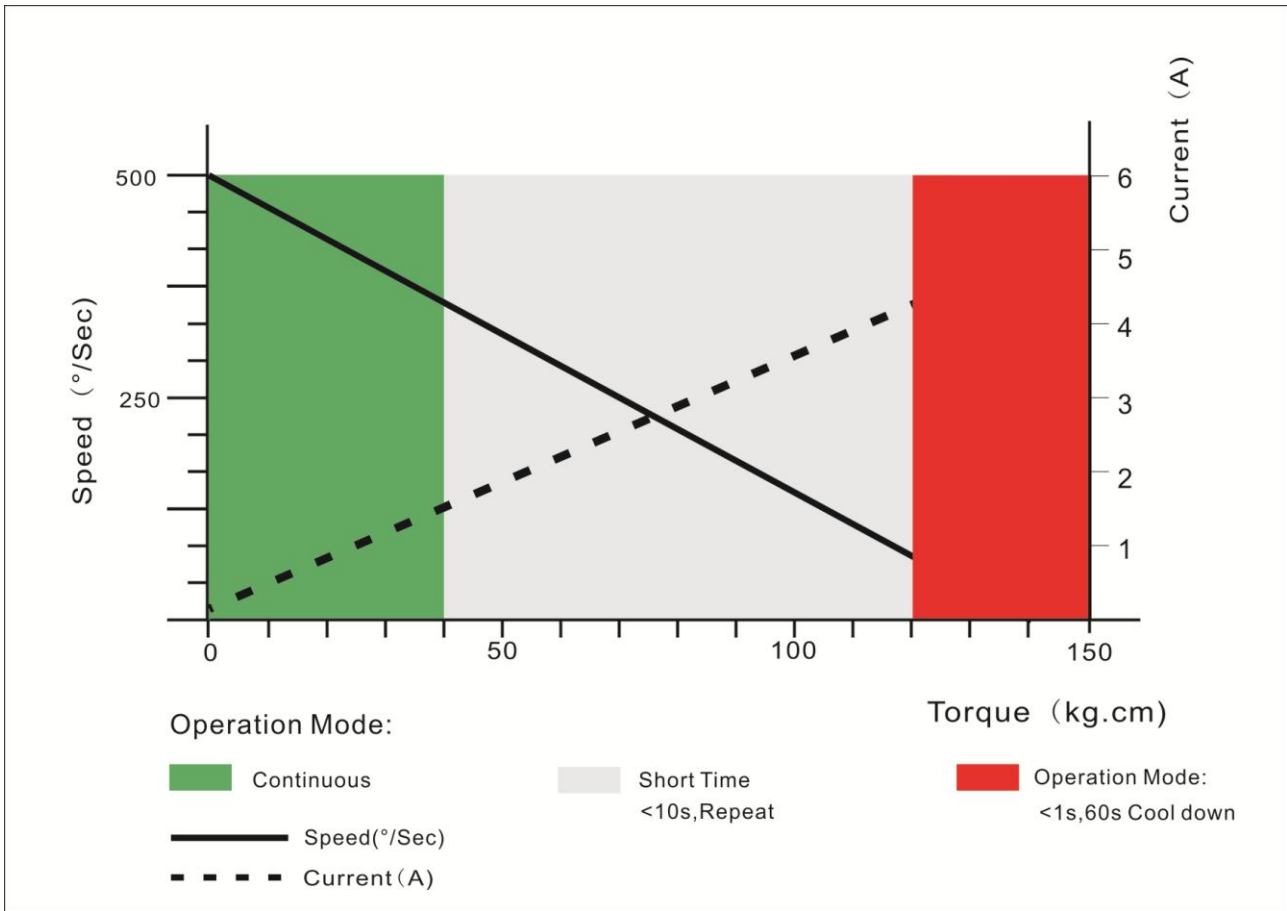
Operating Data

	X30-28-120
Operation Voltage(rated)	DC28V
Operation Voltage Range	DC24-32V
Torque	
	120kg.cm@28V
Speed	
	0.12sec/60 °@12V
Travel Angle	± 50° when 1000-2000us
Operating Temperature Range	-20℃……+65℃

Performance

X30-28-120

@12V



PWM Command Signal

PWM	X30-28-120
Signal Voltage	TTL-Level: HIGH:min.3.3V,max.5.0V TTL-Level: Low:min.0.0V,max.0.5V
Pulse Lengths	900-2100us
Pulse Lengths for Position -50° /center/+50°	1000us/1500us/2000us
Resolution	<2us

Materials and protective features

Case Material	Aluminum Alloy
Splash Surface Treatment	
Salt Water Resistance	
EMI/RFI Shielding	
Motor Type	Brushless
Gear Set Material	Steel
Position Sensor	Potentionmeter
Position Feedback	Optional
Shielded Connecting Cable	

Dimensions

Case Dimensions	64*33*74mm
Weight	360g

舵臂尺寸图

