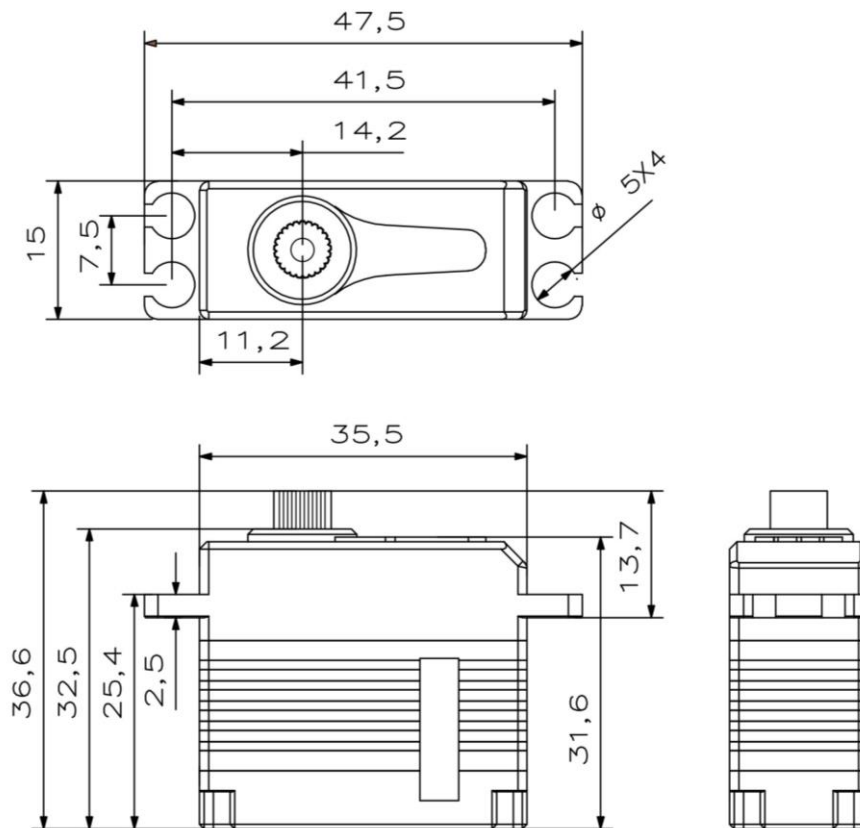


X15-755X

Technical Specification



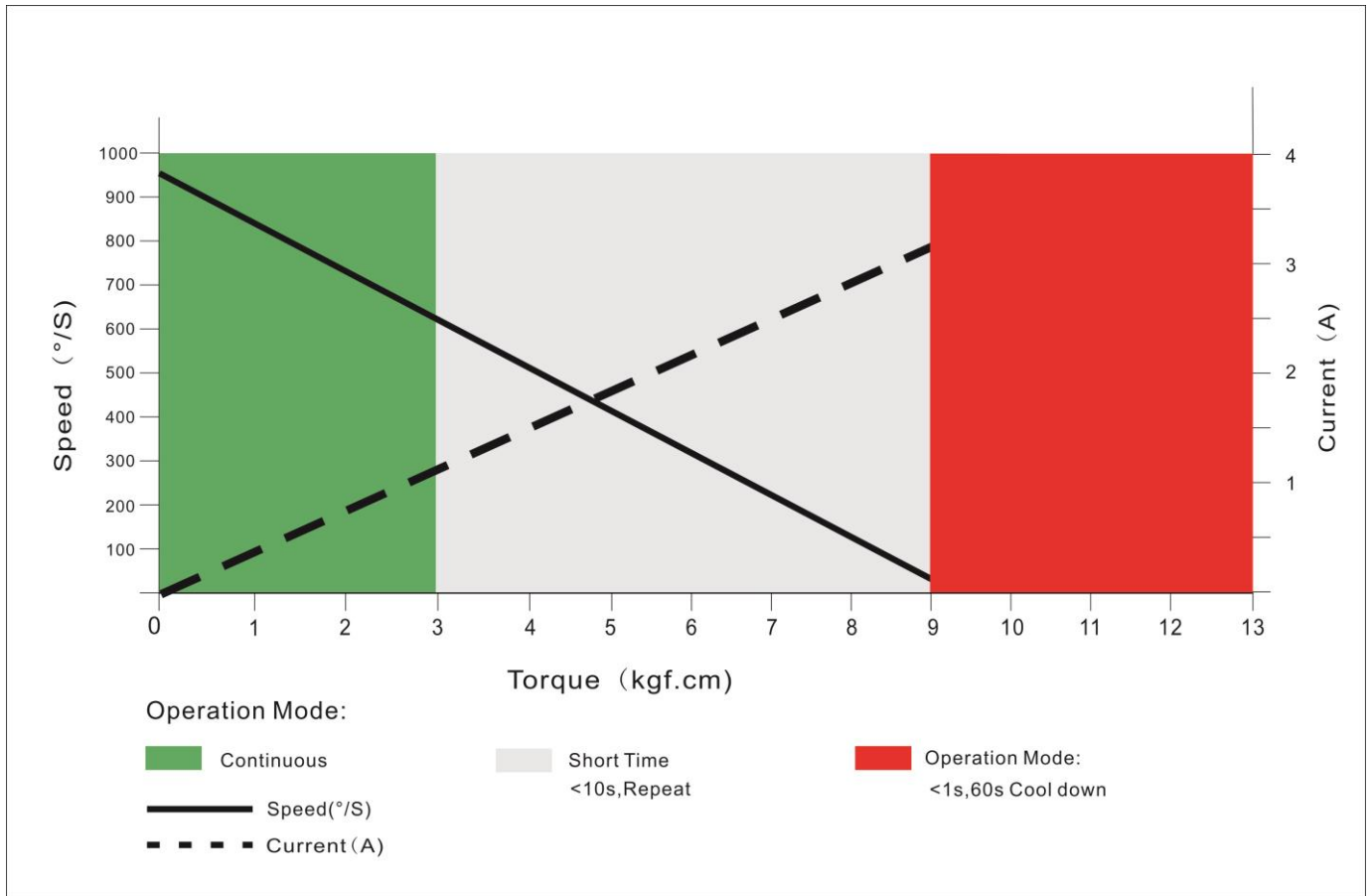
Operating Data

	X15-755X
Operation Voltage(rated)	DC7.4V
Operation Voltage Range	DC6.0V-8.4V
Stalling Torque	7.2Kg.cm@6.0V
	9.0Kg.cm@7.4V
	10.2Kg.cm@8.4V
Speed	0.06sec/60 °@6.0V
	0.05sec/60 °@7.4V
	0.04sec/60 °@8.4V
Travel Angle	± 50° when 1000-2000us
Operating Temperature Range	-20℃ ……+65℃

Performance

X15-755X

@7.4V



PWM Command Signal

PWM	X15-755X
Pulse Lengths	450-1050us
Working Frequency	760us/560Hz
Resolution	<2us

Materials and protective features

Case Material	Aluminum Alloy
Salt Water Resistance	
EMI/RFI Shielding	
Motor Type	Coreless
Gear Set Material	Hardened Steel
Position Sensor	Potentionmeter
Position Feedback	Optional
Shielded Connecting Cable	26AWG

Dimensions

Case Dimensions	35.5*15*32.5mm
Weight	40g