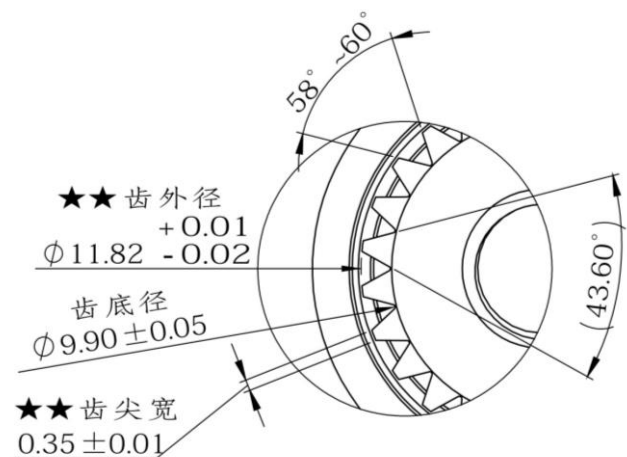
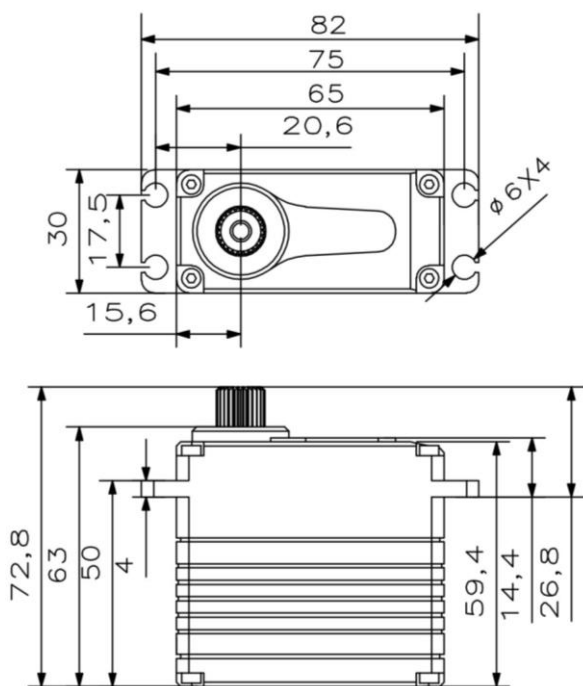


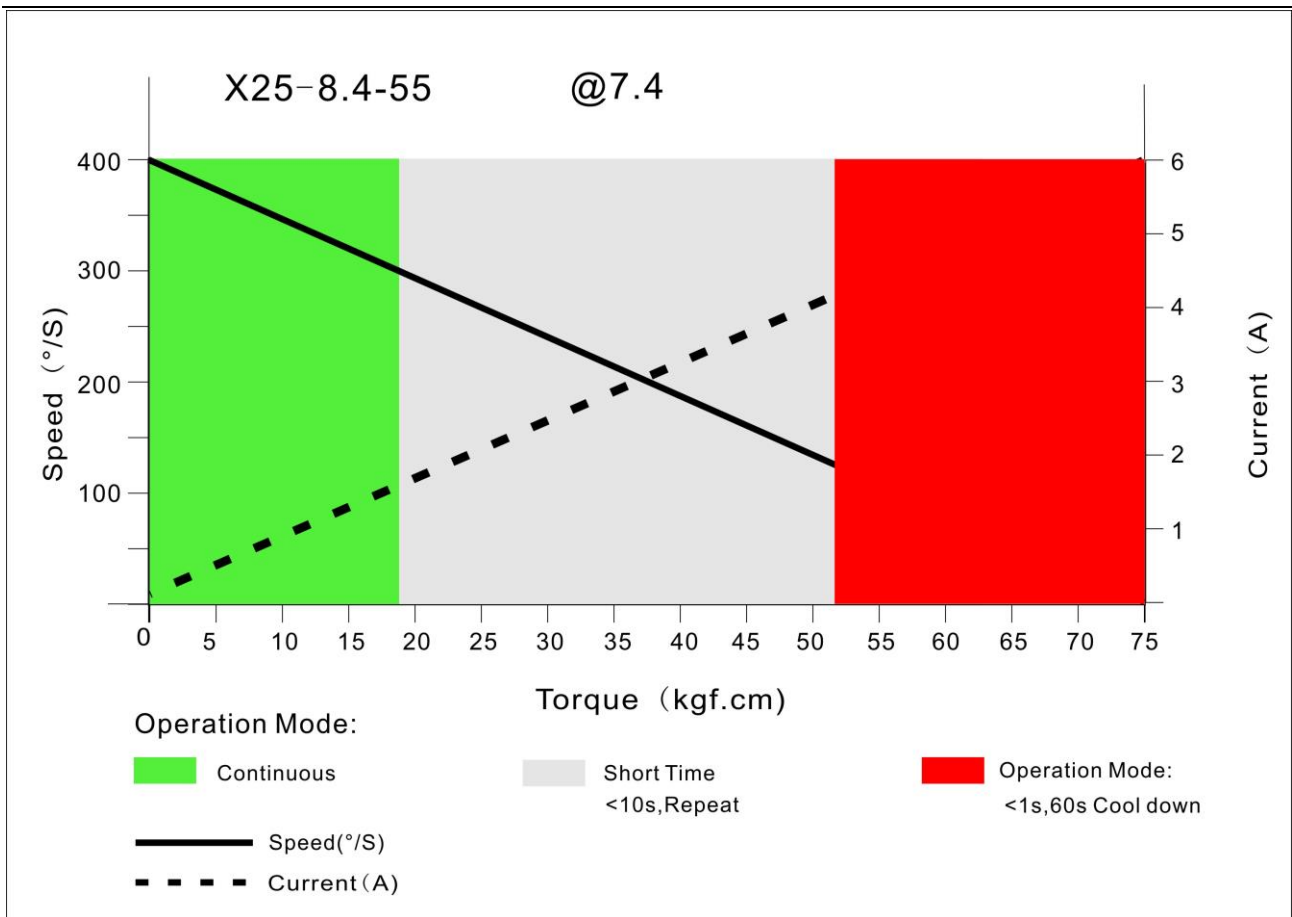
X25-8.4-55

Technical Specification



Operating Data

	X25-8.4-55
Operation Voltage(rated)	DC7.4V
Operation Voltage Range	DC6.0-8.4V
Torque	48Kg.cm@6.0V
	52Kg.cm@7.4V
	55kg.cm@8.4V
Speed	0.18sec/60 °@6.0V
	0.15sec/60 °@7.4V
	0.12sec/60 °@8.4V
Travel Angle	± 50° when 1000-2000us
Operating Temperature Range	-20℃ ……+65℃



PWM Command Signal

PWM	X25-8.4-55
Signal Voltage	TTL-Level: HIGH:min.3.3V,max.5.0V TTL-Level: Low:min.0.0V,max.0.5V
Pulse Lengths	900-2100us
Pulse Lengths for Position -50° /center/+50°	1000us/1500us/2000us
Resolution	<2us

Materials and protective features

Case Material	Aluminum Alloy 7075
Splash Surface Treatment	
Salt Water Resistance	
EMI/RFI Shielding	
Motor Type	Coreless
Gear Set Material	Hardened Steel
Position Sensor	Potentionmeter
Position Feedback	Optional
Shielded Connecting Cable	

Dimensions

Case Dimensions	65*30*63mm
Weight	270g

舵臂尺寸图

