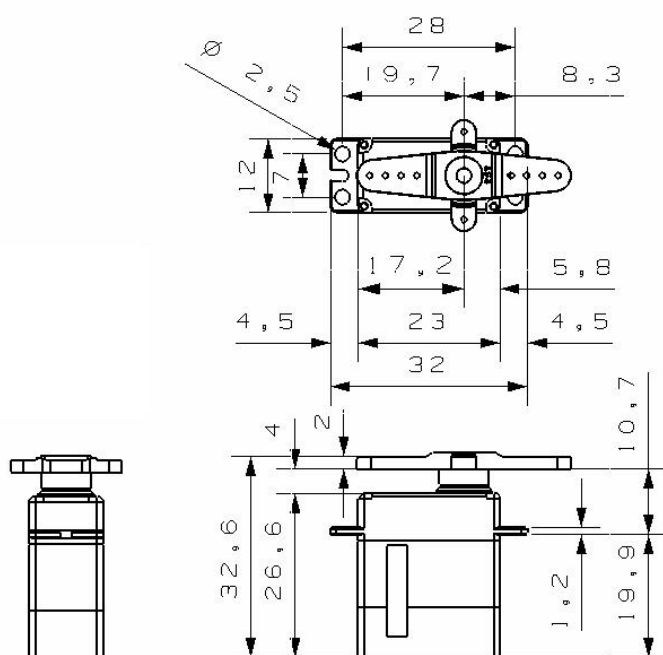




# MS320

## Technical Specification





## Operating Date

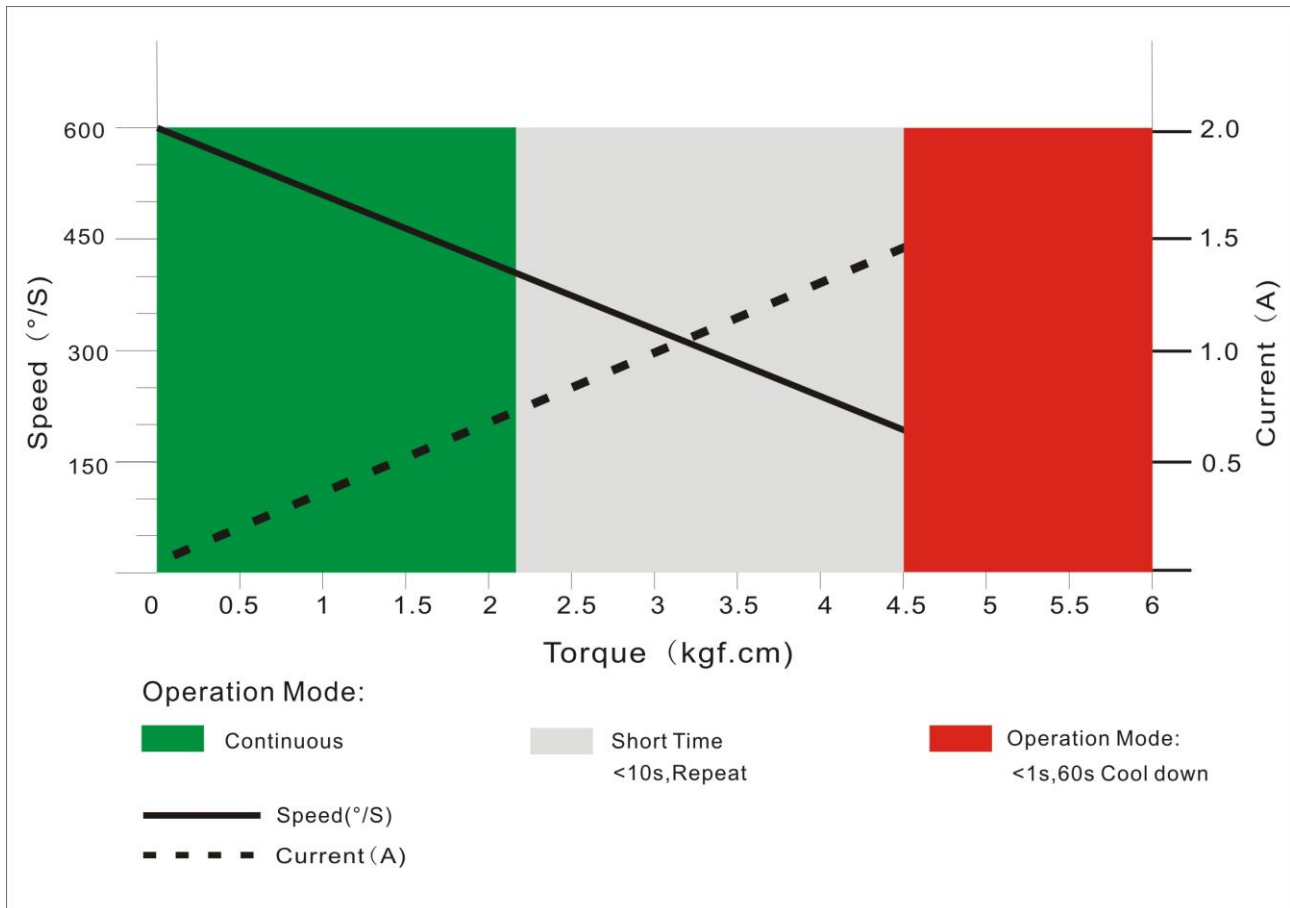
	MS320
Operation Voltage (rated)	DC7.4V
Operation Voltage Range	DC4.8V-8.4V
Torque	4.50Kg.cm@6.0V
	5.50Kg.cm@7.4V
Speed	0.09sec/60° @6.0V
	0.08sec/60° @7.4V
Travel Angle	±100° when 500-2500us ±50° when 1000-2000us
Operating Temperature Range	-20°C .....+65°C



# Performance

MS320

@6V





## PWM Command Signal

PWM	MS320
Signal Voltage	TTL-Level: HIGH:min. 3.3V, max. 5.0V TTL-Level: Low:min. 0.0V, max. 1.5V
Pulse Lengths	500-2500us
Pulse Lengths for Position -100° /center/+100°	500us/1500us/2500us
Resolution	<2us

### Materials and protective features

Case Material	Aluminum Alloy
Splash Surface Treatment	
Salt Water Resistance	
EMI/RFI Shielding	
Motor Type	Coreless
Gear Set Material	Hardened Steel
Position Sensor	Contactless
Position Feedback	Optional
Shielded Connecting Cable	26AWG

### Dimensions

Case Dimensions	23*12*27.5mm
Weight	21g