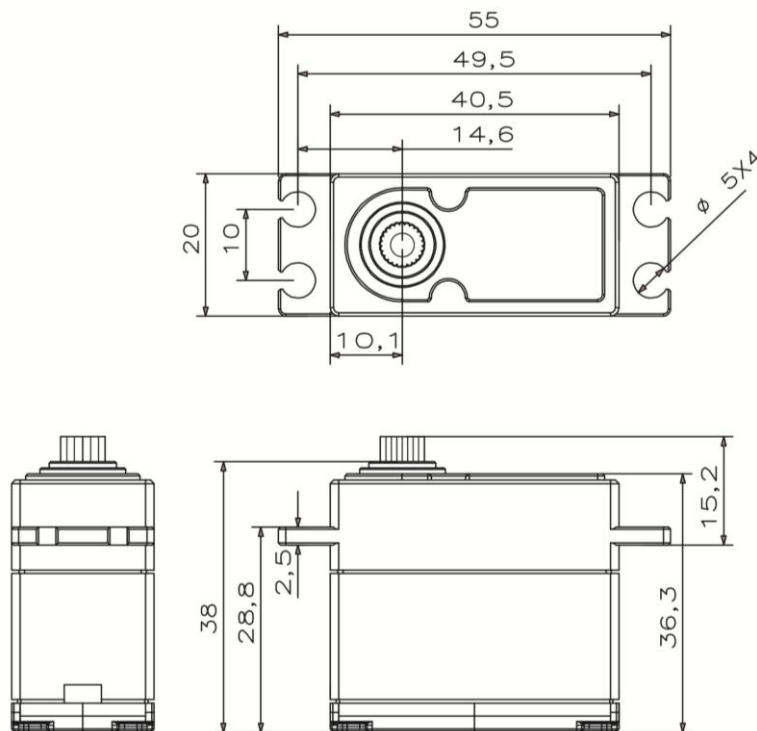


BLS915

Technical Specification



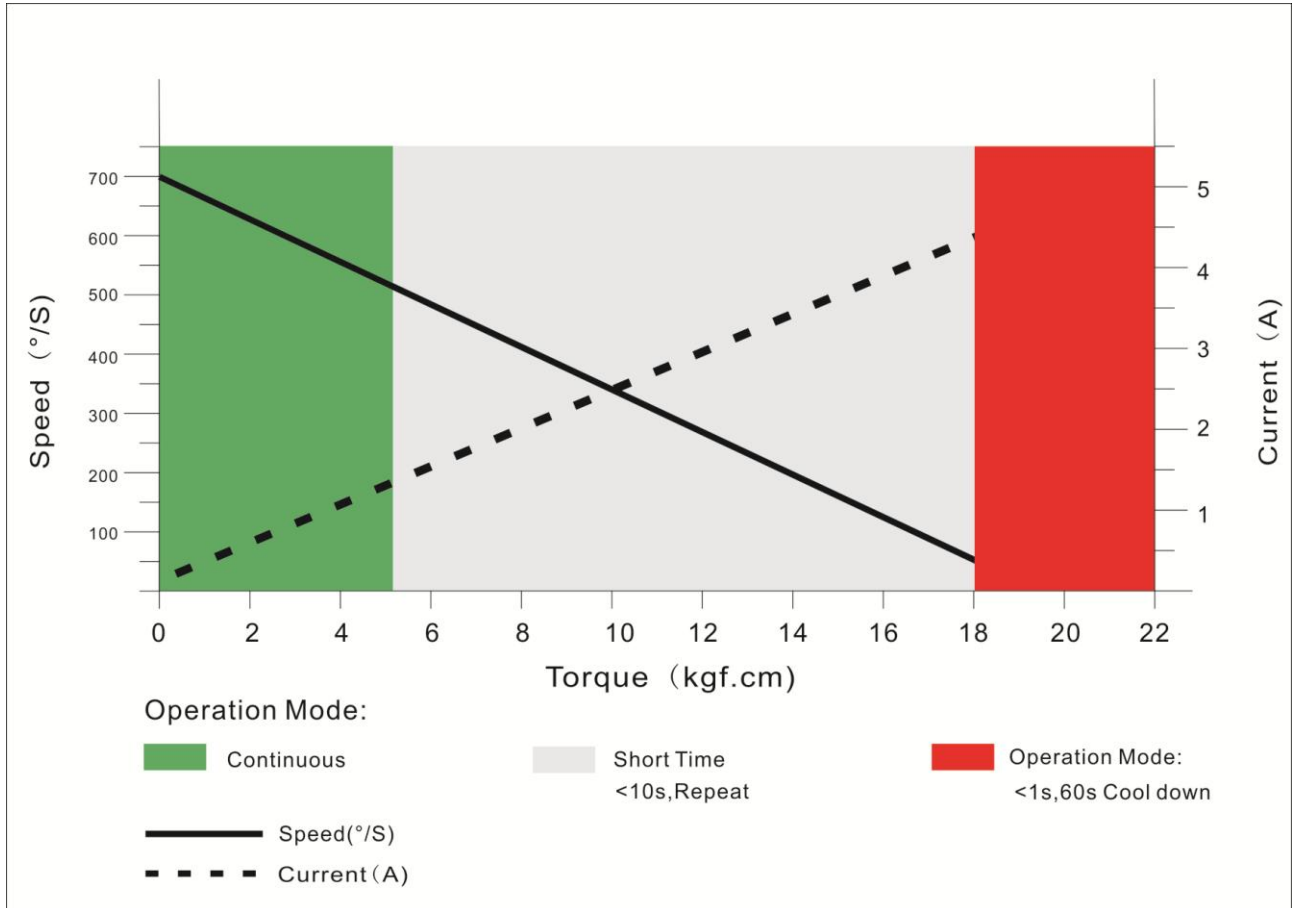
Operating Data

	BLS915
Operation Voltage(rated)	DC7.4V
Operation Voltage Range	DC6V-8.4V
Torque	16kg.cm@6.0V
	18Kg.cm@7.4V
	21Kg.cm@8.4V
Speed	0.08sec/60 °@6.0V
	0.075sec/60 °@7.4V
	0.069sec/60 °@8.4V
Travel Angle	±45° when 1000-2000us
Operating Temperature Range	-10℃……+65℃

Performance

BLS915

@7.4V



PWM Command Signal

PWM	BLS915
Signal Voltage	TTL-Level: HIGH:min.3.3V,max.5.0V TTL-Level: Low:min.0.0V,max.0.5V
Pulse Lengths	900-2100us
Pulse Lengths for Position -45° /center/ $+45^{\circ}$	1000us/1500us/2000us
Resolution	<2us

Materials and protective features

Case Material	Aluminum Alloy
Splash Surface Treatment	
Salt Water Resistance	
EMI/RFI Shielding	
Motor Type	Brushless
Gear Set Material	Aluminum
Position Sensor	Potionmeter
Position Feedback	Optional
Shielded Connecting Cable	22AWG

Dimensions

Case Dimensions	40.5*20*38mm
Weight	70g