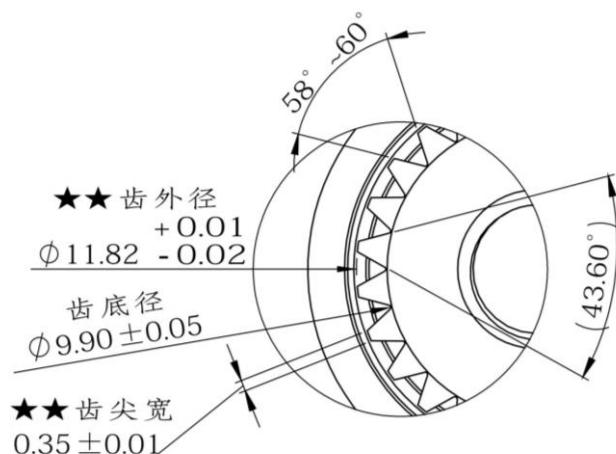
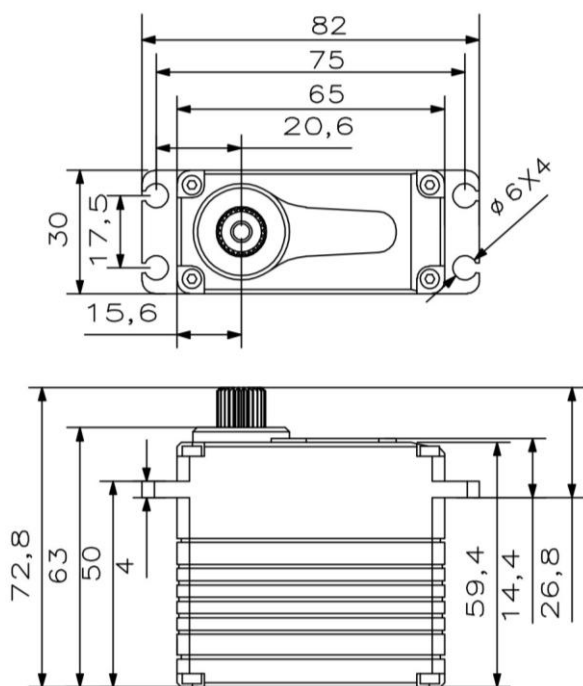




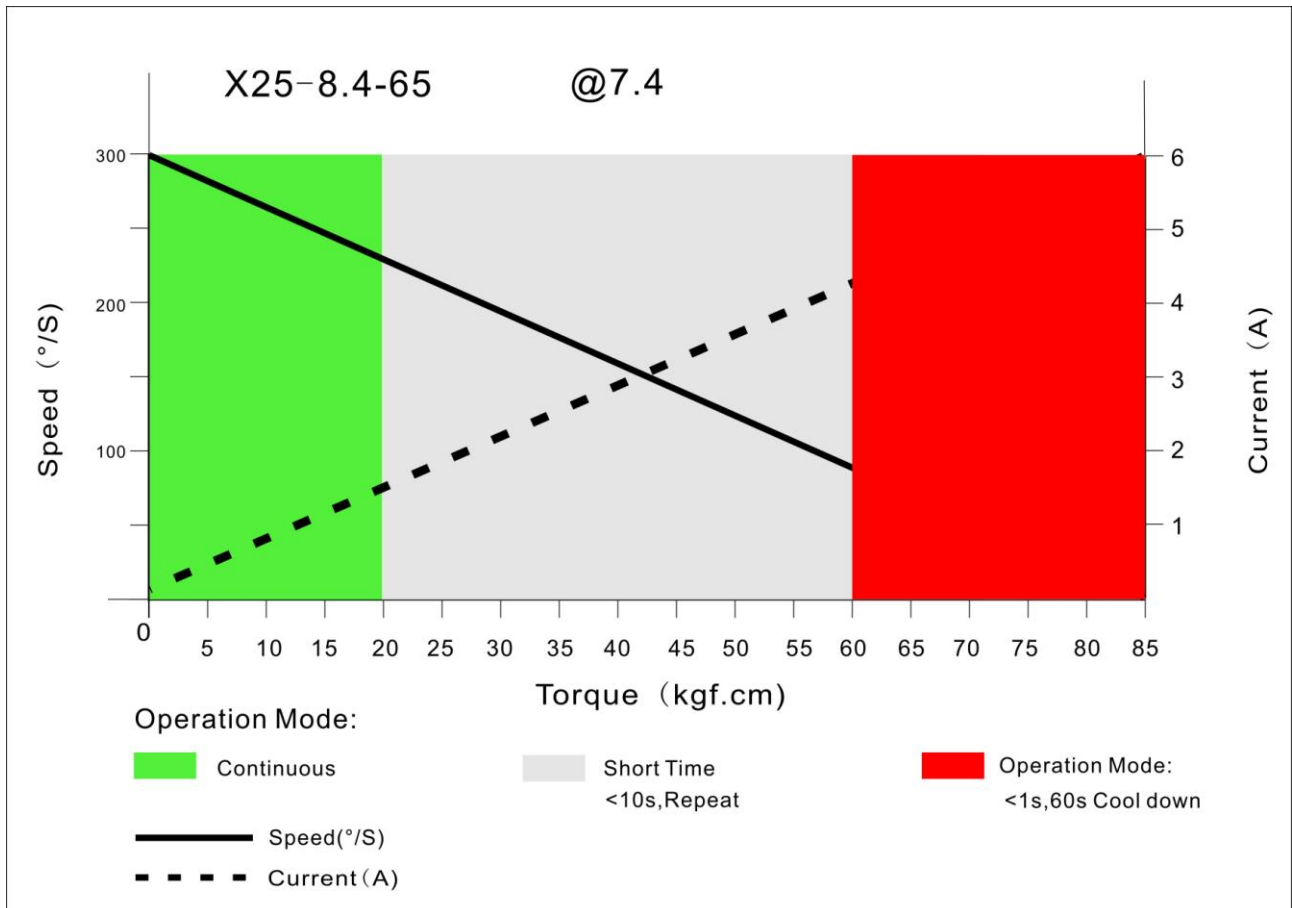
X25-8.4-65

Technical Specification



Operating Data

	X25-8.4-65
Operation Voltage(rated)	DC7.4V
Operation Voltage Range	DC6.0-8.4V
Torque	55Kg.cm@6.0V
	60Kg.cm@7.4V
	65kg.cm@8.4V
Speed	0.24sec/60°@6.0V
	0.20sec/60°@7.4V
	0.18sec/60°@8.4V
Travel Angle	±50° when 1000-2000us
Operating Temperature Range	-10℃……+55℃
	-40℃……+65℃ (optional)





PWM Command Signal

PWM	X25-8.4-65
Signal Voltage	TTL-Level: HIGH:min.3.3V,max.5.0V TTL-Level: Low:min.0.0V,max.0.5V
Pulse Lengths	900-2100us
Pulse Lengths for Position -50° /center/ $+50^{\circ}$	1000us/1500us/2000us
Resolution	<2us

Materials and protective features

Case Material	Aluminum Alloy 7075
Splash Surface Treatment	
Salt Water Resistance	
EMI/RFI Shielding	
Motor Type	Coreless
Gear Set Material	Haedened Steel
Position Sensor	Potionmeter
Position Feedback	Optional
Shielded Connecting Cable	

Dimensions

Case Dimensions	65*30*63mm
Weight	270g

舵臂尺寸图

