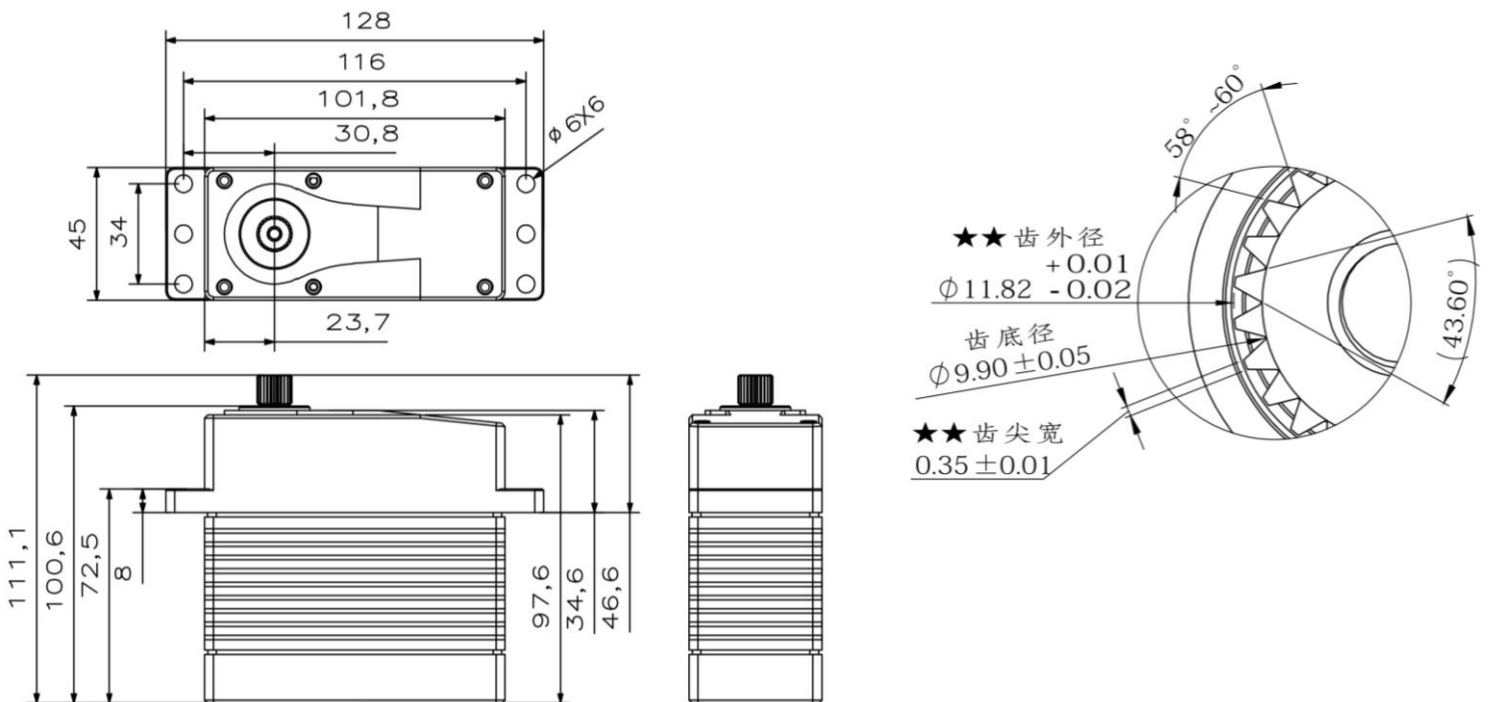
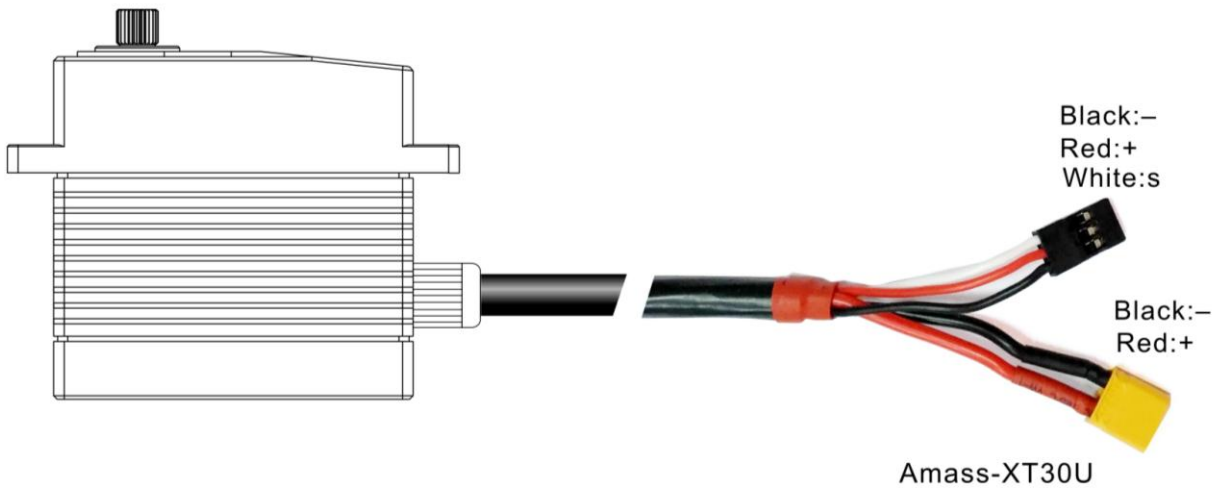


X50-28-350

Technical Specification



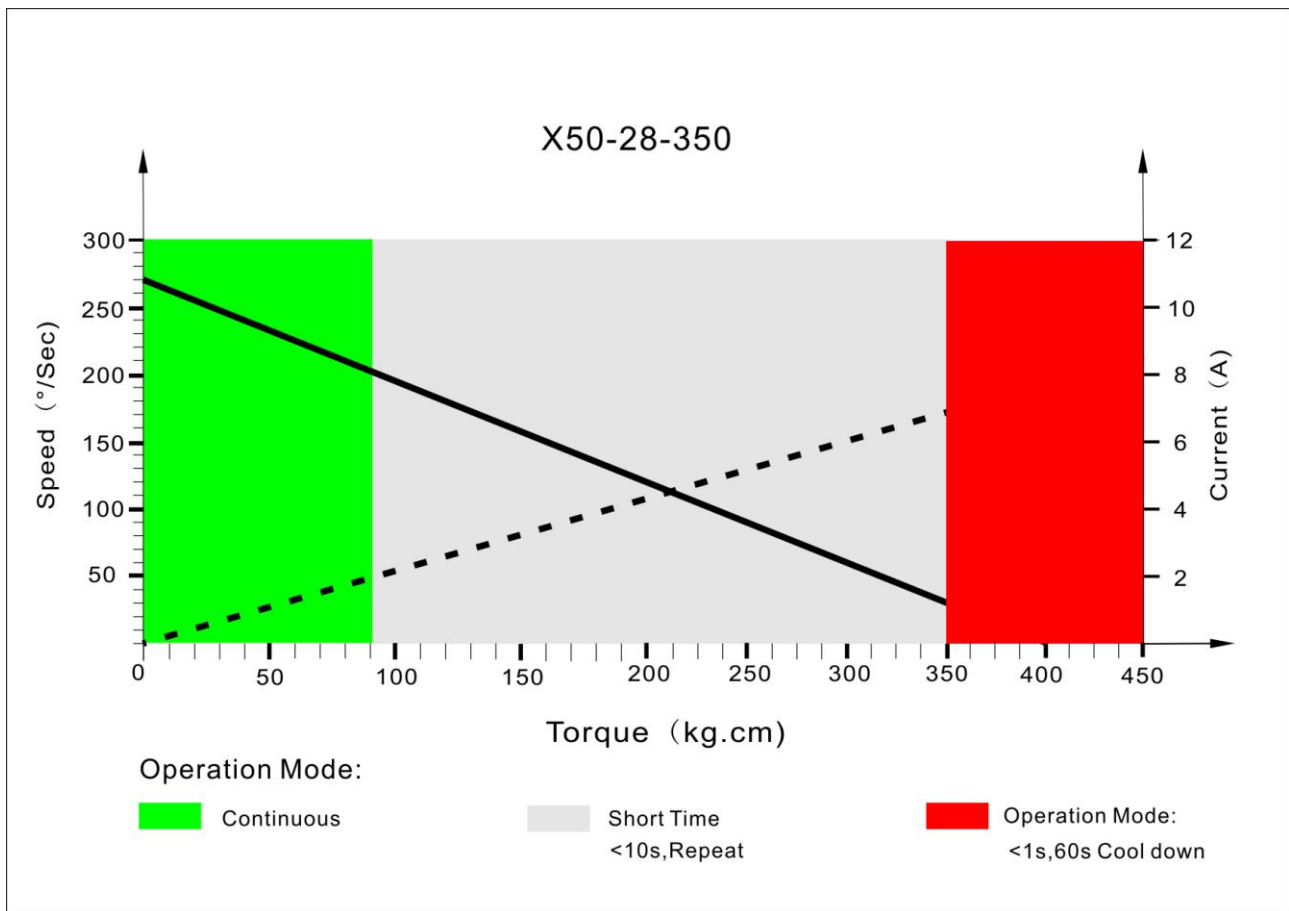


Operating Data

	X50-28-350
Operation Voltage(rated)	DC28V
Operation Voltage Range	DC24V-32V
Torque	350Kg.cm@28V
Speed	0.22sec/60 °@28V
Travel Angle	± 50° when 1000-2000us
Operating Temperature Range	-10°C+55°C
	-40°C+65°C (optional)

Performance

@28V



PWM Command Signal

PWM	X50-28-350
Signal Voltage	TTL-Level: HIGH:min.3.3V,max.5.0V TTL-Level: Low:min.0.0V,max.0.5V
Pulse Lengths	900-2100us
Pulse Lengths for Position -50° /center/ $+50^{\circ}$	1000us/1500us/2000us
Resolution	2us

Materials and protective features

Case Material	Aluminum Alloy 7075
Splash Surface Treatment	
Salt Water Resistance	IP67
EMI/RFI Shielding	
Motor Type	Brushless
Gear Set Material	Titanium/Hardened Steel
Position Sensor	Potentionmeter
Position Feedback	Optional
Shielded Connecting Cable	

Dimensions

Case Dimensions	101.80*45*100.6mm
Weight	826g

Aluminum Horn 25T-12-60

