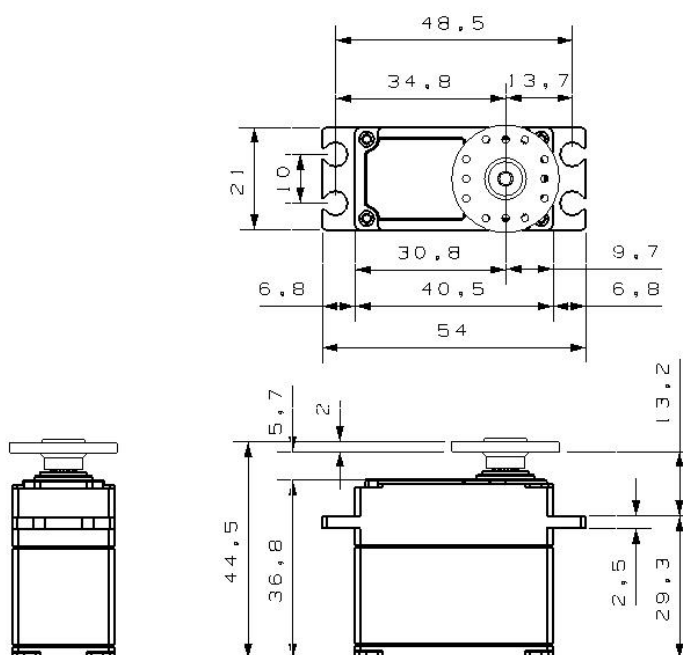




MS3509

Technical Specification



Operating Data

	MS3509
Operation Voltage(rated)	DC7.4V
Operation Voltage Range	DC6.0V-8.4V
Torque	28Kg.cm@6.0V
	32Kg.cm@7.4V
Speed	0.15sec/60 °@6.0V
	0.14ec/60 °@7.4V
Travel Angle	± 100° when 500-2500us ± 50° when 1000-2000us
Operating Temperature Range	-20°C ……+65°C

PWM Command Signal

PWM	MS3509
Signal Voltage	TTL-Level: HIGH:min.3.3V,max.5.0V TTL-Level: Low:min.0.0V,max.1.5V
Pulse Lengths	500-2500us
Pulse Lengths for Position -100° /center/ $+100^{\circ}$	500us/1500us/2500us
Resolution	<2us

Materials and protective features

Case Material	Aluminum Alloy
Splash Surface Treatment	
Salt Water Resistance	
EMI/RFI Shielding	
Motor Type	Coreless
Gear Set Material	Steel
Position Sensor	Contactless
Position Feedback	Optional
Shielded Connecting Cable	

Dimensions

Case Dimensions	40.50*21*38.50mm
Weight	78g