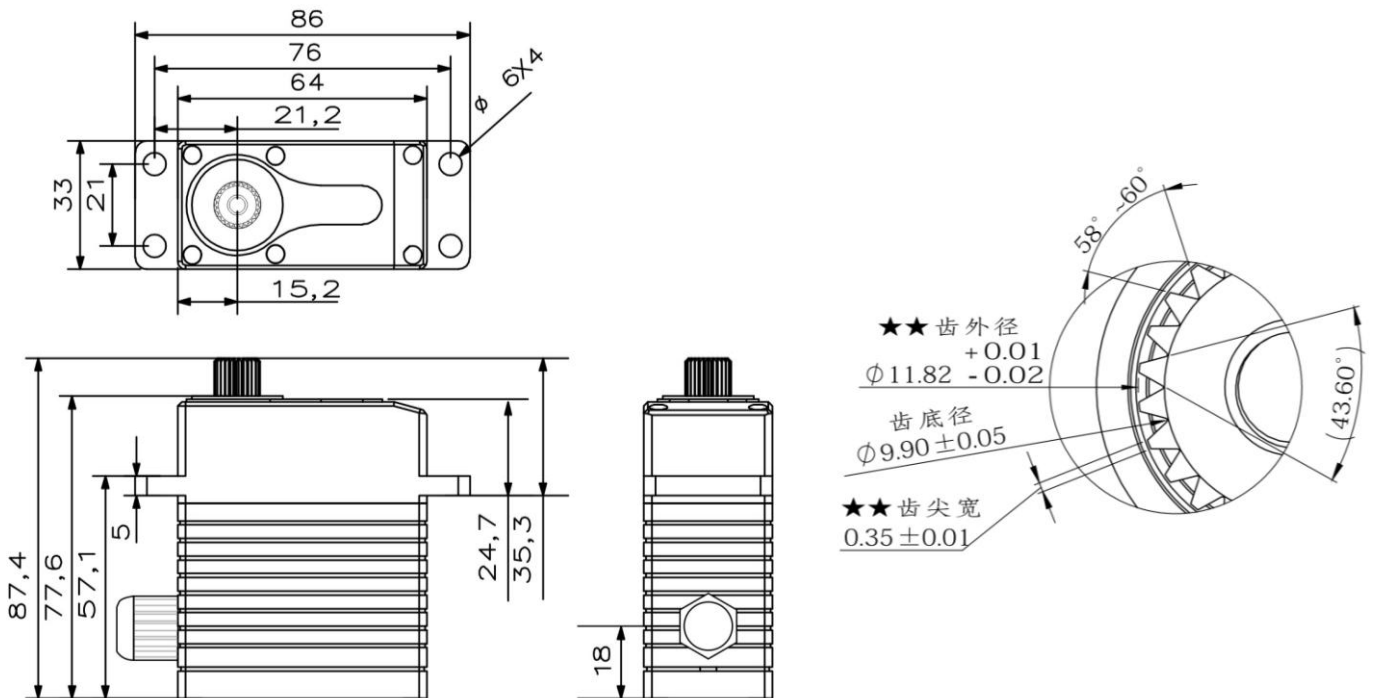
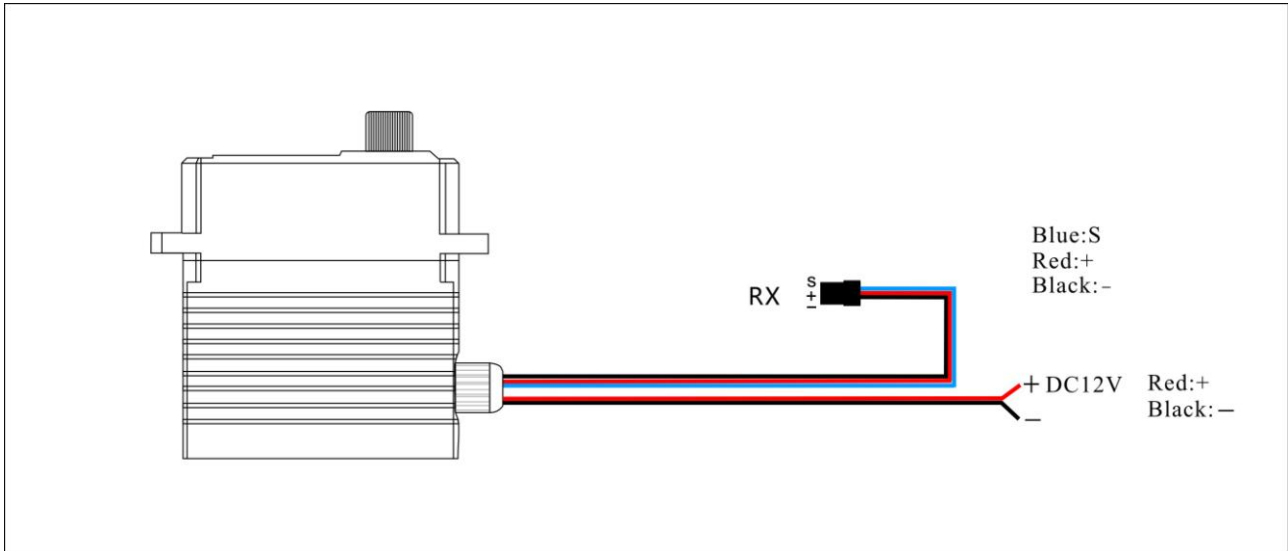


X30-12-165

Technical Specification





Operating Data

	X30-12-165
Operation Voltage(rated)	DC12V
Operation Voltage Range	DC8.4-12V
Torque	115Kg.cm@8.4V
	165kg.cm@12V
Speed	0.20sec/60 °@8.4V
	0.16sec/60 °@12V
Travel Angle	±45° when 1000-2000us
Operating Temperature Range	-20°C……+65°C

PWM Command Signal

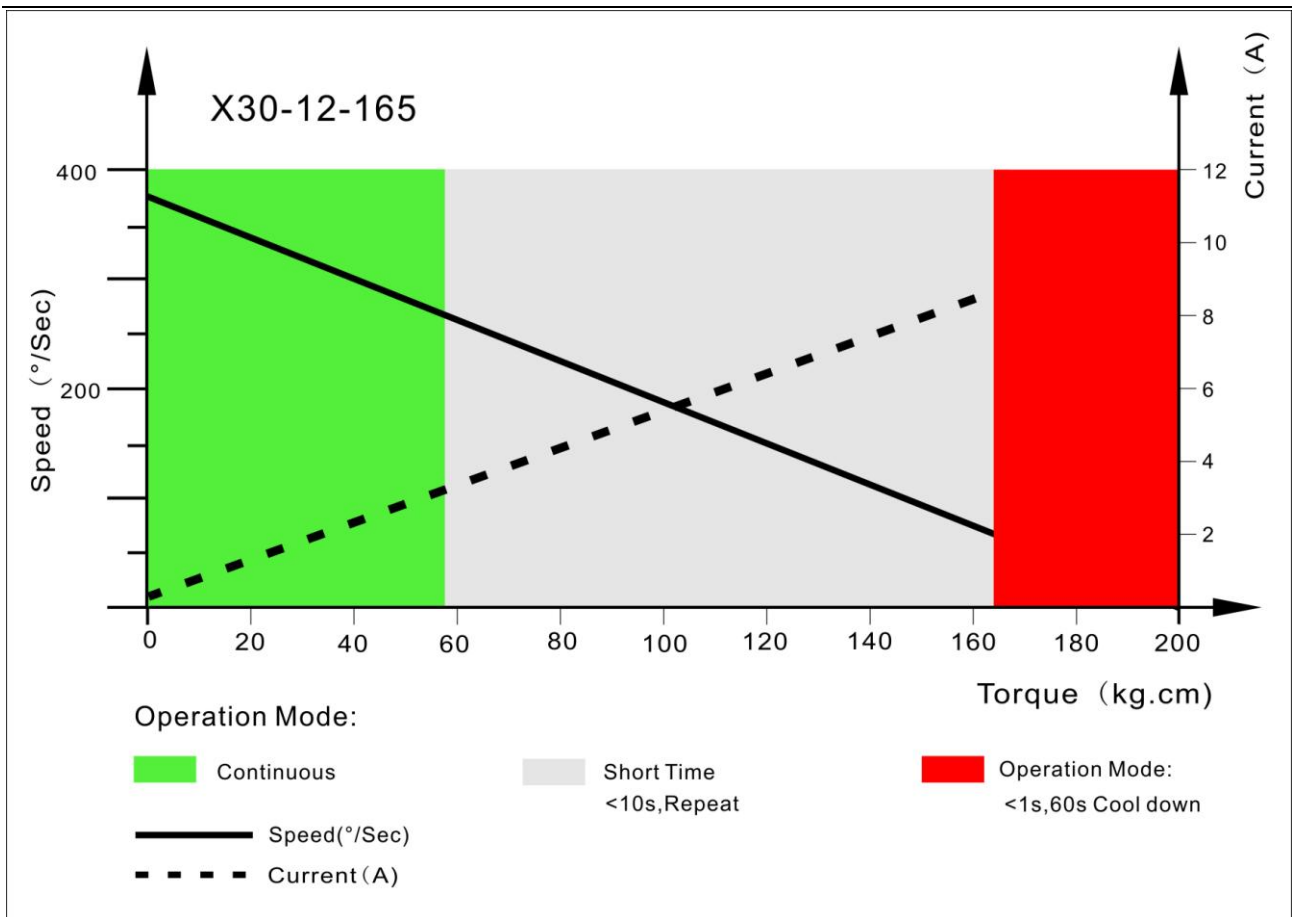
PWM	X30-12-165
Signal Voltage	TTL-Level: HIGH:min.3.3V,max.5.0V TTL-Level: Low:min.0.0V,max.0.5V
Pulse Lengths	900-2100us
Pulse Lengths for Position -45° /center/+45°	1000us/1500us/2000us
Resolution	<2us

Materials and protective features

Case Material	Aluminum Alloy 7075
Splash Surface Treatment	
Salt Water Resistance	
EMI/RFI Shielding	
Motor Type	Brushless
Gear Set Material	Hardened Steel
Position Sensor	Potentionmeter
Position Feedback	Optional
Shielded Connecting Cable	

Dimensions

Case Dimensions	64*33*77.6mm
Weight	412g



舵臂尺寸图

