

Pressure, vacuum and  
differential pressure  
transmitter  
0 to 50 mbar



EDITION 07/2001

HUBA-REGISTERED TRADE MARK

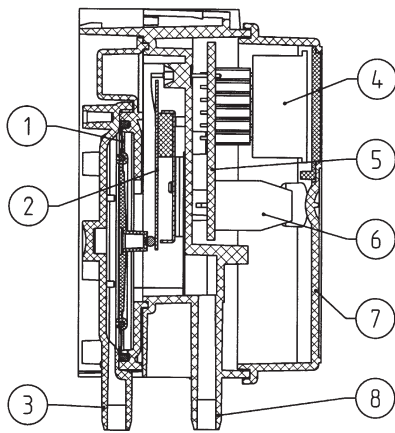
**Huba Control**

FOR FINE PRESSURE AND FLOW MEASUREMENT



EDITION 07/2001

The differential pressure transmitters of the Type 694 series incorporate a proved ceramic fulcrum lever technology. They deliver calibrated, temperature-compensated sensor signals, available as standard voltage or current outputs. They are ideal for registering low air flow in air conditioning systems and for the measurement of fine pressures in environmental, laboratory and clean-room applications (air and non-corrosive gases).



#### Legend to cross-section drawing

1 Diaphragm 2 Sensor element  
3 P1 higher pressure/lower vacuum  
4 Display 5 Amplifier electronics  
6 Connection terminals 7 Cover  
8 P2 lower pressure/higher vacuum

#### The distinct advantages

- Compact construction
- Fast, easy mounting.  
Housing incorporates integral bracket for wall or ceiling mounting. Snap-on cover with a single screw
- Available with or without LCD display
- Available with or without root-extracted output
- Attractive price/performance ratio

See order code selection table.

See order code selection table.

500 mbar

Linear output:

Zero point < +/- 0.7 % fs

(Type 0 – 1 mbar < +/- 1.0 % fs)

Linearity inclusive

hysteresis < +/- 1.0 % fs

(Type 0 – 1 mbar < +/- 2.0 % fs)

Total of linearity, hysteresis, repeatability and zero point:  
from - 50 to + 50 Pa  
< ± 3 Pa (3% FS)

Square-root extracted output:

Absolute error  
(from 2 ... 100 % pressure)

$$\leq \pm 0.3 \sqrt{\frac{p_{FS}}{p}} + 1.5 \text{ [% of full scale]}$$

Type 0 – 1 mbar:

$$\leq \pm 0.6 \sqrt{\frac{p_{FS}}{p}} + 1.5 \text{ [% of full scale]}$$

Fire classification to UL94

Cover: HB

Pressure housing complete: V-2

Two-component silicone LSR

Medium and ambient temperature  
0 °C to +70 °C

Storage temperature -10 to +70 °C

TC zero point with linear output:

$$< \pm 0.04 \text{ % fs/}^\circ\text{C}$$

with root-extracted output:

(from 2 ... 100 % pressure)

$$< \pm 0.06 \sqrt{\frac{p_{FS}}{p}} \text{ in % fs/}^\circ\text{C}$$

TC sensitivity

< +/- 0.02 % fs/°C

(linear and root-extracted)

For 1 mbar versions, multiply values by a factor of 2.5.

#### Dynamic response / Resolution

Suitable for dynamic measurements.

Response time < 10 ms

Load change < 10 Hz

Resolution:

1 mbar fs version:

< 0.2 % fs

3 to 50 mbar fs versions:

< 0.1 % fs

#### Pressure connections

Connection pipe Ø 6.2 mm

#### Weight

100 grams with display.

90 grams without display.

#### Installation arrangement

Vertical (factory calibrated),

Pressure connections downwards.

Effect of orientation, see facing page.

#### Output signal and power supply

See order code selection table.

Short circuit proof and protected against polarity reversal. Each connection against other with max. +/- supply voltage.

**Electromagnetic compatibility: CE conformity to EC directive 89/336 EEC (EMC) by application of harmonized standards IEC 61000-6-3 und EN 61000-6-2.**

#### Load impedance

3-wire cable:

0 ... 10 V > 10 kOhm

0 ... 20 mA < 400 Ohm

4 ... 20 mA < 400 Ohm

2-wire cable:

$$4 \dots 20 \text{ mA} < \frac{\text{supply voltage} - 11 \text{ V}}{0.02 \text{ A}} \text{ Ohm}$$

#### Current consumption

3-wire cable:

0 ... 10 V < 10 mA

0 ... 20 mA < 30 mA

4 ... 20 mA < 30 mA

2-wire cable: 4 – 20 mA

#### Electrical connection/Protection standard

Screw terminals for wire and stranded conductors up to 1.5 mm<sup>2</sup>. Cable gland with built-in strain relief Pg 11.

IP 00 without cover

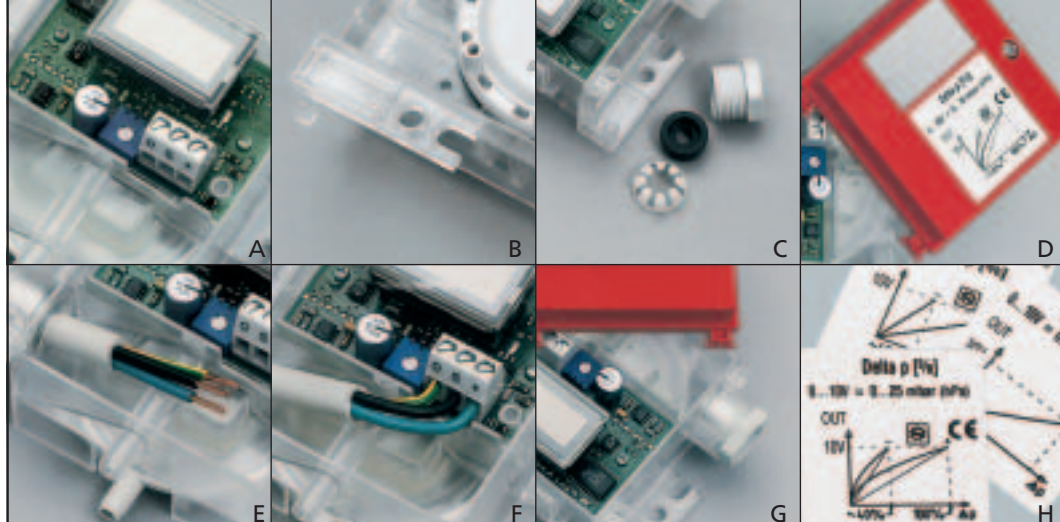
IP 54 with cover

#### Display

Liquid-cristal, 3 1/2 digit.

#### Accessories

See order code selection table.



- A – Potentiometer for scale end value
- B – Housing with built-in fixing brackets
- C – Pg gland with cable strain relief
- D – Self-retaining screw in cover
- E – Angled surface for easy cable entry
- F – Robust terminal strip suitable for No. 2 screwdriver
- G – Snap-removable cover
- H – Front-plate label with quick guide to functions

Versions

### Order code selection table

EDITION 07/2001

694

	9	X	X	X	X	X	X	X	X
<b>Pressure ranges<sup>2)</sup></b>									
<b>(Overload)</b>									
<b>Unit of pressure shown</b>									
<b>Output signal/ Full scale adjustment</b>									
<b>Outputs<sup>3)</sup> and power supply</b>									
<b>Δp display</b>									
<b>Pressure connections/ pressure orifices</b>									
<b>Connection kit with tube (2 m)</b>									

	mbar	p max. (+/-50)	Pa <sup>1)</sup>	p max.	InchH <sub>2</sub> O	p max. (+/-20)
<b>Pressure ranges<sup>2)</sup></b>	-0.5/+ 0.5	(50)	-50/+50	+5 000	-0.2/+0.2	(20)
<b>(Overload)</b>	0 ... 1	(50)	0 ... 100	5 000	0 ... 0.4	(20)
	0 ... 3	(50)	0 ... 300	5 000	0 ... 1.2	(20)
	0 ... 5	(100)	0 ... 500	10 000	0 ... 2	(40)
	0 ... 10	(100)	0 ... 100 (x10=Pa)	10 000	0 ... 4	(40)
	0 ... 16	(100)	0 ... 160 (x10=Pa)	10 000	0 ... 6.4	(40)
	0 ... 25	(200)	0 ... 250 (x10=Pa)	20 000	0 ... 10	(80)
	0 ... 50	(200)	0 ... 500 (x10=Pa)	20 000	0 ... 20	(80)
<b>Unit of pressure shown</b>	mbar				InchH <sub>2</sub> O	
	InchH <sub>2</sub> O				Pa	
<b>Output signal/ Full scale adjustment</b>	Output signal/LCD-Display		Full scale adjustable with potentiometer by customer			
	linear		No			1
	linear		Yes (at P = 40 ... 100%)			2
	with square root extraction		No			4
	with square root extraction		Yes (at P = 40 ... 100%)			3
<b>Outputs<sup>3)</sup> and power supply</b>	<b>OUT</b>		<b>IN</b>			
	0 ... 10 V 3-wire cable		13.5 ... 33 VDC / 24 VAC +/-15 %			1
	0 ... 20 mA 3-wire cable		13.5 ... 33 VDC / 24 VAC +/-15 %			3
	4 ... 20 mA 3-wire cable		13.5 ... 33 VDC / 24 VAC +/-15 %			4
	4 ... 20 mA 2-wire cable		11 ... 33 VDC			5
<b>Δp display</b>	Without Δp display					0
	Δp display in pressure unit (not for adjustable/square root extraction versions)					1
	Δp display as % fs					2
<b>Pressure connections/ pressure orifices</b>	Connection pipe Ø 6.2 mm		without pressure orifices			1
	Connection pipe Ø 6.2 mm		pressure orifice on P1			2
	Connection pipe Ø 6.2 mm		pressure orifice on P2			3
	Connection pipe Ø 6.2 mm		pressure orifice on P1 and P2			4
<b>Connection kit with tube (2 m)</b>	Without connection kit					0
	With connection kit		as Fig. 1 in individual packing			1
	With connection kit		as Fig. 2 in individual packing			2

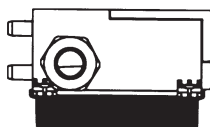
**Accessories** Connection set for vent duct  
Fig. 1 tube 2 m long  
Fig. 2 tube 2 m long

1 0 4 3 1 2  
1 0 0 0 6 4

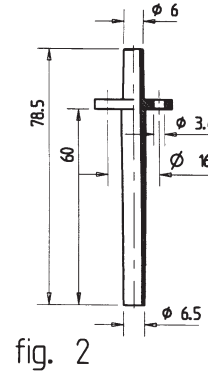
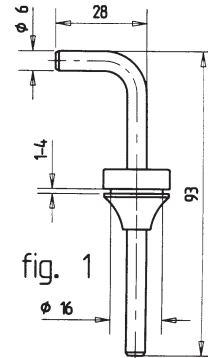
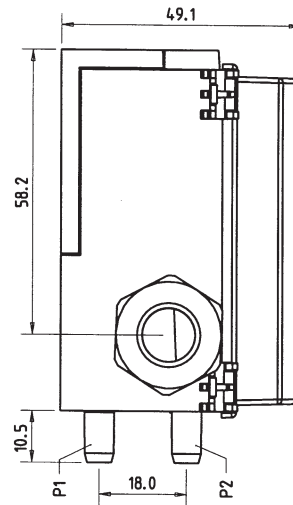
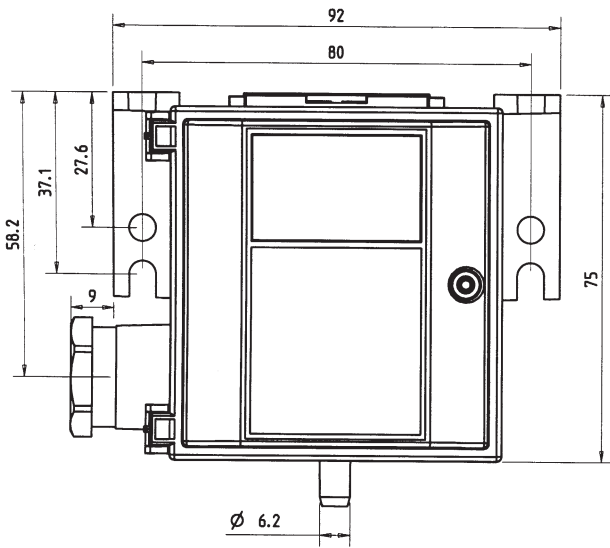
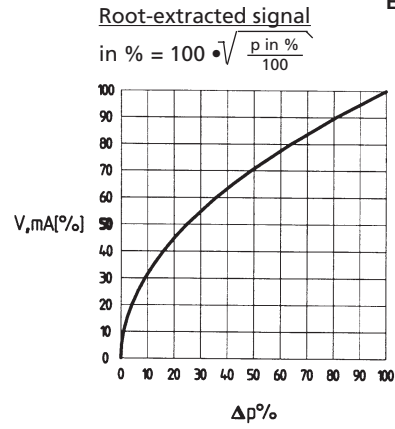
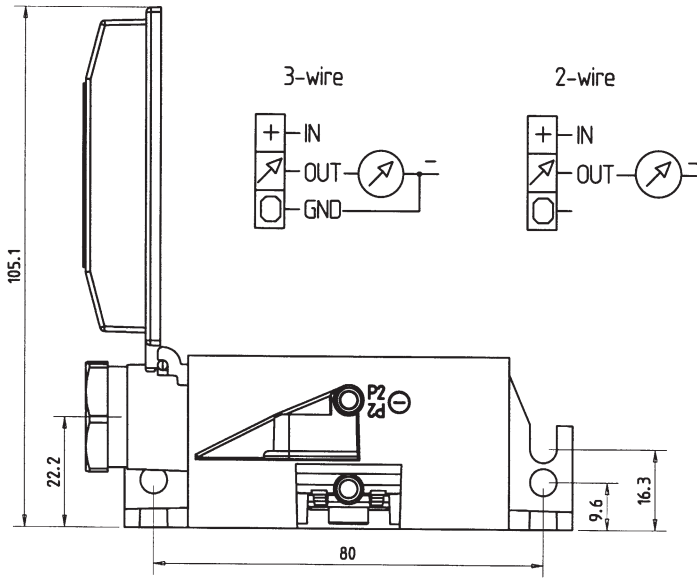
**Orientation** Recommended:  
Vertical, with pressure connections downwards (factory calibration). (± types forcible)

Horizontal with cover downwards. Signal approx. 10 Pa higher than actual pressure.

Horizontal with cover upwards. Signal approximately 10 Pa below actual pressure.



<sup>1)</sup> Pascal value displayed in LCD.  
<sup>2)</sup> Other pressure ranges on request.  
<sup>3)</sup> Other outputs on request.



**Electromagnetic compatibility:**

CE conformity to EC directive 89/336 EEC (EMC) by application of harmonized standards EN 50081-1 und EN 50082-2.

Type of interference/Interference susceptibility	Test standard	Effects
Electrostatic discharge ESD	EN 61000-4-2 8 kV air discharge / 4 kV contact discharge	No failure
High-frequency electromagnetic radiation (HF)	EN 61000-4-3 0.15 ... 80 MHz, 10 V/m	No effect
Fast transients (burst)	EN 61000-4-4 ± 2 kV	No failure
Surge	EN 61000-4-5 Line-Line: ± 1 kV Line-Ground: ± 2 kV	No failure
Conducted HF interference	EN 61000-4-6 80 ... 1000 MHz, 10 V <sub>RMS</sub>	No effect

Type of interference/Emitted interference	Test standard	Effects
Conducted interference	EN 55022 0.15 ... 30 MHz	None
Radiation from housing	EN 55022 30 ... 1000 MHz	None

Internet: [www.hubacontrol.com](http://www.hubacontrol.com)

**Huba Control Switzerland**  
**Headquarters**  
 Industriestrasse 17  
 CH-5436 Würenlos  
 Phone ++41 (0) 56 436 82 00  
 Fax ++41 (0) 56 436 82 82  
 e-mail: [info.ch@hubacontrol.com](mailto:info.ch@hubacontrol.com)

**Huba Control United Kingdom**  
 Unit 19 A Crawley Mill  
 Industrial Estate  
 GB-Witney Oxford OX29 9TJ  
 Phone 01 993 776 667  
 Fax 01 993 776 671  
 e-mail: [info.uk@hubacontrol.com](mailto:info.uk@hubacontrol.com)

**Huba Control France**  
 e-mail: [info.fr@hubacontrol.com](mailto:info.fr@hubacontrol.com)  
**Huba Control Germany**  
 e-mail: [info.de@hubacontrol.com](mailto:info.de@hubacontrol.com)  
**Huba Control Netherlands**  
 e-mail: [info.nl@hubacontrol.com](mailto:info.nl@hubacontrol.com)

Agent for: