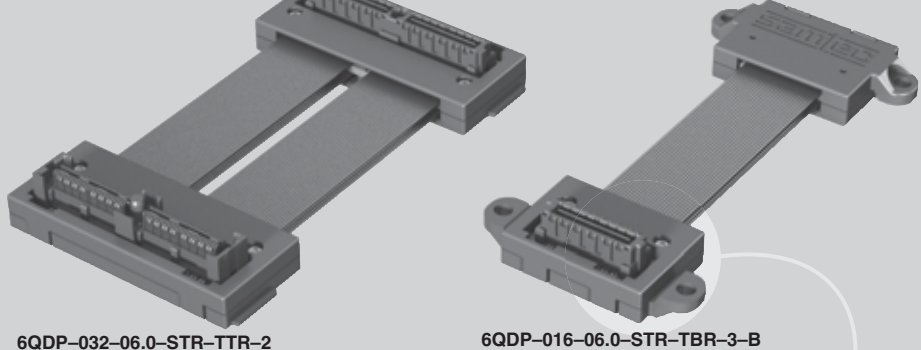




(0,635 mm) .025"

6QDP SERIES



6QDP-032-06.0-STR-TTR-2

6QDP-016-06.0-STR-TBR-3-B

HIGH SPEED TWINAX CABLE ASSEMBLIES

SPECIFICATIONS

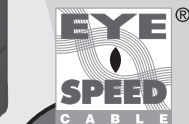
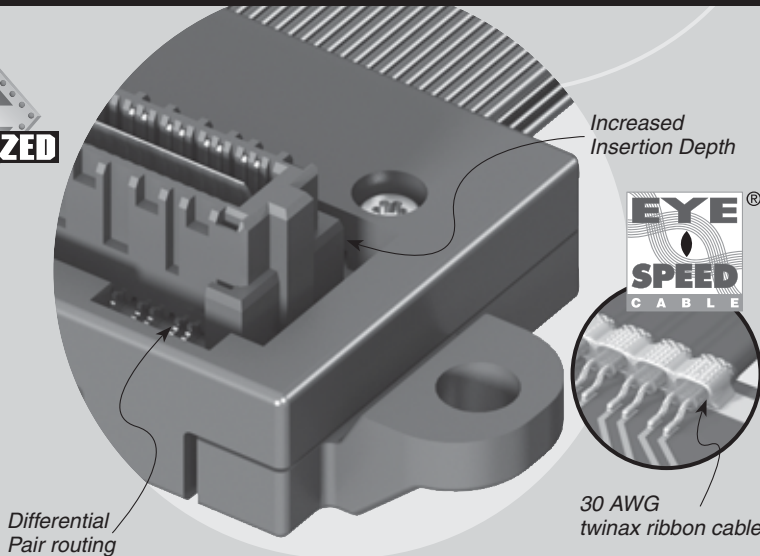
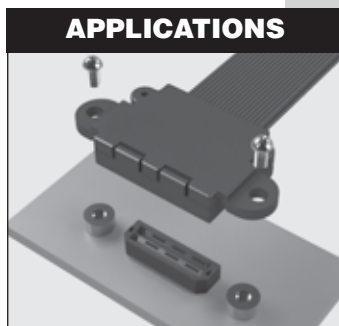
For complete specifications see www.samtec.com?6QDP

- Cable:**
30 AWG
twinax micro ribbon
- Signal Routing:**
100Ω Differential
- Cable Bending Radius:**
(11,11 mm) 7/16" min
- Plating:**
Au over 50μ" (1,27 μm) Ni
- Current Rating:**
700 mA per pin
(6 adjacent pins powered)
- Propagation Delay:**
4.67 nsec/meter
- Operating Temp Range:**
-40°C to +105°C
- Skew (pair-to-pair):**
<10 ps/ft
- Skew (within a pair):**
<5 ps/ft
- EMI Performance:**
FCC Class A
- RoHS Compliant:**
Yes

Mates with:
QMS-DP, QFS-DP



APPLICATIONS



APPLICATIONS



Processing conditions will affect mated height.

ALSO AVAILABLE (MOV Required)

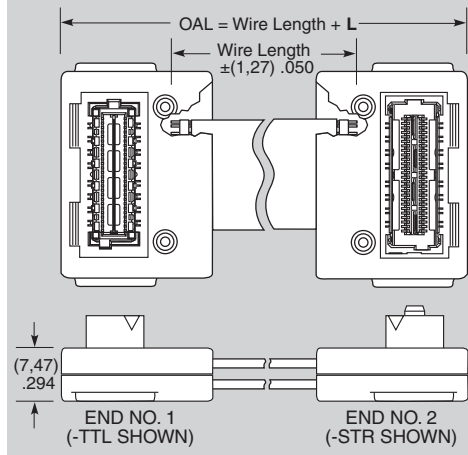
- Other pin counts
 - Other terminations
- Contact Samtec.

Note:
Cable lengths longer than 40.00" (1 meter) are not supported with S.I. test data.

Note:
Design your High Speed Cable with Samtec's High Speed Cable Solutionator® at www.samtec.com/hdr

Note:
This Series is non-standard, non-returnable.

TYPE	NO. OF PAIRS	WIRE LENGTH	END NO. 1	END NO. 2	WIRING OPTION	SCREW OPTION
6QDP = Unshielded mates with QMS-DP/QFS-DP	-016, -032, -048, -064	- "XX.X" = Wire Length in Inches (43,7 mm) 01.7" minimum	Specify END ASSEMBLIES from chart		-1 = Pin 1 to Pin 1 -2 = Pin 1 to Pin 2 -3 = Pin 1 to Second Last Pin -4 = Pin 1 to Last Pin	Leave blank for no Screw Option -F = End No. 1 -S = End No. 2 -B = Both Ends
		END TO END Surface Mount to Surface Mount	L (23,88) .940			



SURFACE MOUNT		
ASSEMBLY	END 1	END 2
-TTR = Terminal, Top, Notch Right		
-TTL = Terminal, Top, Notch Left		
-TBR = Terminal, Bottom, Notch Right		
-TBL = Terminal, Bottom, Notch Left		
-STR = Socket, Top, Notch Right		
-STL = Socket, Top, Notch Left		
-SBR = Socket, Bottom, Notch Right		
-SBL = Socket, Bottom, Notch Left		

WIRING REQUIREMENTS	
WIRING OPTION	END OPTIONS
1 or 2	TTR, TBL, STL, SBR to TTR, TBL, STL, SBR or TTL, TBR, STR, SBL to TTL, TBR, STR, SBL
3 or 4	TTL, TBR, STR, SBL to TTR, TBL, STL, SBR or TTR, TBL, STL, SBR to TTL, TBR, STR, SBL

Due to technical progress, all designs, specifications and components are subject to change without notice.

WWW.SAMTEC.COM