

**Electrical:**

100VA  
 Maximum voltage 42VDC  
 Contacts: silver nickel alloy.  
 Gold contacts may be required for less than 12VDC & 20 milliamp.

**Switch Type:**

Creep Action

**Protection:**

Switch sealed IP65 except Exposed terminals.  
 IP68 Available.

**Temperature Range:**

-20°F to 180°F (-29°C to 82°C)

**Mechanical Range:**

1,000,000 cycles @ 1000 psi (70 BAR)

**Diaphragm Material:**

Nitrile  
 (Optional Viton®, EPDM, HNBR)

**Housing Material:**

Zinc Plated steel. ROHS compliant  
 Optional 316SS

**Maximum Overpressure:**

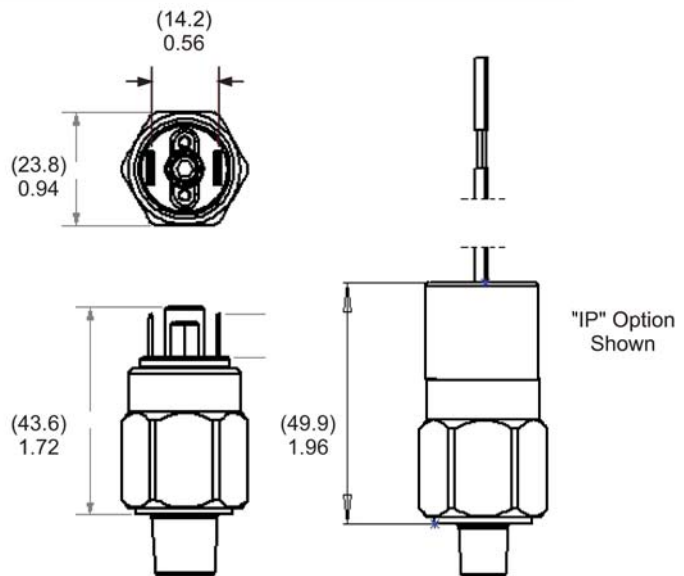
9000 PSI (600 BAR)

**Repeatability:**

+/-3% of full setpoint range

**Weight:**

0.15lbs. (0.07 Kg) max



Model	Adjustment Range	
	PSI	Bar
2	20-120	1.38 - 8
3	90-250	6.20 - 17
4	250-950	17 - 65
5	700-1900	48 - 130
6	1000-3000	68 - 205

**Ordering Information:**

SKBA-	2-	4M-	A-	SP-	1
SKBA-	See Adjustment	2M - 1/8" NPT	A -	FL- Flying leads, 18"	Blank (standard)
Field Adjustable	Range above	4M - 1/4" NPT	SPST/NC	SP- 1/4" Spades	1. Viton Diaphragm
SKBF-	or state factory	2G - 1/8" BSPP	B -	TS- Terminals screw	2. EPDM Diaphragm
Factory Set	set point	4G - 1/4" BSPP	SPST/NO	DR- Deutsch Integral	3. 316SS
		4S - 7/16"-20 SAE			7. Gold Contact
		6S - 9/16"-18 SAE			IP. IP68 Cap
		M10 - M10 X 1.0			SR. Snubber
		M12 - M12 X 1.5			