

**Electrical:**

5 A 12/24 VDC-125 VAC

3 A 250 VAC

Gold contacts may be required for less than 12VDC & 20 milliamp

**Switch Type:**

Snap Action

**Protection:**

DIN 43650A-IP65 Terminals-IP00

**Temperature Range:**

-20°F to 180°F (-29°C to 82°C)

**Mechanical Range:**

1,000,000 Cycles

**Diaphragm Material:**

Nitrile (Optional Viton & EPDM)

**Housing Material:**

Brass

**Maximum Overpressure:**

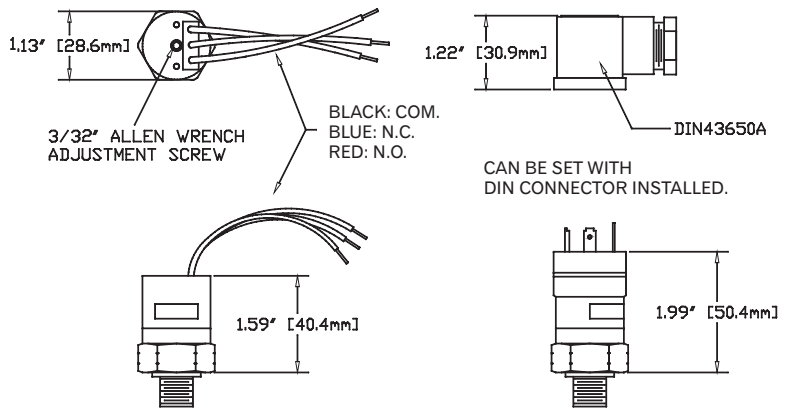
350 PSI (25 BAR)

**Repeatability:**

+/- 2% of full set point range

**Weight:**

0.26 lbs. (0.12 Kg.) max



Model	Adjustment Range		Average Differential	
	Hg	MilliBar	Hg	MilliBar
1	5-30"	160-1000	2-4"	67-133

**Ordering Information:**

SVA-	1	4M-	C-	H-	1
SVA - Field Adjustable	See Adjustment Range above or state factory set point	2M - 1/8"NPT 4M - 1/4"NPT 4G - 1/4"BSPP	A - SPST/NO B - SPST/NC C - SPDT	FL - Flying leads, 18" HC - DIN Cable Clamp HC - 5A DIN Light 12 VDC HC - 5B DIN Light 24 VDC HC - 5C DIN Light 110/230 VAC HN - DIN 1/2" Conduit (Female) H - DIN43650A male half only SP - 1/4" Spades	Blank (standard) 1. Viton 2. EPDM 3. SS Housing 7. Gold Contact 9. Wide deadband (reduced range to 10/30 Hg)
SVF - Factory set		4S - 7/16"-20SAE 4SLN - "+Swivel 6S - 9/16"-18SAE			

Note: For other port thread sizes, electrical terminations and ranges, see page 20.